

BaanERP (Grieg SP4 and Corelli)

**Definition of BEMIS V INV001A Import
and Export File for the EDI Business
Document Trading Invoices
(Sales/Warehouse & Purchase)**

A publication of:

Baan Development B.V.
P.O.Box 143
3770 AC Barneveld
The Netherlands

Printed in the Netherlands

© Baan Development B.V. 2000.
All rights reserved.

The information in this document is subject to change without notice. No part of this document may be reproduced, stored or transmitted in any form or by any means, electronic or mechanical, for any purpose, without the express written permission of Baan Development B.V.

Baan Development B.V. assumes no liability for any damages incurred, directly or indirectly, from any errors, omissions or discrepancies between the software and the information contained in this document.

Document Information

Code: U7363B US
Group: User Documentation
Edition: B
Date: February, 2000

Table of contents

About this document	iv
Differences between Grieg and Corelli	iv
1. General principles	1-1
Available kinds of data records	1-1
Branching diagramm	1-2
Key fields outgoing	1-4
Key fields incoming	1-5
Business Partner Relations	1-6
Network directories	1-6
BEMIS V Messages - Conventions	1-8
What is new in comparison to BEMIS for BAAN IV	1-11
2. Data record description by kind of data record	2-1
SA1 MESSAGE OVERHEAD	2-1
SA2 TRADING INVOICE HEADER	2-12
SA3 SPECIFIC INVOICE ADDRESSES	2-57
SA4 TRADING INVOICE TEXT	2-75
SA5 TRADING INVOICE TAX LINES	2-84
SA6 TRADING INVOICE LINES	2-93
SA7 TRADING INVOICE LINE SPECIFIC ADDRESSES	2-126

About this document

This documentation describes in a detailed way the standard inhouse data formats, which the BAAN Electronic Message Interchange System BEMIS V requires as interfaces to the respective EDI Sub-System.

The documentation is intended for developers of EDI Sub-Systems, which want to realize an interface of their software to BaanERP. Furthermore, it supports consultants, who want to implement and verify such an interface within a customer project.

Chapter 1 gives an overview over the general principles of the relevant EDI message. For example available kinds of data records, message structure, key fields and other conventions.

Chapter 2 describes all corresponding kinds of data records for the EDI message in a detailed way. All data fields are listed in an overview table in connection with the corresponding table fields. In addition, every single field is described in a more detailed way. You will find information about the general conditions, which you need to observe for the processing in the EDI Sub-System or in BaanERP.

Differences between Grieg and Corelli

In comparison to BaanERP Grieg the data model has been changed only in some details. The effect regarding the Business Document INV001 A is nearly meaningless:

outgoing:

SA2.42: Code for the Sales Department in Corelli not available

incoming:

S2.11: Field Format was changed from an..30 to an..32

1. GENERAL PRINCIPLES

This section describes the BAAN EDI inhouse format for the message type *Trading Invoice* for Sales / Warehouse orders (outgoing) and Purchase orders (incoming).

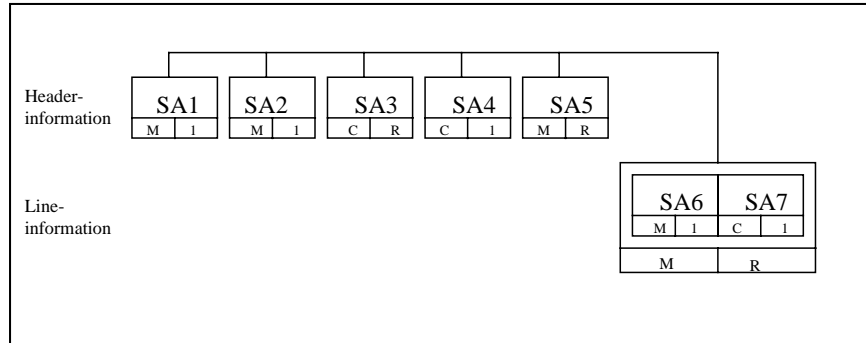
Available kinds of data records

The use of the following kinds of data records is conditional (C) respectively mandatory (M), when you transmit information about invoices.

Id	Status	Name
SA1	M	Overhead
SA2	M	Trading Invoice Header
SA3	M	Tading Invoice Specific Adresses
SA4	C	Trading Invoice Text
SA5	C	Trading Invoice Tax Lines
SA6	M	Trading Invoice Lines
SA7	C	Trading Line Spezific Adresses

Branching diagramm

The following data record structure is used for the message type BEMIS – Trading Invoice:



Legend:

Status:

M: mandatory in message

C: conditional in message

Frequency:

1: once by message

R: repeatable by message

Definition of BEMIS V INV001A Import and Export File for the EDI Business Document Trading Invoices (Sales/Warehouse & Purchase)

1-2

For example, for two required orders with each two lines the BEMIS V file has the following structure:

SA1 ...	BaanERP Overhead
SA2 ...	Trading Invoice Header 1
SA3 ...	Trading Invoice Specific Addresses Invoice 1
SA4 ...	Trading Invoice Text Invoice 1
SA5 ...	Trading Invoice Tax 1 Lines Invoice 1
SA5 ...	Trading Invoice Tax 2 Lines Invoice 1
SA6 ...	Trading Invoice Line 1 Invoice 1
SA7 ...	Trading Invoice Line 1's Specific Address
SA6 ...	Trading Invoice Line 2 Invoice 1

...

SA1 ...	BaanERP Overhead
SA2 ...	Trading Invoice Header 2
SA3 ...	Trading Invoice Specific Addresses Invoice 2 (Del.)
SA3 ...	Trading Invoice Specific Addresses Invoice 2 (Inv.)
SA4...	Trading Invoice Text Invoice 2
SA5 ...	Trading Invoice Tax 1 Lines Invoice 2
SA5 ...	Trading Invoice Tax 2 Lines Invoice 2
SA6 ...	Trading Invoice Line 1 Invoice 2
SA6 ...	Trading Invoice Line 2 Invoice 2
SA7 ...	Trading Invoice Line 2's Delivery Address

Each order has one or more derived invoices. But, it is not possible to generate or receive an invoice for more than one order per invoice number with this message type.

Definition of BEMIS V INV001A Import and Export File for the EDI Business Document Trading Invoices (Sales/Warehouse & Purchase)

Key fields outgoing

The following structure of the key fields is used to determine the related data records of an invoice message:

Kind of data record	Key field 1	Key field 2	Key field 3	Key field 4	Key field 5	Key field 6
SA1	Message Reference	Identification of the Sender	Identification of the Receiver			
SA2	Message Reference	Identification of the Sender	Trading Invoice Number Part 1	Trading Invoice Number Part 2		
SA3	Message Reference	Identification of the Sender	Trading Invoice Number Part 1	Trading Invoice Number Part 2		
SA4	Message Reference	Identification of the Sender	Trading Invoice Number Part 1	Trading Invoice Number Part 2		
SA5	Message Reference	Identification of the Sender	Trading Invoice Number Part 1	Trading Invoice Number Part 2		
SA6	Message Reference	Identification of the Sender	Trading Invoice Number Part 1	Trading Invoice Number Part 2	Trading Invoice Line Number	Trading Invoice Sequence Number
SA7	Message Reference	Identification of the Sender	Trading Invoice Number Part 1	Trading Invoice Number Part 2	Trading Invoice Line Number	Trading Invoice Sequence Number

Definition of BEMIS V INV001A Import and Export File for the EDI Business Document Trading Invoices (Sales/Warehouse & Purchase)

Key fields incoming

The following structure of the key fields is used to determine the related data records of an invoice message:

Kind of data record	Key field 1	Key field 2	Key field 3	Key field 4	Key field 5	Key field 6
SA1	Message Reference	Identification of the Sender	Identification of the Receiver			
SA2	Message Reference	Identification of the Receiver	Trading Invoice Number Part 1	Trading Invoice Number Part 2		
SA3	Message Reference	Identification of the Receiver	Trading Invoice Number Part 1	Trading Invoice Number Part 2		
SA4	Message Reference	Identification of the Receiver	Trading Invoice Number Part 1	Trading Invoice Number Part 2		
SA5	Message Reference	Identification of the Receiver	Trading Invoice Number Part 1	Trading Invoice Number Part 2		
SA6	Message Reference	Identification of the Receiver	Trading Invoice Number Part 1	Trading Invoice Number Part 2	Trading Invoice Line Number	Trading Invoice Sequence Number
SA7	Message Reference	Identification of the Receiver	Trading Invoice Number Part 1	Trading Invoice Number Part 2	Trading Invoice Line Number	Trading Invoice Sequence Number

Definition of BEMIS V INV001A Import and Export File for the EDI Business Document Trading Invoices (Sales/Warehouse & Purchase)

Business Partner Relations

Outgoing Invoice		Incoming Invoice	
Identification of the sender	ecedi020.neta	Invoice-From BP Code	tdsls400.ifbp

Network directories

The so-called network directories form the basis of the communication between the EDI Sub-System and BaanERP. These directories are established in BAAN. The network basis directories for each network will be defined in the BAAN session SEecedi0120m000. For the network BEMISV, the basis directories can be indicated in the following way:

/auto3/baanerp/bemis5/order/

Baan will additionally create the following subdirectories:

/auto3/ baanerp /bemis5/invoice/appl_from/
/auto3/ baanerp /bemis5/invoice/appl_to/
/auto3/ baanerp /bemis5/invoice/command/
/auto3/ baanerp /bemis5/invoice/store_rcv/
/auto3/ baanerp /bemis5/invoice/store_sent/
/auto3/ baanerp /bemis5/invoice/trace/

The above mentioned directories have the following function:

- 1 .../appl_from/:** In this directory, BaanERP records the outgoing messages which are the defined BEMIS V inhouse format files. The EDI Sub-System can collect them from here.
- 2 .../appl_to/:** The EDI Sub-System writes the incoming message into this directory in the BaanERP inhouse format.
- 3 .../command/:** Directory of the semaphores.
- 4 .../store_rcv/:** BaanERP stores in this directory processed incoming messages, if the configuration is accordingly. During this process an additional subdirectory by incoming message file will be created which is named with a date and time stamp indicating when the message was moved.

- 5 **.../store_sent/:** BaanERP stores in this directory processed outgoing messages if the configuration is accordingly. During this process an additional subdirectory by incoming message file will be created which is named with a date and time stamp indicating when the message was moved.
- 6 **../trace/:** BaanERP creates under this directory a log of the incoming and outgoing messages in the processing order, if the configuration is accordingly.

For every message type one network directory will be used for outgoing and one for incoming messages. This means that one message file contains data for several business partners.

The file name of the BEMIS V inhouse format file of the trading invoice, which is being described in this documentation, is defined in the following way:

Direction	File name	Network directory
outgoing	inv001.txt	../appl_from
incoming	inv001.txt	../appl_to

BEMIS V Messages - Conventions

The following general rules apply to a message record in a BEMIS V message file:

- 1 Every message record starts with "SAX"
- 2 Every message record ends with "SAX_END"
- 3 The length of a data record can vary.
- 4 The message record must consist of all fields, even if not every field contains a value.
- 5 The fields in the file must be separated by a ; .
- 6 A filled string field have to be put in "...".

In the following sections you will find the format descriptions for the individual kinds of data records of the interface file. The table contains the following data:

<i>INVOICE INHOUSE FORMAT</i>				
<i>Pos.</i>	<i>FIELD DESCRIPTION</i>	<i>Key</i>	<i>ST</i>	<i>FM</i>

The first block of the table describes the format of a kind of data record:

Pos.	Position of the field in the data record
Field description	Description of the field
Key	Key field outgoing (O) / incoming (I)
ST	Field status mandatory (M) / conditional (C)
FM	Field format
	an..14 alphanumerical field with a maximum of 14 characters
	an14 alphanumerical field with exactly 14 characters
	n..10 numerical field with a maximum of 10 characters
	n1 numerical field with exactly 1 character

<i>Mapping from Application Table Fields (Out)</i>		<i>Mapping to Application Table Fields (In)</i>	
<i>Table Field</i>	<i>Action</i>	<i>Table Field</i>	<i>Action</i>

The second block of the table describes the corresponding table field in BaanERP as well as possible special actions, which will be carried out during the processing of the messages.

Following the table overview, every field is described in a more detailed way, including information about the processing in the EDI Sub-System and in BaanERP.

In the past, there seemed to be some doubts about the way BAAN points out a position within the message file. Here are some additional explanations:

As defined in BEMIS V a position within a message file is pointed out using two semikolons.

To draw an example: "Sax";...;Position;...;"Sax_END"

If an position in a BEMIS V Message File is not taken by a value (this means the position is empty), the position is pointed out as shown above. Moreover the BAAN EDI Module distinguishes between numerical and alphanumerical data format. If a position defined as numerical is empty the position is pointed out using semikolons. On the other hand empty alphanumerical positions are

exported in two way. The first way is to point out a position using the semicolons. The second way BAAN exports empty alphanumerical positions is to write two inverted commands within the position. This depends whether the alphanumerical field exists in BAAN's database or not. Finally we take a look at the following example:

empty numerical Position:

"SAX";...;;...;"SAX_END"

empty alphanumerical Position:

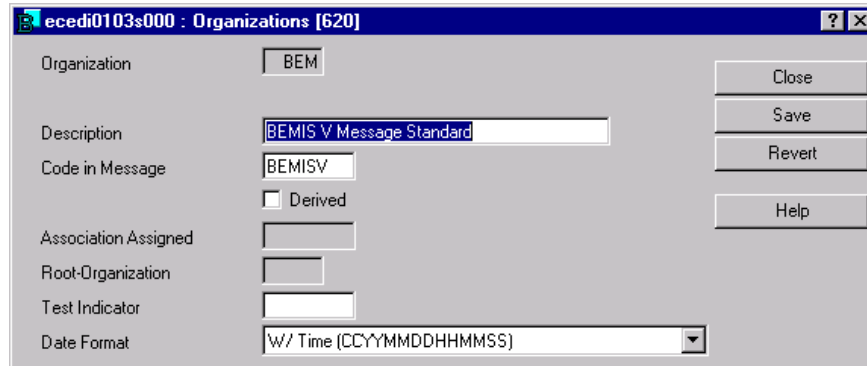
"SAX";...;;...;"SAX_END"

or

"SAX";...;"";...;"SAX_END"

What is new in comparison to BEMIS for BAAN IV

1. The Overhead has been changed. Please look Chapter 2 for more details.
2. Furthermore the positions of the rest of the data records has been restructured.
3. Comming with BEMIS V we have to introduce a new date / time format. The new date format consists of at maximum 14 digits as shown here.



The screenshot shows a dialog box titled "ecedi0103s000 : Organizations [620]". It contains several input fields and a list of buttons. The fields are: Organization (BEM), Description (BEMIS V Message Standard), Code in Message (BEMISV), Association Assigned (empty), Root-Organization (empty), Test Indicator (empty), and Date Format (W/ Time (CCYYMMDDHHMMSS)). The buttons are Close, Save, Revert, and Help.

The new format is now: CCYYMMDDHHMMSS. The date / time information is put as an numerical field to the position within the message.

4. Comming with BEMIS V, we introduce a new message naming and versioning:

- a) Each message type is named by abbreviation and its version number.

To draw an example:

INV 001

Message Type:

INV for TRADING INVOICE

Version: 1

- b) It is possibel to define different releases to one message, e.g. Release A, B,... a.s.o.

Example: To draw an example: INV001A for an INVOICE

Release

ecedi0105s000 : EDI Messages [620]

EDI Message: INV001

Description: BEMIS Trading Invoice Vers01

Library Incoming: otfacpd11250 Receive Purchase Invoices

Library Outgoing: ocisidl12003 Generate Sales Invoices

Release Type: [Dropdown]

Incoming Message Data

Processing Type: Automatic

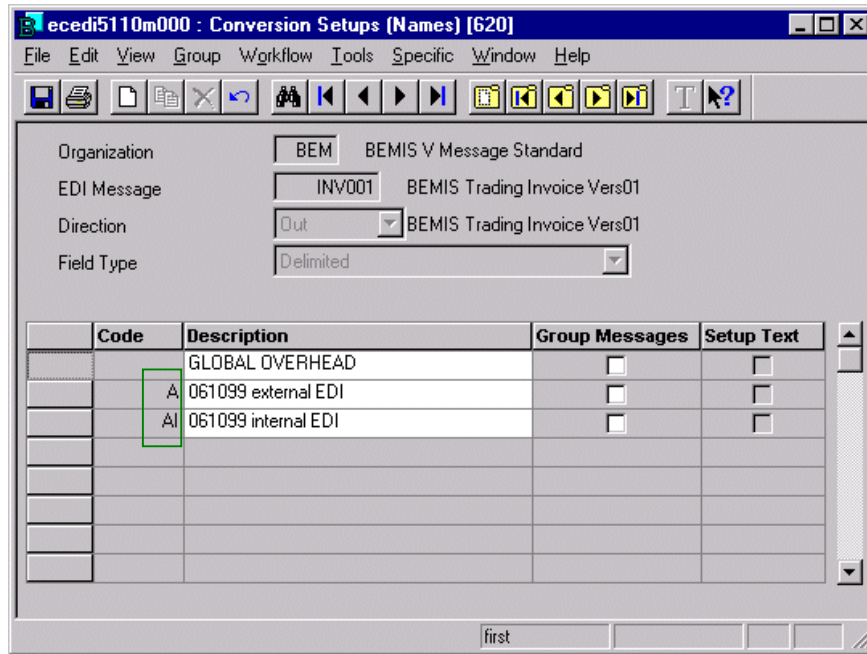
File Layout: [Dropdown]

Level Identification Position: 1

Level Identification Length: 3

Buttons: Close, Save, Revert, Help

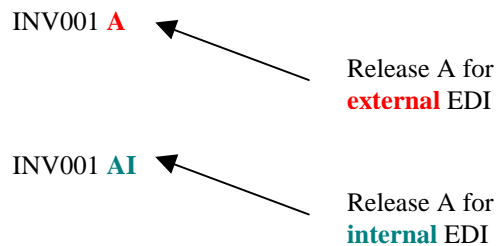
Definition of BEMIS V INV001A Import and Export File for the EDI Business Document Trading Invoices (Sales/Warehouse & Purchase)



In case of adding new positions to message type a new version will be released.

We have the aim that the BEMIS V Message standard fits to needs of external and internal EDI. Hence we decided to deliver two different conversion setups for one release. One for external EDI and one for internal EDI. The conversion setup for internal EDI gets additionally the extension “I”. The structure is the same. For the internal EDI a conversion is only for the business partner codes necessary. Therefore the setup for the internal EDI has a minimum of conversions. It is also possible to use the internal setup for external EDI and the other way around if additionally conversion is needed or not.

To draw an example:



Definition of BEMIS V INV001A Import and Export File for the EDI Business Document Trading Invoices (Sales/Warehouse & Purchase)

5. Incoming and outgoing messages have now the same file name.
6. The name of the message file is now depended from the message version.
7. Alternative Items / Item Code Systems

In comparison to BAAN IV the conversion of the Item Codes (customer's item code) has been changed.

BEMIS V comes with two predefined qualifiers in order to determine the internal item code. The Item Code Id's are used in order to distinguish between a general item conversion and a conversion which is business partner related.

Therefore two Codes for the Item System are defined.

Looking at BaanERP Common data we will find the used table to translate the item codes:

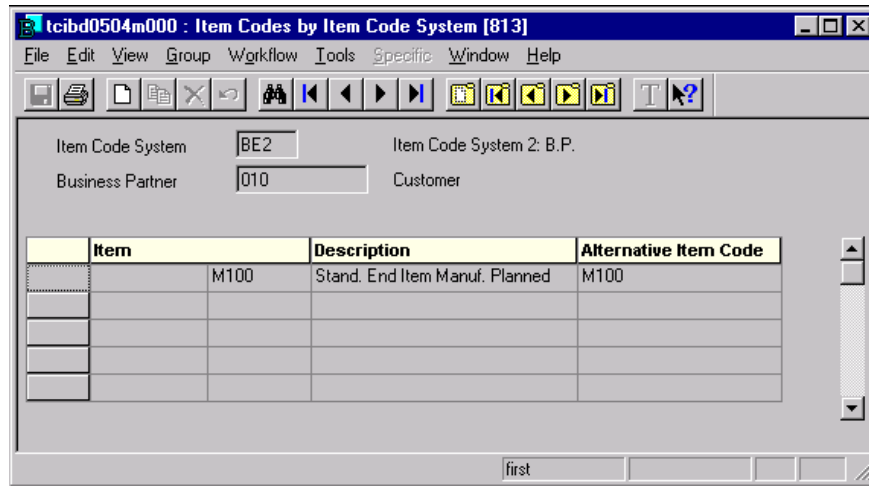
- a) General Code System:

The screenshot shows a BaanERP window titled "ecedi2132m000 : Item Code IDs [620]". The window has a menu bar (File, Edit, View, Group, Workflow, Tools, Specific, Window, Help) and a toolbar with various icons. Below the toolbar, there is a section for "Organization" with a dropdown menu set to "BEM" and the text "BEMIS V Message Standard". The main area contains a table with the following data:

Code in Message	Description	Item Code System
SA	Std. BP BEMIS Item Code ID	020
ZZ	Std General BEMIS Item Code ID	010

Definition of BEMIS V INV001A Import and Export File for the EDI Business Document Trading Invoices (Sales/Warehouse & Purchase)

b) Business Partner specific Code System:



The exported BaanERP Item Code is a string with at maximum 47 digits. At minimum the item code contains 10 digits. To draw an example: “.....1” (nine leading blanks and at minimum one sign).

**Definition of BEMIS V INV001A Import and Export File for the EDI Business Document Trading
Invoices (Sales/Warehouse & Purchase)**

1-16

2. DATA RECORD DESCRIPTION BY KIND OF DATA RECORD

SA1 MESSAGE OVERHEAD

Status: Mandatory

Frequency: Once per invoice

Description: This data record contains information about the transmitter, the message type and the time of the transmission. The message reference identifies all related data records of this message.

<i>INVOICE INHOUSE FORMAT</i>					<i>Mapping from Application Table Fields (out)</i>		<i>Mapping to Application Fields (in)</i>	
<i>Pos</i>	<i>FIELD DESCRIPTION</i>	<i>Key</i>	<i>ST</i>	<i>FM</i>	<i>Table Field</i>	<i>Action</i>	<i>Table Field</i>	<i>Action</i>
1.	Kind of data record	O/I	M	an3	SA1		SA1	
2.	Message reference	O/I	M	an..14	ecedi701.bano	Generation (see below)	ecedi702.bano	Generation by EDI Sub-System
3.	Identification of the Sender	O/I	M	an..17	ecedi020.neta	Conversion (see below)	ecedi702.bpid	Conversion (see below)
4.	Identification of the Reciever	O/I	M	an..17	ecedi028.neta	Conversion (see below)		
5.	Message		M	an..6	ecedi001.code	Conversion (see below)	ecedi702.mess	Conversion (see below)
6.	Organization		M	an..6	ecedi003.code	Conversion (see below)	ecedi702.orga	Conversion (see below)
7.	Order type		M	an..35	ecedi011.koor	Conversion (see below)	ecedi702.koor	Conversion (see below)

Definition of BEMIS V INV001A Import and Export File for the EDI Business Document Trading Invoices (Sales/Warehouse & Purchase)

Data record **description by kind of data record**

<i>INVOICE INHOUSE FORMAT</i>					<i>Mapping from Application Table Fields (out)</i>		<i>Mapping to Application Fields (in)</i>	
<i>Pos</i>	<i>FIELD DESCRIPTION</i>	<i>Key</i>	<i>ST</i>	<i>FM</i>	<i>Table Field</i>	<i>Action</i>	<i>Table Field</i>	<i>Action</i>
8.	Transmission reference		M	an..20	cisli205.idoc		ecedi702.msno	
9.	Date / Time of transmission		M	n..14	current date / time		ecedi702.send	
10.	Transmission reference old		C	an..20	empty position (...;...)		ecedi702.pno	
11.	Identification of the technical message creator		C	an..35	“BAANERP”			
12.	Identifier of Test Messages		C	an1	ecedi003.test	empty means original message; 1 means Test message	ecedi702.test	empty means original message; 1 means Test message
13.	Message Function		C		empty	not supported for outgoing messages	ecedi702.mest	leave the position empty this means: ...;...
14.	Data record end sign		M	an7	SA1_END		SA1_END	

Definition of BEMIS V INV001A Import and Export File for the EDI Business Document Trading Invoices (Sales/Warehouse & Purchase)

Detailed description: Trading Invoice
Kind of data record: SA1 Overhead

Position	1	Field format	an3	Field status	M
Field name		Kind of data record		(Key field out/in)	

Description: This field identifies the kind of data record in the message block. It contains the constant value 'SA1'.

Processing outgoing

EDI Sub-System: .

BAAN: This field will be filled with the constant value 'SA1'.

Processing incoming

EDI Sub-System: This field will be filled with the constant value 'SA1'.

BAAN: None

Position	2	Field format	an..14	Field status	M
Field name		Message reference		(Key field out/in)	

Description: This field identifies all connected data records of one invoice. The numbering, which has to be clear by invoice, helps to control the chronological order of the invoices and the complete transmission. The field consists of a fix item with four characters, the current date (format: YYMMDD) and a serial number with four characters.

The special format will be defined in the network parameters in the BAAN table

TBecedi020. When generating the message reference with the EDI Sub-System, the created message reference needs to be specific, that means unique. While storing the message reference BAAN controls whether it is specific.

Processing outgoing

EDI Sub-System:

BAAN: BAAN generates this number to identify an invoice, stores it in the BAAN table field TFecedi701.bano and writes it into all data records of an invoice.

Processing incoming

EDI Sub-System: The EDI Sub-System generates this number to identify an invoice and writes it into all data records of an invoice.

BAAN: Mapping to BAAN table field TFecedi702.bano.

Position	3	Field format	an..17	Field status	M
Field name	Identification of the sender		(Key field out/in)		

Description: This field contains the identification of the sender (e.g. the ILN Number)

Processing outgoing

EDI Sub-System: Transmission of the value from the message file.

BAAN: The identification is stored in the BAAN table TBecedi020 'Our Identification' under the corresponding network in the BAAN table field TFecedi020.neta. The contents of this field is mapped to the position of the transmission file. Here you can store the general ILN-Number for

your customer.

Processing incoming

EDI Sub-System:

BAAN: The identification of the sender determines the corresponding business partner (customer) and the network in the table TBecedi028 'Relations by network'. This identification is mapped to the BAAN table field TFecedi702.bpid.

Position	4	Field format	an..17	Field status	M
Field name	Identification of the receiver (Key field out/in)				

Description: This field contains the identification of the receiver.

Processing outgoing

EDI Sub-System:

BAAN: The identification of the receiver (e.g. the ILN of the receiver) in the used network is entered in the table TBecedi028. The BAAN table field TFecedi028.neta is mapped to this position.

Processing incoming

EDI Sub-System: Transmission of the value from the message file.

BAAN: On the incoming side this field will be ignored.

Position	5	Field format	an..6	Field status	M
Field name	Message				

Description: This field contains the code for the identification of the concerned message. The code for the message type 'Invoice' is INV001.

Processing outgoing

EDI Sub-System:

BAAN: The internal message code ecedi001.code 'INV001' of the BAAN table TBecedi001 'Supported EDI messages' is mapped to this position.

Processing incoming

EDI Sub-System: This field will be filled with the constant value 'INV001'.

BAAN: The message code in the table TBecedi001 'Supported EDI Messages' determines, which internal message in BAAN is connected to this order. In the BAAN table TBecedi005 'EDI Messages' is determined for every message which session (DII) is used in BAAN to process the order. The message code is mapped to the BAAN table field TFecedi702.mess.

Position	6	Field format	an..6	Field status	M
Field name		Organization			

Description: This field contains the organization (Standard), which is used for the EDI communication.

Processing outgoing

EDI Sub-System:

BAAN: The internal organisation code ecedi003.code 'BEMISV' from the BAAN table TBecedi003 'Organizations' is mapped to this position.

Processing incoming

EDI Sub-System: This field will be filled with the constant value 'BEMISV'.

BAAN: Mapping to BAAN table field TFecedi702.org.
The corresponding organization must have been

entered into the BAAN table TBecedi003.

Position	7	Field format	an..35	Field status	M
Field name	Order type				

Description: This field contains a code for the concerned Order type. You can define a code with your business partner or use INV001 or blank.

Processing outgoing

EDI Sub-System:

BAAN: In the BAAN table TBecedi011 there must be an entry for this order type in connection with the respective message and organization. The BAAN table field TFecedi011.koor is mapped to this position. The inhouse invoice type is converted in TBecedi433.

Processing incoming

EDI Sub-System:

BAAN: Mapping to BAAN table field TFecedi702.koor.
In the BAAN table TBecedi200 there must be an entry for this invoice type in connection with the respective message and organization.

Position	8	Field format	an..20	Field status	M
Field name	Transmission Reference				

Description: This field contains the reference code which the EDI Sub-System applied to this transmission.

Processing outgoing

EDI Sub-System:

BAAN: The Invoice number (without invoice type) from from BAAN table field TFcisl205.idoc is

mapped to this position.

Processing incoming

EDI Sub-System: Transmission of the value from the transmission file.

BAAN: Mapping to BAAN table field TFecedi702.msno. This field should contain the customer Invoice number.

Position	9	Field format	n..14	Field status	M
Field name	Date / Time of transmission				

Description: This field contains on the outgoing side the current date / time, on which the order message was created. On the incoming side, this field contains the arrival date / time of the invoice at the EDI Sub-System
(format: YYYYMMDDHHMMSS).

Processing outgoing

EDI Sub-System:

BAAN: Mapping of the current date / time to the position.

Processing incoming

EDI Sub-System: Entry of the arrival date / time of the message at the EDI Sub-System.

BAAN: Mapping to BAAN table field TFecedi702.send

Position	10	Field format	an..20	Field status	C
Field name	Transmission reference old				

Description: This field contains the reference number, which the EDI Sub-System applied to the previous

transmission.

Processing outgoing

EDI Sub-System: Entry of the reference code for the previous transmission file.

BAAN: The position will be empty (...;";...)

Processing incoming

EDI Sub-System: Transmission of the value from the transmission file.

BAAN: Mapping to BAAN table field TFecedi702.prno.

Position	11	Field format	an..35	Field status	C
Field name	Identification of the technical message creator				

Description: This fields contains an identification of the technical message creator.

Processing outgoing

EDI Sub-System:

BAAN: The position will be filled with the constant value 'BAANERP' .

Processing incoming

EDI Sub-System: The EDI Sub System put its identifierer to this position.

BAAN: None.

Position	12	Field format	an..35	Field status	C
Field name	Indentifier of Test Messages				

Description: Identification if the message is a test message or an original message.

Processing outgoing

EDI Sub-System: None.

BAAN: This field will be filled with the value of table field TFecedi003.test. Test messages have to be identified with a '1', original messages with an empty field. This has to be marked in the table TBecedi003.

Processing incoming

EDI Sub-System: Transmission of the value from the transmission file.

BAAN: Test messages are checked but not entered in the system. There will be a report, if the message is okay or not.

Position	13	Field format	an..35	Field status	C
Field name	Message Function				

Description: Function of the

Processing outgoing

EDI Sub-System: None.

BAAN: not supported.

Processing incoming

EDI Sub-System: Leave empty

BAAN: Mapping to Baan table field TFecedi702.mest.

Position	14	Field format	an7	Field status	M
Field name	Data record end sign				

Description: This field indicates the end of the data record. It contains the constant value 'SA1_END'.

Processing outgoing

EDI Sub-System:

BAAN:

This field will be filled with the constant value 'SA1_END'.

Processing incoming

EDI Sub-System:

BAAN:

This field will be filled with the constant value 'SA1_END'.

None

SA2 TRADING INVOICE HEADER

Status : Mandatory

Frequency: Once per Invoice number

Description: This data record contains all information of the invoice header except of address, tax and text data. The record is related to SA1.

<i>INVOICE INHOUSE FORMAT</i>					<i>Mapping from Application Table Fields (out)</i>		<i>Mapping to Application Fields (in)</i>	
<i>Pos</i>	<i>FIELD DESCRIPTION</i>	<i>Key</i>	<i>ST</i>	<i>FM</i>	<i>Table Field</i>	<i>Action</i>	<i>Table Field</i>	<i>Action</i>
1.	Kind of data record	O/I	M	an3	SA2		SA2	
2.	Message reference	O/I	M	an..14	ecedi701.bano		ecedi702.bano	
3.	Identification of sender	O/I	M	an..17	ecedi020.neta		tfacp200.ifbp	Conversion
4.	Invoice number part one (Invoice Transaction Type)	O/I	M	an..3	cisli205.ityp		tfacp200.ttyp	
5.	Invoice number part two (Invoice Document number)	O/I	M	an..8	cisli205.idoc		tfacp200.isup	
6.	Order Number		M	an..9	cisli240.slso			
7.	empty				later use			
8.	Customer Order Reference		C	an..30	cisli240.corn		tfacp200.orno	
9.	Order Date		C	n..14	cisli240.odat			
10.	Document Date (Header Entry Date)		C	n..14	cisli240.date			

Definition of BEMIS V INV001A Import and Export File for the EDI Business Document Trading Invoices (Sales/Warehouse & Purchase)

<i>INVOICE INHOUSE FORMAT</i>					<i>Mapping from Application Table Fields (out)</i>		<i>Mapping to Application Fields (in)</i>	
<i>Pos</i>	<i>FIELD DESCRIPTION</i>	<i>Key</i>	<i>ST</i>	<i>FM</i>	<i>Table Field</i>	<i>Action</i>	<i>Table Field</i>	<i>Action</i>
11.	First reference		C	an..20 Grieg an..30 Corel li an..32	cisli240.refa		tfacp200.refr	
12.	Second reference		C	an..20	cisli240.refb			
13.	Code of the Responsible Employee		C	an..6	cisli240.crep			
14.	Name of the Responsible Employee		C	an..35	tccom001.nama			
15.	Term of Delivery		C	an3	cisli240.cdec	Conversion		
16.	Description Term of Delivery		C	an..30	tcms041.dscs			
17.	Supplier's Bank		C	an..3	tfacr200.bank	will be filled after running the session tdsls4223m000		
18.	Forwarding Agent		C	an3	cisli240.cfrw	Conversion		
19.	Description Forwarding Agent		C	an..30	tcms080.dscs			
20.	Late Payment Surcharge		C	an3	cisli240.ccrs	Conversion	tfacp200.ccrs	Conversion
21.	Description Late Payment Surcharge		C	an..30	tcms011.dscs			
22.	Terms of Payment		C	an3	cisli240.epay	Conversion	tfacp200.cpay	Conversion
23.	Description Terms of Payment		C	an..30	tcms013.dscs			

Definition of BEMIS V INV001A Import and Export File for the EDI Business Document Trading Invoices (Sales/Warehouse & Purchase)

<i>INVOICE INHOUSE FORMAT</i>					<i>Mapping from Application Table Fields (out)</i>		<i>Mapping to Application Fields (in)</i>	
<i>Pos</i>	<i>FIELD DESCRIPTION</i>	<i>Key</i>	<i>ST</i>	<i>FM</i>	<i>Table Field</i>	<i>Action</i>	<i>Table Field</i>	<i>Action</i>
24.	Payment Method		C	an..3	tfacr200.paym			
25.	Payment Period		C	n..2	tcms013.pper			
26.	Discount Period 1		C	n..2	tcms013.disa			
27.	Discount Percentage 1		C	n..5	tcms013.pra			
28.	Discount Date 1		C	n..8	tfacr200.did1	will be filled after running the session tdsls4223m000		
29.	Discount Amount 1 in Invoice Currency		C	n..16	tfacr200.dc1i			
30.	empty							
31.	Discount Period 2		C	n..2	tcms013.disb			
32.	Discount Percentage 2		C	n..5	tcms013.prcb			
33.	Discount Date 2		C	n..8	tfacr200.did2	will be filled after running the session tdsls4223m000		
34.	Discount Amount 2 in Invoice Currency		C	n..16	tfacr200.dc2i			
35.	empty							
36.	Discount Period 3		C	n..2	tcms013.disc			
37.	Discount Percentage 3		C	n..5	tcms013.prc			

Definition of BEMIS V INV001A Import and Export File for the EDI Business Document Trading Invoices (Sales/Warehouse & Purchase)

<i>INVOICE INHOUSE FORMAT</i>					<i>Mapping from Application Table Fields (out)</i>		<i>Mapping to Application Fields (in)</i>	
<i>Pos</i>	<i>FIELD DESCRIPTION</i>	<i>Key</i>	<i>ST</i>	<i>FM</i>	<i>Table Field</i>	<i>Action</i>	<i>Table Field</i>	<i>Action</i>
38.	Discount Date 3		C	n..8	tfacr200.did3	will be filled after running the session tdsls4223m000		
39.	Discount Amount 3 in Invoice Currency		C	n..16	tfacr200.dc3i			
40.	empty				later use			
41.	Countrycode		C	an..3	tccom130.ccty	Conversion		
42.	Sales Department		C	an..3	BaanERP Grieg cisli240.cofc BaanERP Corelli not available	Conversion		
43.	Invoice Currency		C	an..3	cisli240.ccur	Conversion	tfacp200.ccur	Conversion
44.	Sold-to-Business Partner		M	an..20	cisli205.ofbp	Conversion		
45.	Sold-to-Addresscode		C	an..9	cisli205.ofad			
46.	Qualifier Partnercode Sold-To		C	an4	ecedi224.code "STBP"			
47.	Ship-to Business Partner (Delivery)		C	an..20	cisli205.stbp	Conversion		
48.	Sold-to Addresscode		C	an..9	cisli205.stoa			
49.	Qualifier Partnercode Ship-to		C	an4	ecedi224.code "SIBP"			
50.	Invoice-to Business Partner		M	an..20	cisli205.itbp	Conversion		

Definition of BEMIS V INV001A Import and Export File for the EDI Business Document Trading Invoices (Sales/Warehouse & Purchase)

<i>INVOICE INHOUSE FORMAT</i>					<i>Mapping from Application Table Fields (out)</i>		<i>Mapping to Application Fields (in)</i>	
<i>Pos</i>	<i>FIELD DESCRIPTION</i>	<i>Key</i>	<i>ST</i>	<i>FM</i>	<i>Table Field</i>	<i>Action</i>	<i>Table Field</i>	<i>Action</i>
51.	Invoice-to Addresscode		C	an..9	cisli205.itoa			
52.	Qualifier Partnercode Invoice-to		C	an4	ecedi224.code "ITBP"			
53.	Pay-from Business Partner		M	an..20	cisli205.pfbp	Conversion		
54.	Pay-from Addresscode		C	an..9	cisli205.pfad			
55.	Qualifier Partnercode Pay-from		C	an4	ecedi224.code "PFBP"			
56.	Invoice Date		C	n..14	cisli205.idat		tfacp200.docd	
57.	empty							
58.	Fixed Rate Code		C	an..3	cisli240.fcrf			
59.	Total Invoice Amount in Invoice Currency		C	n..16	cisli205.amti		tfacp200.amnt	
60.	Due Date		C	n..14	tfacr200.dued	will be filled after running the session tdsls4223m000		
61.	Total Goods Amount in Invoice Currency		C	n..16	cisli205.gdai			
62.	Total Cost / Service Amount in Invoice Currency		C	n..16	cisli205.csai			

**Definition of BEMIS V INV001A Import and Export File for the EDI Business Document Trading
Invoices (Sales/Warehouse & Purchase)**

<i>INVOICE INHOUSE FORMAT</i>					<i>Mapping from Application Table Fields (out)</i>		<i>Mapping to Application Fields (in)</i>	
<i>Pos</i>	<i>FIELD DESCRIPTION</i>	<i>Key</i>	<i>ST</i>	<i>FM</i>	<i>Table Field</i>	<i>Action</i>	<i>Table Field</i>	<i>Action</i>
63.	Total Invoice Discount in Invoice Currency		C	n..16	cisli205.dcai			
64.	Total Tax Base Amount in Invoice Currency		C	n..16	cisli205.tbai			
65.	Total Tax Amount in Invoice Currency		C	n..16	cisli205.txai		tfacp200.vati	
66.	Qualifier Address Code		M	an2	“ZZ”		“ZZ”	
67.	Tax Code		C	an..9	tfacr200.cvat	Conversion		
68.	Total Invoice Net Amount		C	n..16	empty	here (;)		
69.	Invoice List Number		C	an..35		empty position		
70.	Invoice List date /time		C	n..14		empty position		
71.	Value Date (loan proceeds date)		C	n..8		empty position		
72.	Record end sign		M	an7	SA2_END		SA2_END	

Definition of BEMIS V INV001A Import and Export File for the EDI Business Document Trading Invoices (Sales/Warehouse & Purchase)

Detailed description:	Trading Invoice
Kind of data record:	SA2 Invoice Header

Position	1	Field format	an3	Field status	M
Field name		Kind of data record		(Key field out/in)	

Description: This field identifies the kind of data record in the message block. It contains the constant value 'SA2'.

Processing outgoing

EDI Sub-System:

BAAN: This field will be filled with the constant value 'SA2'.

Processing incoming

EDI Sub-System: This field will be filled with the constant value 'SA2'.

BAAN:

Position	2	Field format	an..14	Field status	M
Field name		Message reference		(Key field out/in)	

Description: This field identifies all connected data records of one invoice. The numbering of the message reference, which has to be clear by invoice, helps to control the chronological order of the invoice and the complete transmission.

Processing outgoing

EDI Sub-System:

BAAN: Refer to data record SA1.

Processing incoming

EDI Sub-System: Refer to data record SA1

BAAN:

Position	3	Field format	an..17	Field status	M
Field name	Identification of the sender/receiver			(Key field out/in)	

Description: This field contains the identification of the sender.

Processing outgoing

EDI Sub-System:

BAAN: The identification is stored in the BAAN table TBecedi020 'Our Identification' under the corresponding network in the BAAN table field TFecedi020.neta. The contents of this field is mapped to the position of the transmission file.

Processing outgoing

EDI Sub-System: Transssmission of the value of the message file.

BAAN: Mapping to Baan table fieldTFtfacp200.ifbp.

Position	4	ield format	an..3	Field status	M
Field name	Invoice Number part one			(Key field in/out)	

Description: This field contains the first part of the invoice number. It contains an internal information of the invoice type. The invoice number is only unique, when the type and the number itself (second part) are together.

Processing outgoing

EDI Sub-System: The first and the second part (field 6) must be put together before transmit to the business partner. The EDI-Sub-System has to combine

both fields.

BAAN: The first part is mapped from BAAN table field TFcisli205.ityp to this position.

Processing incoming

EDI Sub-System: Transmission of the value from the message file for internal EDI. For external EDI leave this position empty.

BAAN: Mapping to BAAN table field TFtfacp200.ttyp.
Only used for internal EDI.

Position 5	Field format an..8	Field status M
Field name	Invoice Number part two	(Key field in/out)

Description: This field contains the second part of the invoice number. It contains the invoice number itself. The invoice number is only unique, when the type and the number itself (second part) are together.

Processing outgoing

EDI Sub-System: The first part (field 5) and the second part (field 6) must be put together before transmit to the business partner. The EDI-Sub-System has to combine both fields.

BAAN: The second part is mapped from BAAN table field TFcisli205.idoc to this position.

Processing incoming

EDI Sub-System: Transmission of the value from the message file. Here the complete unique invoice number is required.

BAAN: Mapping to BAAN table field TFtfacp200.isup.

Position	6	Field format	an..9	Field status	M
Field name	Order Number				

Description: This field contains the related Order number.

Processing outgoing

EDI Sub-System:

BAAN: The order number from Baan table filed TFcisl240.sls is mapped to this position.

Processing incoming

EDI Sub-System: Transmission of the value from the message file.

BAAN: empty

Position	7	Field format		Field status	C
Field name	empty				

Description: empty for later use.

Processing outgoing

EDI Sub-System: None.

BAAN: None.

Processing incoming

EDI Sub-System:

BAAN: None.

Position	8	Field format	an..30	Field status	C
Field name	Customer Order Reference				

Description: This field contains the reference code which applied to this order (transmission). This is the code the business partner uses for this order related to the invoice.

Processing outgoing

EDI Sub-System: None

BAAN: The customer purchase number from BAAN table field Tfcisli240.corn is mapped to this position.

Processing incoming

EDI Sub-System: Transmission of the value from the message file.

BAAN: Mapping to BAAN table field Ttfacp200.orno

Position	9	Field format	n..14	Field status	C
Field name	Order Date / Time				

Description: This field contains the date / time (YYYYMMDDHHMMSS) the order is entered in the system.

Processing outgoing

EDI Sub-System:

BAAN: The order date / time from BAAN table field Tfcisli200.odat is mapped to this position.

Processing incoming

EDI Sub-System: None

BAAN: Empty

Position	10	Field format	n..14	Field status	C
Field name	Document Date / Time				

Description: This field contains the date / time (YYYYMMDDHHMMSS) the invoice is entered in the system.

Processing outgoing

EDI Sub-System:

BAAN: The document date / time from BAAN table field Tfcisli200.date is mapped to this position.

Processing incoming

EDI Sub-System:

BAAN:

Position	11	Field format	an..20	Field status	C
Field name	First Reference				

Description: This field contains a reference marking.

Processing outgoing

EDI Sub-System:

BAAN: The first reference is mapped from BAAN table field Tfcisli240.refa to this position.

Processing incoming

EDI Sub-System: Transmission of the value from the message file.

BAAN: Mapping to the BAAN table field

TFtfacp200.refr.

Position	12	Field format	an..20	Field status	C
Field name	Second Reference				

Description: This field contains another reference marking.

Processing outgoing

EDI Sub-System:

BAAN: The reference marking is mapped from BAAN table field Tfcisli240.refb to this position.

Processing incoming

EDI Sub-System: None

BAAN:

Position	13	Field format	an..6	Field status	C
Field name	Code of the Responsible Employee				

Description: This field contains the code of the responsible employee.

Processing outgoing

EDI Sub-System:

BAAN: The code of the responsible employee is mapped from BAAN table field Tfcisli240.crep to this position.

Processing incoming

EDI Sub-System:

BAAN: Not used

Position	14	Field format	an..35	Field status	C
Field name	Name of the Responsible Employee				

Description: This field contains the name of the responsible employee.

Processing outgoing

EDI Sub-System:

BAAN: The name of the responsible employee is mapped from BAAN table field TFtccom001.nama to this position.

Processing incoming

EDI Sub-System:

BAAN: Not used

Position	15	Field format	an..3	Field status	C
Field name	Term of Delivery				

Description: This field contains a code for the Term of Delivery. This field indicates how to frank the shipment (unfranked,...) It contains a unique alphanumerical identification.

01 = unfranked (unfrei)

02 = free destination (frei Bestimmungsort)

03 = free to the door (frei Haus)

04 = free German border (frei deutsche Grenze)

05 = free receiving carrier (frei Empfängerpediteur)

99 = special postage (Sonderfrankatur)

Processing outgoing

EDI Sub-System: None.

BAAN: The Term of Delivery of the sales order from BAAN table field TFcisl240.cdec is mapped to this position. If other definitions are used in BAAN, the BAAN table TBecedi430 is used for conversion.

Processing incoming

EDI Sub-System:

BAAN: Not used

Position	16	Field format	an..30	Field status	C
Field name	Description Term of Delivery				

Description: This field contains text as description of the

terms of delivery.

Processing outgoing

EDI Sub-System:

BAAN: The description of the term of delivery related to this invoice is mapped from BAAN table field TFtcmcs041.dsca to this position.

Processing incoming

EDI Sub-System:

BAAN: Not used

Position	17	Field format	an..3	Field status	C
Field name	Supplier's Bank				

Description: This field contains the code of the bank which is selected to settle the payment.

Processing outgoing

EDI Sub-System:

BAAN: The code of bank is mapped from BAAN table field TFtfacr240.bank to this position.

This field will be filled after running the session tdsls4223m000.

Processing incoming

EDI Sub-System:

BAAN: None.

Position	18	Field format	an3	Field status	C
Field name	Forwarding Agent				

Description: This field contains the code of the forwarding agent.

Processing outgoing

EDI Sub-System:

BAAN: The code of the forwarding agent is mapped from BAAN table field TFcisli240.cfrw to this position. It is converted with BAAN table TBecedi456.

Processing incoming

EDI Sub-System:

BAAN: Not used

Position	19	Field format	an..30	Field status	C
Field name	Description of the Forwarding Agent				

Description: This field contains the description of the code of the forwarding agent (field 18).

Processing outgoing

EDI Sub-System:

BAAN: This description is mapped from BAAN table field Tftcmcs080.dsca to this position.

Processing incoming

EDI Sub-System:

BAAN: Not used

Position	20	Field format	an3	Field status	C
Field name	Late Payment Surcharge				

Description: This field contains the Code of late payment surcharge. Has to be agreed upon with the business partner.

Normally every business partner uses his specific codes.

Processing outgoing

EDI Sub-System:

BAAN: The late payment surcharge is mapped from BAAN table field TFcisl240.ccrs to this position. It is converted with BAAN table TBecedi470.

Processing incoming

EDI Sub-System: Transmission of the value from the message file.

BAAN: Mapping to the BAAN table field TFtfacp200.ccrs after conversion via Baan table TBecedi330.

Position	21	Field format	an..30	Field status	C
Field name	Description Late Payment Surcharge				

Description: This field contains the description of the code of the late payment surcharge (field 20).

Processing outgoing

EDI Sub-System:

BAAN: This description is mapped from BAAN table field TFtcmcs011.dsca to this position.

Processing incoming

EDI Sub-System:

BAAN: Not used

Position	22	Field format	an3	Field status	C
Field name	Terms of Payment				

Description: This field contains a Code of the Terms of Payment. The code list has to be agreed upon with the business partner.

Processing outgoing

EDI Sub-System:

BAAN: The code of terms of payment is mapped from BAAN table field TFcisl240.cpay to this position and converted using the table TBecedi466.

Processing incoming

EDI Sub-System: Transmission of the value from the message file.

BAAN: Mapping to the BAAN table field TFtfacp200.cpay and conversion via BAAN table TBecedi326.

Position	23	Field format	an..30	Field status	C
Field name	Description Terms of Payment				

Description: This field contains the description of the code of the terms of payment (field 22).

Processing outgoing

EDI Sub-System:

BAAN: This description of the terms of payment is mapped from BAAN table field TFtcmcs013.dsca to this position.

Processing incoming

EDI Sub-System:

BAAN: Not used

Position	24	Field format	an..3	Field status	C
Field name	Payment Method				

Description: This field contains the code of Methode which is selected to settle the payment.

Processing outgoing

EDI Sub-System:

BAAN: The code of methode is mapped from BAAN table field TFtfacr200.paym to this position.

This field will be filled after running the session tdsls4223m000.

Processing incoming

EDI Sub-System:

BAAN: None.

Position	25	Field format	n..2	Field status	C
Field name	Payment Period				

Description: This field contains the Payment Period.

Processing outgoing

EDI Sub-System:

BAAN: This payment period is mapped from BAAN table field TFtcmcs013.pper to this position.

Processing incoming

EDI Sub-System:

BAAN: Not used

Position	26	Field format	an..30	Field status	C
Field name	Discount Period 1				

Description: This field contains the Discount Period 1

Processing outgoing

EDI Sub-System:

BAAN: The first discount period is mapped from BAAN table field TFtcmcs013.disa to this position.

Processing incoming

EDI Sub-System:

BAAN: None

Position	27	Field format	n..5	Field status	C
Field name	Discount Percentage 1				

Description: This field contains the Discount Period 1

Processing outgoing

EDI Sub-System:

BAAN: The first discount percentage 1 is mapped from BAAN table field TFtcmcs013.prca to this position.

Processing incoming

EDI Sub-System:

BAAN: None

Position	28	Field format	n..8	Field status	C
Field name	Discount Date 1				

Description: This field contains the date (YYYYMMDD) the discount percentage 1 is valid.

Processing outgoing

EDI Sub-System:

BAAN: The discount date from BAAN table field TFtfacr200.did1 is mapped to this position.

The field will be filled after running the session tds1s4223m000.

Processing incoming

EDI Sub-System:

BAAN: None.

Position	29	Field format	n..16	Field status	C
Field name	Discount Amount 1 in Invoice Currency				

Description: This field contains the Discount Ammount related to the complete invoice amount per discount percentage 1 in Invoice Currency.

Processing outgoing

EDI Sub-System:

BAAN: The Discount Amount is mapped from BAAN

table field TFtfacr200.dcli to this position.

Processing incoming

EDI Sub-System:

BAAN: None.

Position	30	Field format	Field status	C
Field name	empty			

Description: later use

Processing outgoing

EDI Sub-System:

BAAN:

Processing incoming

EDI Sub-System:

BAAN:

Position	31	Field format	an..30	Field status	C
Field name	Discount Period 2				

Description: This field contains the Discount Period 2

Processing outgoing

EDI Sub-System:

BAAN: The first discount period is mapped from BAAN table field TFtcmcs013.dish to this position.

Processing incoming

EDI Sub-System:

BAAN: None

Position	32	Field format	n..5	Field status	C
Field name	Discount Percentage 2				

Description: This field contains the Discount Percentage 2

Processing outgoing

EDI Sub-System:

BAAN: The discount percentage 2 is mapped from BAAN table field TFtcmcs013.prcb to this position.

Processing incoming

EDI Sub-System:

BAAN: None

Position	33	Field format	n..8	Field status	C
Field name	Discount Date 2				

Description: This field contains the date (YYYYMMDD) the discount percentage 2 is valid.

Processing outgoing

EDI Sub-System:

BAAN: The discount date from BAAN table field TFtfacr200.did2 is mapped to this position.

The field will be filled after running the session tdsIs4223m000.

Processing incoming

EDI Sub-System:

BAAN:

Position	34	Field format	n..16	Field status	C
Field name	Discount Amount 2 in Invoice Currency				

Description: This field contains the Discount Ammount related to the complete invoice amount per discount percentage 2 in Invoice Currency.

Processing outgoing

EDI Sub-System:

BAAN: The Discount Amount is mapped from BAAN table field TFtfacr200.dc2i to this position.

Processing incoming

EDI Sub-System:

BAAN:

Position	35	Field format		Field status	C
Field name	empty				

Description:

Processing outgoing

EDI Sub-System:

BAAN:

Processing incoming

EDI Sub-System:

BAAN:

Position	36	Field format	an..30	Field status	C
Field name	Discount Period 3				

Description: This field contains the Discount Period 3

Processing outgoing

EDI Sub-System:

BAAN: The third discount period is mapped from BAAN table field TFtcmcs013.disc to this position.

Processing incoming

EDI Sub-System:

BAAN: None

Position	37	Field format	n..5	Field status	C
Field name	Discount Percentage 3				

Description: This field contains the Discount Period 3

Processing outgoing

EDI Sub-System:

BAAN: The third discount percentage is mapped from BAAN table field TFtcmcs013.prc to this position.

Processing incoming

EDI Sub-System:

BAAN: None

Position	38	Field format	n..8	Field status	C
Field name	Discount Date 3				

Description: This field contains the date (YYYYMMDD) the discount percentage 3 is valid.

Processing outgoing

EDI Sub-System:

BAAN: The discount date from BAAN table field TFtfacr200.did3 is mapped to this position.

The field will be filled after running the session tds4223m000.

Processing incoming

EDI Sub-System:

BAAN:

Position	39	Field format	n..16	Field status	C
Field name	Discount Amount 3 in Invoice Currency				

Description: This field contains the Discount Ammount related to the complete invoice amount per discount percentage 3 in Invoice Currency.

Processing outgoing

EDI Sub-System:

BAAN: The Discount Amount is mapped from BAAN table field TFtfacr200.dc3 to this position.

Processing incoming

EDI Sub-System:

BAAN:

Position	40	Field format	Field status	C
Field name	empty			

Description:

Processing outgoing

EDI Sub-System:

BAAN:

Processing incoming

EDI Sub-System:

BAAN:

Position	41	Field format	an..3	Field status	C
Field name	Country Code				

Description: This field contains the country code related to addresses of own commercial company. The country codes are defined in BAAN table TBecedi226 according to ODDC6.

Processing outgoing

EDI Sub-System:

BAAN: The Country Code is mapped from BAAN table field Tftccom130.ccty to this position, and it is converted with BAAN table TBecedi440.

Processing incoming

EDI Sub-System:

BAAN: Not used

Position	42	Field format	an..3	Field status	C
Field name	Department				

Description: This field contains the Code of the department which initiate the invoice.

Processing outgoing

EDI Sub-System:

BAAN: The department code is mapped from BAAN table field TFcisl240.cofc to this position, and it is converted using BAAN table TBecedi420.

Processing incoming

EDI Sub-System:

BAAN: Not used

Position	43	Field format	an..3	Field status	C
Field name	Invoice Currency				

Description: This field contains the Currency relevant for the order. It contains the clear alphanumerical identification of the currency. The currency code will be defined according to ISO 4217, e.g., '280' for German mark (DM). For detailed information please refer to the BEMIS V Cookbook (U7315AUS).

Processing outgoing

EDI Sub-System:

BAAN: The Currency of the relevant order is mapped from BAAN table field TFCisli240.ccur to this position and converted using table TBecedi438.

Processing incoming

EDI Sub-System: Transmission of the value from the message file.

BAAN: Mapping to the BAAN table field TFtfacp200.ccur and conversion with BAAN table TBecedi324.

Position	44	Field format	an..20	Field status	M
Field name	Sold-to Business Partner				

Description: This field contains the code of the Sold-To Business Partner. A conversion is possible.

Processing outgoing

EDI Sub-System:

BAAN: The Code of the Sold-to Business Partner is mapped from BAAN table field TFCisli205.ofbp

to this position, and it is converted using the BAAN table TBecedi468.

Processing incoming

EDI Sub-System:

BAAN:

Position	45	Field format	an..9	Field status	C
Field name	Sold-to Addresscode				

Description: This field contains the Addresscode of the sold-to business partner.

Processing outgoing

EDI Sub-System:

BAAN: The Addresscode is mapped from BAAN table field TFcisl205.ofad to this position.

Processing incoming

EDI Sub-System:

BAAN: Not used

Position	46	Field format	an4	Field status	C
Field name	Qualifier Partnercode Sold-To				

Description: This position contains the standard qualifier for the Sold-to business partnercode.

Processing outgoing

EDI Sub-System:

BAAN: The constant "STBP" is mapped to this position.

Processing incoming

EDI Sub-System:

BAAN:

Position	47	Field format	an..20	Field status	M
Field name	Ship-to Business Partnercode				

Description: This field contains the code of the Ship-To Businesspartner.

Processing outgoing

EDI Sub-System:

BAAN: This Code is mapped from BAAN table field TFcisl205.stbp to this position, and it is converted using the BAAN table TBecedi468.

Processing incoming

EDI Sub-System:

BAAN: Not used

Position	48	Field format	an..9	Field status	C
Field name	Ship-to Addresscode				

Description: This field contains the Addresscode of the Ship-To Business Partner.

Processing outgoing

EDI Sub-System:

BAAN: The Addresscode is mapped from BAAN table field TFCisli205.stoa to this position.

Processing incoming

EDI Sub-System:

BAAN: Not used

Position	49	Field format	an4	Field status	C
Field name	Qualifier Partnercode Ship-To				

Description: This position contains the standard qualifier for the Ship-to business partner.

Processing outgoing

EDI Sub-System:

BAAN: The constant "SIBP" is mapped to this position.

Processing incoming

EDI Sub-System:

BAAN:

Position	50	Field format	an..20	Field status	M
Field name	Invoice-to Business Partner				

Description: This field contains the code of Invoice –To Business Partner.

Processing outgoing

EDI Sub-System:

BAAN: The Code is mapped from BAAN table field TFcisl205.itbp to this position, and it is converted using the BAAN table TBecedi468.

Processing incoming

EDI Sub-System:

BAAN:

Position	51	Field format	an..9	Field status	C
Field name	Invoice-to Addresscode				

Description: This field contains the Addresscode of the invoice-to Business partner.

Processing outgoing

EDI Sub-System:

BAAN: The Adresscode is mapped from BAAN table field TFcisl205.itoa to this position.

Processing incoming

EDI Sub-System:

BAAN: Not used

Position	52	Field format	an4	Field status	C
Field name	Qualifier Partnercode Invoice-to				

Description: This position contains the standard qualifier for the Invoice-to business partnercode.

Processing outgoing

EDI Sub-System:

BAAN: The constant "ITBP" is mapped to this position.

Processing incoming

EDI Sub-System:

BAAN:

Position	53	Field format	an..20	Field status	M
Field name	Pay-from Business Partner				

Description: This field contains the pay-from Business Partner code.

Processing outgoing

EDI Sub-System:

BAAN: The Code of the Pay-from Business Partner is mapped from BAAN table field TFcisli205.pfbp to this position, and it is converted using the BAAN table TBecedi468.

Processing incoming

EDI Sub-System:

BAAN:

Position	54	Field format	an..9	Field status	C
Field name	Pay-from Addresscode				

Description: This field contains the Addresscode of the Pay-From Business Partner.

Processing outgoing

EDI Sub-System:

BAAN: The Addresscode is mapped from BAAN table field Tfcisli205.pfad to this position.

Processing incoming

EDI Sub-System:

BAAN: Not used

Position	55	Field format	an4	Field status	C
Field name	Qualifier Pay-From Partnercode				

Description: This position contains the standard qualifier for the Pay-From business partner.

Processing outgoing

EDI Sub-System:

BAAN: The constant "PBBP" is mapped to this position.

Processing incoming

EDI Sub-System:

BAAN:

Position	56	Field format	n..14	Field status	C
Field name	Invoice Date				

Description: The field contains the date of creation of the invoice.

Format: YYYYMMDDHHMMSS

Processing outgoing

EDI Sub-System:

BAAN: The invoice date is mapped from BAAN table field TFcisl205.idat to this position.

Processing incoming

EDI Sub-System: Transmission of the value from the message file.

BAAN: Mapping to BAAN table field Ttfacp200.docd

Position	57	Field format	an..14	Field status	C
Field name	empty				

Description:

Processing outgoing

EDI Sub-System:

BAAN:

Processing incoming

EDI Sub-System:

BAAN:

Position	58	Field format	an..3	Field status	C
Field name	Fixed Rate Code				

Description: The exchange rate agreed upon by contract with your bank or business partner (in order to avoid a currency loss).Used values:

0 = empty
 1 = fixed local
 2 = fixed hard
 3 = fixed local and hard
 4 = Delivery Date
 5 = Document Date
 6 = expected Cash Date
 7 = Manually Entered

Processing outgoing

EDI Sub-System:

BAAN: The Fixed Rate identifier from BAAN table field TFcisl240.fcrt is mapped to this position.

Processing incoming

EDI Sub-System:

BAAN:

Position	59	Field format	an..16	Field status	C
Field name	Total Invoice Amount in Invoice Currency				

Description: The field contains the total amount of the invoice in invoice currency.

Processing outgoing

EDI Sub-System:

BAAN: The total invoice amount is mapped from BAAN table field TFcisl205.amti to this position.

Processing incoming

EDI Sub-System: Transmission of the value from the message file.
 BAAN: Mapping to the BAAN table field TFtfacp200.amnt.

Position	60	Field format	an..16	Field status	C
Field name	Due Date				

Description: The field contains the due date.
 Processing outgoing
 EDI Sub-System:
 BAAN: The due date is mapped from BAAN table field Tfcisli205.dued to this position.
 This field is filled after running session tdsls4223m000.
 Processing incoming
 EDI Sub-System:
 BAAN:

Position	61	Field format	an..16	Field status	C
Field name	Total Goods Amount in Invoice Currency				

Description: The field contains the total goods amount in invoice currency.
 Processing outgoing
 EDI Sub-System:
 BAAN: The goods amount is mapped from BAAN table field Tfcisli205.gdai to this position.

Processing incoming

EDI Sub-System:

BAAN: Not used

Position	62	Field format	an..16	Field status	C
Field name	Total Cost/Service Amount in Invoice Currency				

Description: The field contains the total amount for cost and/or service in invoice currency.

Processing outgoing

EDI Sub-System:

BAAN: This amount is mapped from BAAN table field TFcisli205.csai to this position.

Processing incoming

EDI Sub-System:

BAAN: Not used

Position	63	Field format	an..16	Field status	C
Field name	Total Invoice Discount in Invoice Currency				

Description: The field contains the total discount referring to the invoice in invoice currency.

Processing outgoing

EDI Sub-System:

BAAN: This amount is mapped from BAAN table field TFcisli205.dcai to this position.

Processing incoming

EDI Sub-System:

BAAN: Not used

Position	64	Field format	an..16	Field status	C
Field name	Total Tax Based Amount in Invoice Currency				

Description: The field contains the total amount related to the tax base in invoice currency.

Processing outgoing

EDI Sub-System: The tax base amount is mapped from BAAN table field TFcisli205.tbai to this position.

BAAN:

Processing incoming

EDI Sub-System:

BAAN: Not used

Position	65	Field format	n..16	Field status	C
Field name	Total Tax Amount in Invoice Currency				

Description: The field contains the total amount of tax referring to the invoice in invoice currency

Processing outgoing

EDI Sub-System:

BAAN: The amount of tax is mapped from BAAN table field TFcisli205.txai to this position.

Processing incoming

EDI Sub-System: Transmission of the value from the message file.

BAAN: Mapping to the BAAN table field TFfacp200.vati

Position	66	Field format	an2	Field status	C
Field name	Qualifier Address Code				

Description: The field contains the qualifier used for Businesspartner conversion.

Processing outgoing

EDI Sub-System:

BAAN: The constant value "ZZ" is mapped to this position.

Processing incoming

EDI Sub-System:

BAAN:

Position	67	Field format	an..9	Field status	C
Field name	Tax Code				

Description: The field contains the invoice tax code.

Processing outgoing

EDI Sub-System:

BAAN: The invoice date is mapped from BAAN table field TFacr200.cvat to this position.

Processing incoming

EDI Sub-System:

BAAN:

Position	68	Field format	n..16	Field status	C
Field name	Total Invoice Net Amount				

Description: The field contains the net amount of the invoice.

Processing outgoing

EDI Sub-System: The value is equal the sum of the values of field 61 (Total Googs Amount) and field 62 (Total Cost/Service Amount)

BAAN: empty

Processing incoming

EDI Sub-System:

BAAN: Not used

Position	69	Field format	an..35	Field status	C
Field name	Invoice List Number				

Description: The field contains the number of the related invoice list.

Processing outgoing

EDI Sub-System:

BAAN: None (empty position)

Processing incoming

EDI Sub-System:

BAAN: None

Position	70	Field format	n..14	Field status	C
Field name	Invoice List Date/Time				

Description: The field contains the date of registration in the invoice list.

Processing outgoing

EDI Sub-System:

BAAN: None.

Processing incoming

EDI Sub-System:

BAAN: None

Position	71	Field format	n..8	Field status	C
Field name	Value Date (loan proceeds date)				

Description: The field contains the value date.

Processing outgoing

EDI Sub-System:

BAAN: None.

Processing incoming

EDI Sub-System:

BAAN: None

Position	72	Field format	an7	Field status	M
Field name	Data record end sign				

Description: This field indicates the end of the data record. It

	contains the constant value 'SA2_END'.
Processing outgoing	
EDI Sub-System:	
BAAN:	This field will be filled with the constant value 'SA2_END'.
Processing incoming	
EDI Sub-System:	This field will be filled with the constant value 'SA2_END'.
BAAN:	None



SA3 SPECIFIC INVOICE ADDRESSES

Status : Conditional

Frequency : Four times at maximum per Invoice occurs only for outgoing messages

Description: This data record contains the Business Partner, Delivery and the Invoice Addresses of the invoice header and is related to SA2.

<i>INVOICE INHOUSE FORMAT</i>					<i>Mapping from Application Table Fields</i>		<i>Mapping to Application Fields</i>	
<i>Pos</i>	<i>FIELD DESCRIPTION</i>	<i>Key</i>	<i>ST</i>	<i>FM</i>	<i>Table Field</i>	<i>Action</i>	<i>Table Field</i>	<i>Action</i>
1.	Kind of data record	O/I	M	an3	SA3	INV1-4		
2.	Message reference	O/I	M	an..14	ecedi701.bano	INV1-4		
3.	Identification of receiver / sender	O/I	M	an..17	ecedi028.neta	Conversion INV1-4		
4.	Invoice number part one (Invoice Transaction Type)	O/I	M	an..3	cisli205.ityp	INV1-4		
5.	Invoice number part two (Invoice Document number)	O/I	M	an..8	cisli205.idoc	INV1-4		Conversion
6.	Order Number		M	an..9	cisli240.slso	INV1-4		
7.	Address Qualifier		M	an..6	ecedi224.code	INV1-4		
8.	Postal Address Country			an..3	tccom130.ccty	Conversion INV1-4		
9.	Postal Address first part of the name		C	an..35	tccom130.nama	INV1-4		

Definition of BEMIS V INV001A Import and Export File for the EDI Business Document Trading Invoices (Sales/Warehouse & Purchase)

Data record **description by kind of data record**

<i>INVOICE INHOUSE FORMAT</i>					<i>Mapping from Application Table Fields</i>		<i>Mapping to Application Fields</i>	
<i>Pos</i>	<i>FIELD DESCRIPTION</i>	<i>Key</i>	<i>ST</i>	<i>FM</i>	<i>Table Field</i>	<i>Action</i>	<i>Table Field</i>	<i>Action</i>
10.	Postal Address second part of the name		C	an..30	tccom130.namb	INV1-4		
11.	Postal Address		C	an..30	tccom130.namc	INV1-4		
12.	Postal Address 2		C	an..30	tccom130.namd	INV1-4		
13.	House Number		C	an..10	tccom130.hono	INV1-4		
14.	P.O. Box Number		C	an..10	tccom130.pobn	INV1-4		
15.	Postal Address City		C	an..30	tccom130.name	INV1-4		
16.	Postal Address City 2		C	an..30	tccom130.namf	INV1-4		
17.	Postal Address Zip Code		C	an..10	tccom130.pstc	INV1-4		
18.	State/Province		C	an..2	tccom130.cste	INV1-4		
19.	Telephone		C	an..15	tccom130.telp	INV1-4		
20.	Telex		C	an..15	tccom130.telx	INV1-4		
21.	Fax		C	an..15	tccom130.tefx	INV1-4		
22.	GEO Code		C	an..10	tccom130.geoc	INV1-4		
23.	TAX-ID-Number		C	an..20	tccom130.fovn	INV1-4		
24.	Legal Identification		C	an..20	tccom100.lgid	INV1-4		
25.	Commercial Identification		C	an..20	tccom100.cmld	INV1-4		
26.	Data record end sign		M	an7	SA3_END	INV1-4		

Definition of BEMIS V INV001A Import and Export File for the EDI Business Document Trading Invoices (Sales/Warehouse & Purchase)

Evaluation Expressions:

INV1: strip(cisli205.ofad) <> strip(tccom110.cadr)

INV2: strip(cisli205.stoa) <> strip(tccom111.cadr)

INV3: strip(cisli205.itoa) <> strip(tccom112.cadr)

INV4: strip(cisli205.pfad) <> strip(tccom114.cadr)

Detailed description:	Trading Invoice
Kind of data record:	SA3 Specific Invoice Addresses

Position	1	Field format	an3	Field status	M
Field name	Kind of data record			(Key field out/in)	

Description: This field identifies the kind of data record in the message block. It contains the constant value 'SA3'.

Processing outgoing

EDI Sub-System:

BAAN: This field will be filled with the constant value 'SA3'.

Processing incoming

EDI Sub-System: This field will be filled with the constant value 'SA3'.

BAAN:

Position	2	Field format	an..35	Field status	M
Field name	Message reference			(Key field out/in)	

Description: This field identifies all connected data records of one order. The numbering of the message reference, which has to be clear by Invoice, helps to control the chronological order of the Orders and the complete transmission.

Processing outgoing

EDI Sub-System:

BAAN: Refer to data record SA2

Processing incoming

EDI Sub-System:

BAAN: Refer to data record SA2

Position	3	Field format	an..17	Field status	M
Field name	Identification of Receiver / Sender (Key field out)				

Description: This field contains the identification code of the receiver in the outgoing site and the identification code of the sender in the incoming site.

Processing outgoing

EDI Sub-System:

BAAN: Refer to data record SA2:

Processing incoming

EDI Sub-System: Transmission of the value from the message file

BAAN: Refer to data record SA2:

Position	4	Field format	an..3	Field status	M
Field name	Invoice Number part one (Key field in/out)				

Description: This field contains the first part of the invoice number. It contains an internal information of the invoice type. The invoice number is only unique, when the type and the number itself (second part) are together.

Processing outgoing

EDI Sub-System: Refer to data record SA2

BAAN:

Processing incoming

EDI Sub-System: Refer to data record SA2

BAAN:

Position	5	Field format	an..8	Field status	M
Field name			Invoice Number part two		(Key field in/out)

Description: This field contains the second prt of the invoice number. It contains the invoice number itself. The invoice number is only unique, when the type and the number itself (second part) are together.

Processing outgoing

EDI Sub-System: Refer to data record SA2

BAAN:

Processing incoming

EDI Sub-System: Refer to data record SA2

BAAN:

Position	6	Field format	an..9	Field status	M
Field name			Order Number		(Key field in/out)

Description: This field contains the order number.

Processing outgoing

EDI Sub-System: None.

BAAN: Refer to data record SA2.

Processing incoming

EDI Sub-System:

BAAN: Refer to data record SA2

Position	7	Field format	an4	Field status	M
Field name	Address Qualifier			(Key field in/out)	

Description: This field contains the Qualifier which identifies the kind of business partner address in the next data sets. This qualifier must be entered in BAAN table TBecedi224 regarding to the used organization.

Qualifier	Address of Specific Business Partner
STBP	Sold-to Business Partner
SIBP	Ship-to Business Partner
ITBP	Invoice-to Business Partner
PBBP	Pay-from Business Partner

Processing outgoing The Qualifier is filled in the BAAN table field ecedi224.code.

EDI Sub-System:

BAAN: The qualifier is filled in this position.

Processing incoming Conversion with TBecedi224.

EDI Sub-System:

BAAN:

Position	8	Field format	an..3	Field status	C
Field name	Postal Address Country				

Definition of BEMIS V INV001A Import and Export File for the EDI Business Document Trading Invoices (Sales/Warehouse & Purchase)

Description: This field contains the Country of the Address. The following country codes are defined in BAAN table TBecedi226 according to ODDC 6

AT	Austria
BE	Belgium
CH	Switzerland
D	Federal Republik of Germany
DK	Denmark
ES	Spain
FI	Finland
FR	France
GB	United Kingdom
GR	Greece
IE	Ireland
IT	Italy
LU	Luxembourg
NL	Netherlands
NO	Norway
PT	Portugal
SE	Sweden
TR	Turkey
YU	Yugoslavia

Processing outgoing

EDI Sub-System:

BAAN: The country code of the address is mapped from BAAN table field tccom130.ccty to this position and converts with BAAN table TBecedi440.

Processing incoming

EDI Sub-System: Transmission of the value from the message file.

BAAN: Mapping to the BAAN table field TFtccom130.ccty and conversion with BAAN table TBecedi302.

Position	9	Field format	an..35	Field status	C
Field name	Postal Address First part of Name				

Description: This field contains the first part of the name.

Processing outgoing

EDI Sub-System:

BAAN: The First part of the Name from BAAN table field TFtccom130.nama is mapped to this position.

Processing incoming

EDI Sub-System: Transmission of the value from the message file.

BAAN: Mapping to the BAAN table field TFtccom130.nama

Position	10	Field format	an..30	Field status	C
Field name	Postal Address Second part of Name				

Description: This field contains the second part of the name.

Processing outgoing

EDI Sub-System:

BAAN: The second part of the Name is mapped from BAAN table field TFtccom130.namb to this position.

Processing incoming

EDI Sub-System: Transmission of the value from the message file.

BAAN: Mapping to the BAAN table field TFtccom130.namb

Position	11	Field format	an..30	Field status	C
Field name	Postal Address				

Description: This field contains the first part of the Invoice Address.

Processing outgoing

EDI Sub-System:

BAAN: The first part of the Address is mapped from BAAN table field TFtccom130.name to this position.

Processing incoming

EDI Sub-System: Transmission of the value from the message file.

BAAN: Mapping to the BAAN table field TFtccom130.name

Position	12	Field format	an..30	Field status	C
Field name	Postal Address 2				

Description: This field contains the second part of the invoice address.

Processing outgoing

EDI Sub-System:

BAAN: The second part of the Address is mapped from BAAN table field TFtccom130.name to this position.

Processing incoming

EDI Sub-System: Transmission of the value from the message file.

BAAN: Mapping to the BAAN table field TFtccom130.name

Position	13	Field format	an..10	Field status	C
Field name	House Number				

Description: This field contains the house number related to the postal address.

Processing outgoing

EDI Sub-System:

BAAN: The house number is mapped from BAAN table field TFtccom130.hono to this position.

Processing incoming

EDI Sub-System: Transmission of the value from the message file.

BAAN: Mapping to the BAAN table field TFtccom130.hono

Position	14	Field format	an..10	Field status	C
Field name	P.O. Box Number				

Description: This field contains P.O. box number related to the business partner address.

Processing outgoing

EDI Sub-System:

BAAN: The second part of the Address is mapped from BAAN table field TFtccom130.pobn to this position.

Processing incoming

EDI Sub-System: Transmission of the value from the message file.

BAAN: Mapping to the BAAN table field TFtccom130.pobn

Position	15	Field format	an..30	Field status	C
Field name	Postal Address City				

Description: This field contains the name of the City.

Processing outgoing

EDI Sub-System:

BAAN: The name of the City is mapped from BAAN table field TFtccom130. name to this position.

Processing incoming

EDI Sub-System: Transmission of the value from the message file.

BAAN: Mapping to the BAAN table field TFtccom130.name

Position	16	Field format	an..30	Field status	C
Field name	Postal Address City 2				

Description: This field contains the second part of the name or further informations to the City.
If ILN-Numbers must be used, this field contains the ILN-Number of the address.

Processing outgoing

EDI Sub-System:

BAAN: The second part of City Address is mapped from BAAN table field TFtccom130.namf to this position.

Processing incoming

EDI Sub-System: Transmission of the value from the message file.

BAAN: Mapping to the BAAN table field TFtccom130.namf

Position	17	Field format	an..10	Field status	C
Field name	Postal Address Zip Code				

Description: This field contains the postal or zip code referring to the Address.

Processing outgoing

EDI Sub-System:

BAAN: The Zip Code is mapped from BAAN table field TFtccom130.pstc to this position.

Processing incoming

EDI Sub-System: Transmission of the value from the message file.

BAAN: Mapping to the BAAN table field TFtccom130.pstc

Position	18	Field format	an..2	Field status	C
Field name	State / Province				

Description: This field contains the code of state or province referring to the Address.

Processing outgoing

EDI Sub-System:

BAAN: The Code is mapped from BAAN table field TFtccom130.cste to this position.

Processing incoming

EDI Sub-System: Transmission of the value from the message file.

BAAN: Mapping to the BAAN table field TFtccom130.cste

Position	19	Field format	an..15	Field status	C
Field name	Telephone				

Description: This field contains the telephon number of the business partner.

Processing outgoing

EDI Sub-System:

BAAN: The telephon number is mapped from BAAN table field TFtccom130.telp to this position.

Processing incoming

EDI Sub-System: Transmission of the value from the message file.

BAAN: Mapping to the BAAN table field TFtccom130.telp

Position	20	Field format	an..15	Field status	C
Field name	Telex				

Description: This field contains the telex number of the business partner.

Processing outgoing

EDI Sub-System:

BAAN: The telex number is mapped from BAAN table field TFtccom130.telx to this position.

Processing incoming

EDI Sub-System: Transmission of the value from the message file.

BAAN: Mapping to the BAAN table field TFtccom130.telx

Position	21	Field format	an..15	Field status	C
Field name	FAX				

Description: This field contains the telefax number of the business partner.

Processing outgoing

EDI Sub-System:

BAAN: The telefax number is mapped from BAAN table field TFtccom130.tefx to this position.

Processing incoming

EDI Sub-System: Transmission of the value from the message file.

BAAN: Mapping to the BAAN table field TFtccom130.tefx

Position	22	Field format	an..10	Field status	C
Field name	GEO Code				

Description: This field contains the GEO code of the business partner.

The tax provider identifies the tax jurisdictions by means of GEO codes. The GEO codes are assigned to the addresses, based on the following address data:

City, State/province and ZIP/postal code

Processing outgoing

EDI Sub-System:

BAAN: The GEO code is mapped from BAAN table field Tftccom130.geoc to this position.

Processing incoming

EDI Sub-System: Transmission of the value from the message file.

BAAN: Mapping to the BAAN table field Tftccom130.geoc

Position	23	Field format	an..20	Field status	C
Field name	Tax-ID-Number				

Description: This field is used to identify the business partner by his Tax-ID-number.

Processing outgoing

EDI Sub-System:

BAAN: The tax-ID-number is mapped from BAAN

table field Tftccom130.fovn to this position.

Processing incoming

EDI Sub-System: Transmission of the value from the message file.

BAAN: Mapped to BAAN table field tccom130.fovn.

Position	24	Field format	an..20	Field status	C
Field name	Legal Identification				

Description: This field is used to identify the business partner by his legal identification.

Processing outgoing

EDI Sub-System:

BAAN: This field is mapped from BAAN table field Tftccom100.lgid to this position.

Processing incoming

EDI Sub-System: Transmission of the value from the message file.

BAAN: Mapped to BAAN table field tccom100.lgid.

Position	25	Field format	an..20	Field status	C
Field name	Commercial Identification				

Description: This field is used to identify the business partner by his commercial identification.

Processing outgoing

EDI Sub-System:

BAAN: This field is mapped from BAAN table field Tftccom100.cmid to this position.

Processing incoming

EDI Sub-System: Transmission of the value from the message file.

BAAN: Mapped to BAAN table field tccom100.cmid.

Position	26	Field format	an7	Field status	M
Field name	Data record end sign				

Description: This field indicates the end of the data record. It contains the constant value 'SA3_END'.

Processing outgoing

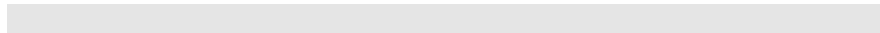
EDI Sub-System:

BAAN: This field will be filled with the constant value 'SA3_END'.

Processing incoming

EDI Sub-System: This field will be filled with the constant value 'SA3_END'.

BAAN: None



SA4 TRADING INVOICE TEXT

Status : Conditional
 Frequency : Once by invoice number
 Description: This data record contains the text informations of the invoice header and is related to SA2.

<i>INVOICE INHOUSE FORMAT</i>					<i>Mapping from Application Table Fields</i>		<i>Mapping to Application Fields</i>	
<i>Pos</i>	<i>FIELD DESCRIPTION</i>	<i>Key</i>	<i>ST</i>	<i>FM</i>	<i>Table Field</i>	<i>Action</i>	<i>Table Field</i>	<i>Action</i>
1.	Kind of data record	O/I	M	an3	SA4		SA4	
2.	Message reference	O/I	M	an..14	ecedi701.bano		ecedi702.bano	
3.	Identification of the Receiver / Sender	O/I	M	an..17	ecedi020.neta	Conversion	tfacp200.ifbp	Conversion
4.	Invoice number part one (Invoice Transaction type)	O/I	M	an..3	cisli205.ityp		tfacp200.ttyp	Conversion
5.	Invoice number part two (Invoice Document number)	O/I	M	an..8	cisli205.idoc		tfacp200.isup	Conversion
6.	Order Number		M	n..6	cisli240.slso			
7.	Free text 1		C	an..70	cisli240.text		tfacp200.text	
8.	Free text 2		C	an..70	cisli240.text		tfacp200.text	
9.	Free text 3		C	an..70	cisli240.text		tfacp200.text	
10.	Free text 4		C	an..70	cisli240.text		tfacp200.text	
11.	Free text 5		C	an..70	cisli240.text		tfacp200.text	

Definition of BEMIS V INV001A Import and Export File for the EDI Business Document Trading Invoices (Sales/Warehouse & Purchase)

Data record **description by kind of data record**

<i>INVOICE INHOUSE FORMAT</i>					<i>Mapping from Application Table Fields</i>		<i>Mapping to Application Fields</i>	
<i>Pos</i>	<i>FIELD DESCRIPTION</i>	<i>Key</i>	<i>ST</i>	<i>FM</i>	<i>Table Field</i>	<i>Action</i>	<i>Table Field</i>	<i>Action</i>
12.	Data record end sign		M	an7	SA4_END	ORD6	SA4_END	

Definition of BEMIS V INV001A Import and Export File for the EDI Business Document Trading Invoices (Sales/Warehouse & Purchase)

Detailed description:	Trading Invoice
Kind of data record:	SA4 Trading Invoice Text

Position	1	Field format	an3	Field status	M
Field name	Kind of data record			(Key field out/in)	

Description: This field identifies the kind of data record in the message block. It contains the constant value 'SA4'.

Processing outgoing

EDI Sub-System:

BAAN: This field will be filled with the constant value 'SA4'.

Processing incoming

EDI Sub-System: This field will be filled with the constant value 'SA4'.

BAAN: None

Position	2	Field format	an..35	Field status	M
Field name	Message reference			(Key field out/in)	

Description: This field identifies all connected data records of one Order. The numbering of the message reference, which has to be clear by Order, helps to control the chronological order of the Orders and the complete transmission.

Processing outgoing

EDI Sub-System:

BAAN: Refer to data record SA2.

Processing incoming

EDI Sub-System: Refer to data record SA2.

BAAN: Refer to data record SA2.

Position	3	Field format	an..17	Field status	M
Field name	Identification of the Receiver / Sender (Key field out/in)				

Description: This field contains the identification code of the receiver in the outgoing site and the identification code of the sender in the incoming site.

Processing outgoing

EDI Sub-System:

BAAN: Refer to data record SA2:

Processing incoming

EDI Sub-System:

BAAN: Refer to data record SA2

Position	4	Field format	an..3	Field status	M
Field name	Invoice Number part one (Key field in/out)				

Description: This field contains the first part of the invoice number. It contains an internal information of the invoice type. The invoice number is only unique, when the type and the number itself (second part) are together.

Processing outgoing

EDI Sub-System: Refer to data record SA2

BAAN:

Processing incoming

EDI Sub-System: Refer to data record SA2

BAAN:

Position	5	Field format	an..8	Field status	M
Field name	Invoice Number part two			(Key field in/out)	

Description: This field contains the second prt of the invoice number. It contains the invoice number itself. The invoice number is only unique, when the type and the number itself (second part) are together.

Processing outgoing

EDI Sub-System: Refer to data record SA2

BAAN:

Processing incoming

EDI Sub-System: Refer to data record SA2

BAAN:

Position	6	Field format	an..9	Field status	M
Field name	Order Number				

Description: This field contains the order number.

Processing outgoing

EDI Sub-System: None.

BAAN: Refer to data record SA2.

Processing incoming

EDI Sub-System:

BAAN: Refer to data record SA2

Position	7	Field format	an..70	Field status	C
Field name	Free text 1				

Description: This field contains a free text with a maximum of 70 characters.

Processing outgoing

EDI Sub-System:

BAAN: Mapping of BAAN table field TFcisli240.text to position.

Processing incoming

EDI Sub-System: Transmission of the value from the transmission file.

BAAN: Mapping to BAAN table field TFtfacp200.text

Position	8	Field format	an..70	Field status	C
Field name	Free text 2				

Description: This field contains a free text with a maximum of 70 characters.

Processing outgoing

EDI Sub-System:

BAAN: Mapping of BAAN table field TFcisli240.text to position.

Processing incoming

EDI Sub-System: Transmission of the value from the transmission file.

BAAN: Mapping to BAAN table field TFtfacp200.text

Position	9	Field format	an..70	Field status	C
Field name	Free text 3				

Description: This field contains a free text with a maximum of 70 characters.

Processing outgoing

EDI Sub-System:

BAAN: Mapping of BAAN table field TFcisli240.text to position.

Processing incoming

EDI Sub-System: Transmission of the value from the transmission file.

BAAN: Mapping to BAAN table field TFtfacp200.text

Position	10	Field format	an..70	Field status	C
Field name	Free text 4				

Description: This field contains a free text with a maximum of 70 characters.

Processing outgoing

EDI Sub-System:

BAAN: Mapping of BAAN table field TFcisli240.text to position.

Processing incoming

EDI Sub-System: Transmission of the value from the transmission file.

BAAN: Mapping to BAAN table field TFtfacp200.text

Position	11	Field format	an..70	Field status	C
Field name	Free text 5				

Description: This field contains a free text with a maximum of 70 characters.

Processing outgoing

EDI Sub-System:

BAAN: Mapping of BAAN table field TFcisli240.text to position.

Processing incoming

EDI Sub-System: Transmission of the value from the transmission file.

BAAN: Mapping to BAAN table field TFtfacp200.text

Position	12	Field format	an7	Field status	M
Field name	Data record end sign				

Description: This field indicates the end of the data record. It contains the constant value 'SA4_END'.

Processing outgoing

EDI Sub-System:

BAAN: This field will be filled with the constant value 'SA4_END'.

Processing incoming

EDI Sub-System: This field will be filled with the constant value 'SA4_END'.

BAAN: None

SA5 TRADING INVOICE TAX LINES

Status : Conditional

Frequency : Twice at maximum per invoice number

Description: This data record contains the specific addresses of the order header and is related to SA2.

<i>INVOICE INHOUSE FORMAT</i>					<i>Mapping from Application Table Fields</i>		<i>Mapping to Application Fields</i>	
<i>Pos</i>	<i>FIELD DESCRIPTION</i>	<i>Key</i>	<i>ST</i>	<i>FM</i>	<i>Table Field</i>	<i>Action</i>	<i>Table Field</i>	<i>Action</i>
1.	Kind of data record	O/I	M	an3	SA4		SA4	
2.	Message reference	O/I	M	an..14	ecedi701.bano		ecedi702.bano	
3.	Identification of the Receiver / Sender	O/I	M	an..17	ecedi020.neta	Conversion	tfacp200.ifbp	Conversion
4.	Invoice number part one (Invoice Transaction type)	O/I	M	an..3	cisli205.ityp		tfacp200.ttyp	
5.	Invoice number part two (Invoice Document number)	O/I	M	an..8	cisli205.idoc		tfacp200.isup	
6.	Order Number		M	an..9	cisli240.slso			
7.	Invoice Tax Code		C	an..9	cisli206.txid	Conversion	tfgld102.cvat	Conversion
8.	Tax Base Amount in Invoice Currency		C	n..16	cisli206.tbai		tdgld102.amnt	
9.	Tax Amount in Invoice Currency		C	n..16	cisli206.txai		tfgld102.vamt	
10.	Tax Percentages		C	n..16	tcms032.pvat			

Definition of BEMIS V INV001A Import and Export File for the EDI Business Document Trading Invoices (Sales/Warehouse & Purchase)

<i>INVOICE INHOUSE FORMAT</i>					<i>Mapping from Application Table Fields</i>		<i>Mapping to Application Fields</i>	
<i>Pos</i>	<i>FIELD DESCRIPTION</i>	<i>Key</i>	<i>ST</i>	<i>FM</i>	<i>Table Field</i>	<i>Action</i>	<i>Table Field</i>	<i>Action</i>
11.	Tax Code Qualifier		M	an3	"VAT"		"VAT"	
12.	Data record end sign		M	an7	SA5_END		SA5_END	

Detailed description:	Trading Invoice
Kind of data record:	SA5 Trading Invoice Tax Lines

Position	1	Field format	an3	Field status	M
Field name	Kind of data record			(Key field out/in)	

Description: This field identifies the kind of data record in the message block. It contains the constant value 'SA5'.

Processing outgoing

EDI Sub-System:

BAAN: This field will be filled with the constant value 'SA5'.

Processing incoming

EDI Sub-System: This field will be filled with the constant value 'SA5'.

BAAN: None

Position	2	Field format	an..35	Field status	M
Field name	Message reference			(Key field out/in)	

Description: This field identifies all connected data records of one Order. The numbering of the message reference, which has to be clear by Order, helps to control the chronological order of the Orders and the complete transmission.

Processing outgoing

EDI Sub-System:

BAAN: Refer to data record SA2.

Processing incoming

EDI Sub-System: Refer to data record SA2.

BAAN: Refer to data record SA2.

Position	3	Field format	an..17	Field status	M
Field name	Identification of the Receiver / Sender (Key field out/in)				

Description: This field contains the identification code of the receiver in the outgoing site and the identification code of the sender in the incoming site.

Processing outgoing

EDI Sub-System:

BAAN: Refer to data record SA2.

Processing incoming

EDI Sub-System:

BAAN: Refer to data record SA2.

Position	4	Field format	an..3	Field status	M
Field name	Invoice Number part one (Key field in/out)				

Description: This field contains the first part of the invoice number. It contains an internal information of the invoice type. The invoice number is only unique, when the type and the number itself (second part) are together.

Processing outgoing

EDI Sub-System: Refer to data record SA2

BAAN:

Processing incoming

EDI Sub-System: Refer to data record SA2

BAAN:

Position	5	Field format	an..8	Field status	M
Field name		Invoice Number part two		(Key field in/out)	

Description: This field contains the second prt of the invoice number. It contains the invoice number itself. The invoice number is only unique, when the type and the number itself (second part) are together.

Processing outgoing

EDI Sub-System: Refer to data record SA2

BAAN:

Processing incoming

EDI Sub-System: Refer to data record SA2

BAAN:

Position	6	Field format	an..9	Field status	M
Field name	Order Number				

Description: This field contains the order number.

Processing outgoing

EDI Sub-System:

BAAN: Refer to data record SA2.

Processing incoming

EDI Sub-System:

BAAN:

Position	7	Field format	an..9	Field status	C
Field name	Invoice Tax Code				

Description: This field contains the invoice tax code. A conversion is possible, if it is agreed upon the business partners.

Processing outgoing

EDI Sub-System:

BAAN: The tax code is mapped from BAAN table field TFcisl206.txid to this position. The conversion is carried out by the BAAN table TBecedi446. For this the tax code qualifier (field 11) is necessary.

Processing incoming

EDI Sub-System: Transmission of the value from the message file

BAAN: Mapping to BAAN table field TFtfgld102.cvat

The conversion is possible by the BAAN table TBecedi308. The tax code qualifier (field 11) is necessary. This qualifier must be defined in

BAAN table TBecedi240.

Position	8	Field format n..16	Field status	C
Field name	Tax Base Amount in Invoice Currency			

Description: This field contains the tax base amount referring to tax code (field 7).

Processing outgoing

EDI Sub-System:

BAAN: The tax base amount is mapped from BAAN table field TFcisl206.tbai to this position.

Processing incoming

EDI Sub-System: Transmission of the value from the message file

BAAN: Mapping to BAAN table field TFtfgld102.amnt

Position	9	Field format n..16	Field status	C
Field name	Tax Amount in Invoice Currency			

Description: This field contains the tax amount in invoice currency.

Processing outgoing

EDI Sub-System:

BAAN: The tax amount is mapped from BAAN table field TFcisl206.txai to this position.

Processing incoming

EDI Sub-System: Transmission of the value from the message file

BAAN: Mapping to BAAN table field TFtfgld102.vamt

Position	10	Field format	n..16	Field status	C
Field name	Tax Percentages				

Description: This field contains the tax percentage related to the invoice.

Processing outgoing

EDI Sub-System:

BAAN: The tax percentage is mapped from BAAN table field TFtcmcs032.pvat to this position.

Processing incoming

EDI Sub-System:

BAAN: Not used

Position	11	Field format	an3	Field status	M
Field name	Tax Code Qualifier				

Description: This field contains the tax code qualifier which is needed to conversion of tax codes.

Processing outgoing

EDI Sub-System:

BAAN: The field is filled with the constant value 'VAT'.

Processing incoming

EDI Sub-System: Transmission of the value from the message file

BAAN: The qualifier must be entered in the conversion setup of the tax code. It must be defined in The BAAN table TBecedi240.

Position	12	Field format	an7	Field status	M
Field name	Data record end sign				

Description: This field indicates the end of the data record. It contains the constant value 'SA5_END'.

Processing outgoing

EDI Sub-System:

BAAN: This field will be filled with the constant value 'SA5_END'.

Processing incoming

EDI Sub-System: This field will be filled with the constant value 'SA5_END'.

BAAN: None

SA6 TRADING INVOICE LINES

Status : Conditional, when using receipt matching for incoming invoices it is mandatory

Frequency : Repeatable per invoice number

Description: This data records contain the information of the order line referring to this invoice. It is related to SA2.

<i>ORDER INHOUSE FORMAT</i>					<i>Mapping from Application Table Fields</i>		<i>Mapping to Application Fields</i>	
<i>Pos</i>	<i>FIELD DESCRIPTION</i>	<i>Key</i>	<i>ST</i>	<i>FM</i>	<i>Table Field</i>	<i>Action</i>	<i>Table Field</i>	<i>Action</i>
1.	Kind of data record	O/I	M	an3	SA6		SA6	
2.	Message reference	O/I	M	an..14	ecedi701.bano	Generation	ecedi702.bano	Generation
3.	Identification of receiver/sender	O/I	M	an..17	ecedi020.neta	Conversion	tfacp200.ifbp	Conversion
4.	Invoice number part one (Invoice Transaction Type)	O/I	M	an..3	cisli205.ityp		tfacp200.ttyp	
5.	Invoice number part two (Invoice Document number)	O/I	M	an..8	cisli205.idoc		tfacp200.isup	
6.	Order Number	O/I	M	an..9	cisli245.slso			
7.	Invoice Line Number		C	n..2	cisli245.pono			
8.	Sequence Number		C	n..2	cisli245.sqnb			
9.	Customer Order Line Number		C	an..16	cisli245.corp		tfacp240.pono	
10.	Customer Line Sequence number		C	an..11	cisli245.cors		tfacp240.sqnb	
11.	Project Number		C	an..9	cisli245.cprj			

Definition of BEMIS V INV001A Import and Export File for the EDI Business Document Trading Invoices (Sales/Warehouse & Purchase)

<i>ORDER INHOUSE FORMAT</i>					<i>Mapping from Application Table Fields</i>		<i>Mapping to Application Fields</i>	
<i>Pos</i>	<i>FIELD DESCRIPTION</i>	<i>Key</i>	<i>ST</i>	<i>FM</i>	<i>Table Field</i>	<i>Action</i>	<i>Table Field</i>	<i>Action</i>
12.	Qualifier Item Code		M	an2	“SA”		“SA”	
13.	Customer/Supplier Item Code		C	an..16	cisli245.item	Conversion	tfacp240.item	Conversion
14.	Item Description		C	an..50	cisli245.desc			
15.	EAN Code		C	an..14	tcibd001.cean			
16.	Qualifier Address Code		M	an2	“ZZ”			
17.	Ship-to Business Partner		C	an..20	cisli245.stbp	Conversion		
18.	Addresscode of Ship-to Business partner		C	an..9	cisli245.stoa			
19.	Qualifier Partner Code Ship-To		C	an..4	ecedi224.code “SIBP”			
20.	Addresscode of Ship-from Business partner		C	an..9	cisli245.sfra			
21.	Qualifier Address Code of Ship-from BP		C	an..4	“SFBP”			
22.	Ordered Quantity		C	n..16	cisli245.oqua			
23.	empty							
24.	Delivered /Invoiced Quantity		C	n..16	cisli245.dqua		tfacp250.iqan	
25.	Sales/Purchase Unit		C	an..3	cisli245.cuqs	Conversion	tfacp240.unit	Conversion

Definition of BEMIS V INV001A Import and Export File for the EDI Business Document Trading Invoices (Sales/Warehouse & Purchase)

<i>ORDER INHOUSE FORMAT</i>					<i>Mapping from Application Table Fields</i>		<i>Mapping to Application Fields</i>	
<i>Pos</i>	<i>FIELD DESCRIPTION</i>	<i>Key</i>	<i>ST</i>	<i>FM</i>	<i>Table Field</i>	<i>Action</i>	<i>Table Field</i>	<i>Action</i>
26.	Price Unit		C	an..3	cisli245.cups	Conversion		
27.	Price per Unit		C	n..16	cisli245.pric			
28.	Delivery Date / Time		C	n..14	cisli245.ddat			
29.	Dispatch Advise		C	an..9	cisli245.shpm			
30.	Net Line Amount in the currency of the order		C	n..16	not used yet			
31.	Item code		C	n..16	cisli245.item			
32.	Line Amount in Invoice Currency		C	n..16	cisli245.amti		tfacp250.iamt	
33.	empty							
34.	Order Discount Amount		C	n..16	cisli245.odai			
35.	Invoice Line Discount		C	n..16	cisli245.ldai			
36.	Discount Method 1		C	n..1	cisli245.dism (1)			
37.	Discount Method 2		C	n..1	cisli245.dism (2)			
38.	Discount Method 3		C	n..1	cisli245.dism (3)			
39.	Discount Method 4		C	n..1	cisli245.dism (4)			
40.	Discount Method 5		C	n..1	cisli245.dism (5)			
41.	Discount Percentage 1		C	n..4	cisli245.disc (1)			
42.	Discount Percentage 2		C	n..4	cisli245.disc (2)			

Definition of BEMIS V INV001A Import and Export File for the EDI Business Document Trading Invoices (Sales/Warehouse & Purchase)

Data record **description by kind of data record**

<i>ORDER INHOUSE FORMAT</i>					<i>Mapping from Application Table Fields</i>		<i>Mapping to Application Fields</i>	
<i>Pos</i>	<i>FIELD DESCRIPTION</i>	<i>Key</i>	<i>ST</i>	<i>FM</i>	<i>Table Field</i>	<i>Action</i>	<i>Table Field</i>	<i>Action</i>
43.	Discount Percentage 3		C	n..4	cisli245.disc (3)			
44.	Discount Percentage 4		C	n..4	cisli245.disc (4)			
45.	Discount Percentage 5		C	n..4	cisli245.disc (5)			
46.	Discount Amount Method 1		C	n..16	cisli245.ldam(1)			
47.	Discount Amount Method 2		C	n..16	cisli245.ldam(2)			
48.	Discount Amount Method 3		C	n..16	cisli245.ldam(3)			
49.	Discount Amount Method 4		C	n..16	cisli245.ldam(4)			
50.	Discount Amount Method 5		C	n..16	cisli245.ldam(5)			
51.	Tax Code		C	an..9	cisli245.txid	Conversion		
52.	Tax Code Qualifier		M	an3	“VAT”			
53.	Tax Percentage (of value added tax)		C	n..16	tcmcs032.pvat			
54.	VAT Tax Amount in Invoice Currency		C	n..16	cisli245.txai			
55.	Data record end line		M	an7	SA6_END		SA6_END	

Definition of BEMIS V INV001A Import and Export File for the EDI Business Document Trading Invoices (Sales/Warehouse & Purchase)

Detailed description:	Trading Invoice
Kind of data record:	SA6 Trading Invoice Lines

Position	1	Field format	an3	Field status	M
Field name		Kind of data record		(Key field out/in)	

Description: This field identifies the kind of data record in the message block. It contains the constant value 'SA6'.

Processing outgoing

EDI Sub-System:

BAAN: This field will be filled with the constant value 'SA6'.

Processing incoming

EDI Sub-System: This field will be filled with the constant value 'SA6'.

BAAN:

Position	2	Field format	an..35	Field status	M
Field name		Message reference		(Key field out/in)	

Description: This field identifies all connected data records of one invoice. The numbering of the message reference, which has to be clear by Invoice, helps to control the chronological order of the Invoice and the complete transmission.

Processing outgoing

EDI Sub-System:

BAAN: Refer to data record SA2.

Processing incoming

EDI Sub-System: Refer to data record SA2

BAAN:

Position	3	Field format	an..17	Field status	M
Field name	Identification of Receiver/Sender (Key field out)				

Description: This field contains the identification code of the receiver in the outgoing site and the identification code of the sender in the incoming site.

Processing outgoing

EDI Sub-System:

BAAN: Refer to data record SA2.

Processing incoming

EDI Sub-System: Transmission of the value from the message file

BAAN: Refer to data record SA2.

Position	4	Field format	an..3	Field status	M
Field name	Invoice Number part one (Key field in/out)				

Description: This field contains the first part of the invoice number. It contains an internal information of the invoice type. The invoice number is only unique, when the type and the number itself (second part) are together.

Processing outgoing

EDI Sub-System: Refer to data record SA2

BAAN:

Processing incoming

EDI Sub-System: Refer to data record SA2

BAAN:

Position	5	Field format	an..8	Field status	M
Field name			Invoice Number part two		(Key field in/out)

Description: This field contains the second prt of the invoice number. It contains the invoice number itself. The invoice number is only unique, when the type and the number itself (second part) are together.

Processing outgoing

EDI Sub-System: Refer to data record SA2

BAAN:

Processing incoming

EDI Sub-System: Refer to data record SA2

BAAN:

Position	6	Field format	an..9	Field status	M
Field name	Order Number				

Description: This field contains the order number.

Processing outgoing

EDI Sub-System: None.

BAAN: Refer to data record SA2.

Processing incoming

EDI Sub-System:

BAAN: Refer to data record SA2

Position	7	Field format	n..2	Field status	M
Field name	Invoice Line Number			(Key field in/out)	

Description: This field contains the invoice line number.

Processing outgoing

EDI Sub-System:

BAAN: The line number is mapped from BAAN table field TFcisli245.pono to this position.

Processing incoming

EDI Sub-System:

BAAN:

Position	8	Field format	n..2	Field status	M
Field name	Sequence Number		(Key field in/out)		

Description: This field contains the sequence number of the line number.

Processing outgoing

EDI Sub-System:

BAAN: The sequence is mapped from BAAN table field TFcisl245.sqnb to this position.

Processing incoming

EDI Sub-System:

BAAN:

Position	9	Field format	an..16	Field status	C
Field name	Customer Order Line Number				

Description: This field contains the referred order line number of the business partner.

Processing outgoing

EDI Sub-System:

BAAN: The order line number is mapped from BAAN table field Tfcisl245.corp to this position.

Processing incoming

EDI Sub-System: Transmission of the value of the message file.

BAAN: Mapping to BAAN table field TFtfacp240.pono

Position	10	Field format	an..11	Field status	C
Field name	Customer Line Sequence Number				

Description: This field contains the referred line sequence number of the order.

Processing outgoing

EDI Sub-System:

BAAN: The sequence number is mapped from BAAN table field Tfcisli245.cors to this position.

Processing incoming

EDI Sub-System: Transmission of the value of the message file.

BAAN: Mapping to BAAN table field TFtfacp240.sqnb

Position	11	Field format	an..9	Field status	C
Field name	Project Number				

Description: This field contains the referred project of item.

Processing outgoing

EDI Sub-System:

BAAN: The sequence number is mapped from BAAN table field Tfcisli245.cprj to this position.

Processing incoming

EDI Sub-System:

BAAN:

Position	12	Field format	an2	Field status	M
Field name	Qualifier Item Code				

Description: This field contains the qualifier for the item code. The constant value 'SA' indicates, that the supplier item codes are used. 'EAN' means that the EAN Code is used.

Processing outgoing

EDI Sub-System:

BAAN: This field will be filled with the constant value 'SA' or 'EAN'.

Processing incoming

EDI Sub-System: This field will be filled with the constant value 'SA' or 'EAN', if the supplier item code or the EAN Code on field 16 is used.

BAAN: Used as qualifier for the conversion of the item code.

Position	13	Field format	an..47	Field status	C
Field name	Item code				

Description: This field contains the item code.

Processing outgoing

EDI Sub-System:

BAAN: The item code is mapped from BAAN table field TFCisli245.item to this position. . If the buyer wants to send out the EAN Item Code a conversion is needed. This means that the buyers item code has to convert. Please refer to the description of the item code conversion described above. Furthermore please notice, that

the conversion setup has to be adapted to the demand under the use of qualifiers.

Processing incoming

EDI Sub-System: Transmission of the value from the message file.

BAAN: Mapping to BAAN table field tfacp240.item.

The conversion is possible.

Position	14	Field format	an..50	Field status	C
Field name	Description of the item				

Description: This field contains the description of the item.

Processing outgoing

EDI Sub-System:

BAAN: The description of the item is mapped from BAAN table field TFtcisli245.desc to this position.

Processing incoming

EDI Sub-System:

BAAN: None.

Position	15	Field format	an..14	Field status	C
Field name	EAN Code				

Description: This field contains the EAN code of item.

Processing outgoing

EDI Sub-System:

BAAN: The item code is mapped from BAAN table field Tftcibd001.cean to this position.

Processing incoming

EDI Sub-System:

BAAN: None.

Position	16	Field format	an2	Field status	M
Field name	Qualifier Address Code				

Description: This field contains the first qualifier of the delivery address code.

Processing outgoing

EDI Sub-System:

BAAN: The field is filled by the constant value "ZZ".

Processing incoming

EDI Sub-System:

BAAN:

Position	17	Field format	an..20	Field status	M
Field name	Ship-to Business Partner				

Description: This field contains the code of Ship-To Business Partner.

Processing outgoing

EDI Sub-System:

BAAN: This Code is mapped from BAAN table field TFcisl245.stbp to this position, and it is converted using the BAAN table TBecedi468.

Processing incoming

EDI Sub-System:

BAAN:

Position	18	Field format	an..9	Field status	C
Field name	Addresscode of Ship-to Business Partner				

Description: This field contains the Addresscode of the Ship-To Business partner.

Processing outgoing

EDI Sub-System:

BAAN: The Addresscode is mapped from BAAN table field TFcisli205.stoa to this position.

Processing incoming

EDI Sub-System:

BAAN: Not used

Position	19	Field format	an4	Field status	C
Field name	Qualifier Partner Code Ship-to				

Description: This position contains the standard qualifier for the Ship-to business partner.

Processing outgoing

EDI Sub-System:

BAAN: The constant "SIBP" is mapped to this position.

Processing incoming

EDI Sub-System:

BAAN: Not used

Position	20	Field format	an..9	Field status	C
Field name	Addresscode of Ship-from Business Partner				

Description: This field contains the Addresscode of the Ship-from Business Partner.

Processing outgoing

EDI Sub-System:

BAAN: The Addresscode is mapped from BAAN table field TFCISLI205.SFRA to this position.

Processing incoming

EDI Sub-System:

BAAN:

Position	21	Field format	an4	Field status	C
Field name	Qualifier Address Code of Ship-from BP				

Description: This position contains the standard qualifier for the Ship-from business partner.

Processing outgoing

EDI Sub-System:

BAAN: The constant "SFBP" is mapped to this position.

Processing incoming

EDI Sub-System:

BAAN:

Position	22	Field format	n..16	Field status	C
Field name	Ordered Quantity				

Description: This field contains the quantity ordered on this order line.

Format: NNNNNNNNNNNN.NNNN

Processing outgoing

EDI Sub-System:

BAAN: The ordered quantity is mapped from BAAN table field TFcisl245.oqua to this position.

Processing incoming

EDI Sub-System:

BAAN:

Position	23	Field format		Field status	C
Field name	empty				

Description:

Processing outgoing

EDI Sub-System:

BAAN:

Processing incoming

EDI Sub-System:

BAAN:

Position	24	Field format	n..16	Field status	C
Field name	Delivered/Invoiced Quantity				

Description: This field contains the delivered or invoiced quantity.
 Format: NNNNNNNNNNN.NNNN

Processing outgoing

EDI Sub-System:

BAAN: The delivered quantity is mapped from BAAN table field TFisli245.dqua to the position.

Processing incoming

EDI Sub-System: Transmission of the value from the message file.

BAAN: The invoiced quantity is mapped to the BAAN table field TFtacr240.iqan

Position	25	Field format	an..3	Field status	C
Field name	Sales/Purchase Unit				

Description: This field contains the purchase/sales unit of the item. The coding was carried out on the basis of ODETTE-Standard ODDC 25:

Millimeter	MMT
Centimeter	CMT
Meter	MTR
Kilometer	KMT
Square millimeter	MMK
Square centimeter	CMK
Square meter	MTK
Cubic millimeter	MMQ
Cubic centimeter	CMQ
Cubic meter	MTQ
Liter	DMQ
Gram	GRM
Kilogram	KGM
Metric ton	TON

Piece PCE

Additional units of measurement you can collect by the session SEecedi2130m000 'maintain units' for the organization BEM.

Processing outgoing

EDI Sub-System:

BAAN:

The sales unit is mapped from BAAN table field TFisli245.cupsto this position and converted with BAAN table TBecedi442.

Processing incoming

EDI Sub-System:

Transmission of the value from the message file.

BAAN:

The sales unit is mapped to the BAAN table field TFfacp240.unit and conversion with BAAN table TBecedi304.

Position	26	Field format	an..3	Field status	C
Field name	Sales/Purchase Price Unit				

Description:

This field contains sales/purchase unit the price refers to. The coding was carried out on the basis of ODETTE-Standard ODDC 25:

Millimeter	MMT
Centimeter	CMT
Meter	MTR
Kilometer	KMT
Square millimeter	MMK
Square centimeter	CMK
Square meter	MTK
Cubic millimeter	MMQ
Cubic centimeter	CMQ
Cubic meter	MTQ
Liter	DMQ
Gram	GRM
Kilogram	KGM

Metric ton TON
 Piece PCE

Additional units of measurement you can collect by the session SEecedi2130m000 'maintain units' for the organization BEM.

Processing outgoing

EDI Sub-System:

BAAN: The price unit is mapped from BAAN table field TFisli245.cups to this position and converted with BAAN table TBecedi442.

Processing incoming

EDI Sub-System:

BAAN: Not used

Position	27	Field format	n..16	Field status	C
Field name	Price per Unit				

Description: This field contains the price per unit.
 Format: NNNNNNNNNNN.NNNN

Processing outgoing

EDI Sub-System:

BAAN: The price is mapped from BAAN table field TFisli245.pric to the position.

Processing incoming

EDI Sub-System:

BAAN: Not used

Position	28	Field format	n..14	Field status	C
Field name	Planned Delivery Date / Time				

Description: This field contains the date / time on which the delivery is planned or the customer wants to be delivered.

Processing outgoing

EDI Sub-System:

BAAN: The planned delivery date / time is mapped from BAAN table field TFisli245.ddat this position.

Processing incoming

EDI Sub-System:

BAAN:

Position	29	Field format	an..9	Field status	C
Field name	Dispatch Advise Number				

Description: This field contains the dispatch advise number.

Processing outgoing

EDI Sub-System:

BAAN: The number is mapped from BAAN table field TFisli245.shpm to this position.

Processing incoming

EDI Sub-System:

BAAN:

Position	30	Field format	n..16	Field status	C
Field name	Net Line Amount in Currency of the Order				

Description: This field contains the net line amount in

currency of the order.

Processing outgoing

EDI Sub-System:

BAAN: Not used

Processing incoming

EDI Sub-System:

BAAN: Not used

Position	31	Field format	an..47	Field status	C
Field name	Item code				

Description: This field contains the item code.

Processing outgoing

EDI Sub-System:

BAAN: The item code is mapped from BAAN table field TFcisl245.item to this position

Processing incoming

EDI Sub-System:

BAAN:

Position	32	Field format	n..16	Field status	C
Field name	Line Amount in Invoice Currency				

Description: This field contains invoice line amount.

Processing outgoing

EDI Sub-System:

BAAN: The line amount is mapped from BAAN table field TFcisl245.amti to this position.

Processing incoming

EDI Sub-System: Transmission of the value of the message file.

BAAN: Mapping to BAAN table field TFtfacp250.iamt

Position	33	Field format	Field status	C
Field name	empty			

Description:

Processing outgoing

EDI Sub-System:

BAAN:

Processing incoming

EDI Sub-System:

BAAN:

Position	34	Field format	n..16	Field status	C
Field name	Order Discount Amount				

Description: This field contains the order discount amount in invoice currency.

Processing outgoing

EDI Sub-System:

BAAN: The line discount amount is mapped from BAAN table field TFcisl245.odai to this position.

Processing incoming

EDI Sub-System:

BAAN: Not used

Position	35	Field format	n..16	Field status	C
Field name	Invoice Line Discount				

Description: This field contains the invoice line discount.

Processing outgoing

EDI Sub-System:

BAAN: The line amount is mapped from BAAN table field TFcisli245.l dai to this position.

Processing incoming

EDI Sub-System:

BAAN: Not used

Position	36	Field format	n..1	Field status	C
Field name	Discount Method 1				

Description: This field contains the code of the used discount method for calculation of the invoice line discount. Discounts are calculated according to one of the following amounts:

Gross: the discount is calculated on the gross amount.

Net: the discount is calculated on the net amount. The net amount is the gross amount minus the net amount over the previous levels.

Used qualifiers (codes) are:

“1” means gross

“2” means net

Processing outgoing

EDI Sub-System:

BAAN: The code of the first discount method from BAAN table field TFcisl245.dism(1) is mapped to this position.

Processing incoming

EDI Sub-System:

BAAN: Not used

Position	37	Field format	n..1	Field status	C
Field name	Discount Method 2				

Description: This field contains the code of the used discount method for calculation of the invoice line discount. Discounts are calculating in the same way as 36.

Processing outgoing

EDI Sub-System:

BAAN: The code of the second discount method from BAAN table field TFcisl245.dism(2) is mapped to this position.

Processing incoming

EDI Sub-System:

BAAN: Not used

Position	38	Field format	n..1	Field status	C
Field name	Discount Method 3				

Description: This field contains the code of the used discount method for calculation of the invoice line discount. Discounts are calculated in the same way as 36.

Processing outgoing

EDI Sub-System:

BAAN: The code of the third discount method from BAAN table field TFCisli245.dism(3) is mapped to this position.

Processing incoming

EDI Sub-System:

BAAN: Not used

Position	39	Field format	n..1	Field status	C
Field name	Discount Method 4				

Description: This field contains the code of the used discount method for calculation of the invoice line discount. Discounts are calculated in the same way as 36.

Processing outgoing

EDI Sub-System:

BAAN: The code of the fourth discount method from BAAN table field TFCisli245.dism(4) is mapped to this position.

Processing incoming

EDI Sub-System:

BAAN: Not used

Position	40	Field format	n..1	Field status	C
Field name	Discount Method 5				

Description: This field contains the code of the used discount method for calculation of the invoice line discount. Discounts are calculated in the same way as 36.

Processing outgoing

EDI Sub-System:

BAAN: The code of the fifth discount method from BAAN table field TFcisl245.dism(5) is mapped to this position.

Processing incoming

EDI Sub-System:

BAAN: Not used

Position	41	Field format	n..4	Field status	C
Field name	Discount Percentage 1				

Description: This field contains the first percentage that applies to the invoice line amount to calculate the discount amount by method 1 (field 36).

Processing outgoing

EDI Sub-System:

BAAN: The percentage of the discount 1 is mapped from BAAN table field TFcisl245.disc(1) to this position.

Processing incoming

EDI Sub-System:

BAAN: Not used

Position	42	Field format	n..4	Field status	C
Field name	Discount Percentage 2				

Description: This field contains the percentage 2 that applies to the invoice line amount to calculate the discount amount by method 2 (field 37).

Processing outgoing

EDI Sub-System:

BAAN: The percentage of the discount 2 is mapped from BAAN table field TFcisl245.disc(2) to this position.

Processing incoming

EDI Sub-System:

BAAN: Not used

Position	43	Field format	n..4	Field status	C
Field name	Discount Percentage 3				

Description: This field contains the percentage 3 that applies to the invoice line amount to calculate the discount amount by method 3 (field 38).

Processing outgoing

EDI Sub-System:

BAAN: The percentage of the discount 3 is mapped from BAAN table field TFcisl245.disc(3) to this position.

Processing incoming

EDI Sub-System:

BAAN: Not used

Position	44	Field format	n..4	Field status	C
Field name	Discount Percentage 4				

Description: This field contains the percentage 4 that applies to the invoice line amount to calculate the discount amount by method 4 (field 39).

Processing outgoing

EDI Sub-System:

BAAN: The percentage of the discount 4 is mapped from BAAN table field TFcisl245.disc(4) to this position.

Processing incoming

EDI Sub-System:

BAAN: Not used

Position	45	Field format	n..4	Field status	C
Field name	Discount Percentage 5				

Description: This field contains the percentage 5 that applies to the invoice line amount to calculate the discount amount by method 5 (field 40).

Processing outgoing

EDI Sub-System:

BAAN: The percentage of the discount 5 is mapped from BAAN table field TFcisl245.disc(5) to this position.

Processing incoming

EDI Sub-System:

BAAN: Not used

Position	46	Field format	n..16	Field status	C
Field name	Discount Amount Methode 1				

Description: This field contains the amount of the invoice line discount which is calculated by Methode 1.

Processing outgoing

EDI Sub-System:

BAAN: The amount of the first discount methode is mapped from BAAN table field TFcisl245.ldam(1) to this position.

Processing incoming

EDI Sub-System:

BAAN: Not used

Position	47	Field format	n..16	Field status	C
Field name	Discount Amount Methode 2				

Description: This field contains the amount of the invoice line discount which is calculated by Methode 2.

Processing outgoing

EDI Sub-System:

BAAN: The amount of the discount methode 2 is mapped from BAAN table field TFcisl245.ldam(2) to this position.

Processing incoming

EDI Sub-System:

BAAN: Not used

Position	48	Field format	n..16	Field status	C
Field name	Discount Amount Methode 3				

Description: This field contains the amount of the invoice line discount which is calculated by Methode 3.

Processing outgoing

EDI Sub-System:

BAAN: The amount of the first discount methode is mapped from BAAN table field TFcisl245.ldam(3) to this position.

Processing incoming

EDI Sub-System:

BAAN: Not used

Position	49	Field format	n..16	Field status	C
Field name	Discount Amount Methode 4				

Description: This field contains the amount of the invoice line discount which is calculated by Methode 4.

Processing outgoing

EDI Sub-System:

BAAN: The amount of the discount methode 4 is mapped from BAAN table field TFcisl245.ldam(4) to this position.

Processing incoming

EDI Sub-System:

BAAN: Not used

Position	50	Field format	n..16	Field status	C
Field name	Discount Amount Methode 5				

Description: This field contains the amount of the invoice line discount which is calculated by Methode 5.

Processing outgoing

EDI Sub-System:

BAAN: The amount of the discount methode 5 is mapped from BAAN table field TFcisl245.lam(5) to this position.

Processing incoming

EDI Sub-System:

BAAN: Not used

Position	51	Field format	an..9	Field status	C
Field name	Tax Code				

Description: This field contains the tax code of the invoice line. A conversion is possible, if it is agreed upon the business partners.

Processing outgoing

EDI Sub-System:

BAAN: The tax code is mapped from BAAN table field TFcisl245.txid to this position. The conversion is carried out by the BAAN table TBecedi446. For this the tax code qualifier (field 53) is necessary.

Processing incoming

EDI Sub-System:

BAAN:

Position	52	Field format	an3	Field status	M
Field name	Tax Code Qualifier				

Description: This field contains the Tax Code Qualifier 'VAT'.

This tax code must be filled in BAAN table TBecedi240 to allow a conversion.

Processing outgoing

EDI Sub-System:

BAAN: The field is filled with the constant value "VAT".

Processing incoming

EDI Sub-System:

BAAN:

Position	53	Field format	n..16	Field status	C
Field name	Tax Percentage				

Description: This field contains the percentage of value added tax referring to the tax code (field 51).

Processing outgoing

EDI Sub-System:

BAAN: The tax percentage is mapped from BAAN table field TFccms032.pvat to this position.

Processing incoming

EDI Sub-System:

BAAN: Not used

Position	54	Field format	n..16	Field status	C
Field name	VAT Tax Amount in Invoice Currency				

Description: This field contains the VAT tax amount.

Processing outgoing

EDI Sub-System:

BAAN: The tax amount is mapped from BAAN table field TFcisl245.txai to this position.

Processing incoming

EDI Sub-System:

BAAN: None

Position	55	Field format	an7	Field status	M
Field name	Data record end sign				

Description: This field indicates the end of the data record. It contains the constant value 'SA6_END'.

Processing outgoing

EDI Sub-System:

BAAN: This field will be filled with the constant value 'SA6_END'.

Processing incoming

EDI Sub-System: This field will be filled with the constant value 'SA6_END'.

BAAN: None

SA7 TRADING INVOICE LINE SPECIFIC ADDRESSES

Status : Conditional

Frequency : Once per line number. Only used for outgoing messages.

Description: This data record contains the address information of the invoice line, if it is different from the address of the invoice header. It is related to SA6.

<i>INVOICE INHOUSE FORMAT</i>					<i>Mapping from Application Table Fields</i>		<i>Mapping to Application Fields</i>	
<i>Pos</i>	<i>FIELD DESCRIPTION</i>	<i>Key</i>	<i>ST</i>	<i>FM</i>	<i>Table Field</i>	<i>Action</i>	<i>Table Field</i>	<i>Action</i>
1.	Kind of data record	O/I	M	an3	SA7	INV5		
2.	Message reference	O/I	M	an..14	ecedi701.bano	INV5		
3.	Identification of receiver / sender	O/I	M	an..17	ecedi028.neta	Conversion INV5		
4.	Invoice number part one (Invoice Transaction Type)	O/I	M	an..3	cisli205.ityp	INV5		
5.	Invoice number part two (Invoice Document number)	O/I	M	an..8	cisli205.idoc	INV5		
6.	Order Number	O/ I	C	an..9	cisli240.sls0	INV5		

Definition of BEMIS V INV001A Import and Export File for the EDI Business Document Trading Invoices (Sales/Warehouse & Purchase)

<i>INVOICE INHOUSE FORMAT</i>					<i>Mapping from Application Table Fields</i>		<i>Mapping to Application Fields</i>	
<i>Pos</i>	<i>FIELD DESCRIPTION</i>	<i>Key</i>	<i>ST</i>	<i>FM</i>	<i>Table Field</i>	<i>Action</i>	<i>Table Field</i>	<i>Action</i>
7.	Invoice Line Number	O/I	M	n..2	cisli245.pono	INV5		
8.	Sequence Number	O/I	M	n..2	cisli245.sqnb	INV5		
9.	Address Qualifier	O/I	M	an..6	ecedi224.code	INV5		
10.	Postal Address Country			an..3	tccom130.ccty	Code and Conversion INV5		
11.	Postal Address first part of the name		C	an..35	tccom130.nama	INV5		
12.	Postal Address second part of the name		C	an..30	tccom130.namb	INV5		
13.	Postal Address		C	an..30	tccom130.namc	INV5		
14.	Postal Address 2		C	an..30	tccom130.namd	INV5		
15.	House Number		C	an..10	tccom130.hono	INV5		
16.	P.O. Box Number		C	an..10	tccom130.pobn	INV5		
17.	Postal Address City		C	an..30	tccom130.name	INV5		
18.	Postal Address City 2		C	an..30	tccom130.namf	INV5		
19.	Postal Address Zip Code		C	an..10	tccom130.pstc	INV5		
20.	State/Province		C	an..2	tccom130.cste	INV5		
21.	Telephone		C	an..15	tccom130.telp	INV5		
22.	Telex		C	an..15	tccom130.telx	INV5		
23.	Fax		C	an..15	tccom130.tefx	INV5		

Definition of BEMIS V INV001A Import and Export File for the EDI Business Document Trading Invoices (Sales/Warehouse & Purchase)

Data record **description by kind of data record**

<i>INVOICE INHOUSE FORMAT</i>					<i>Mapping from Application Table Fields</i>		<i>Mapping to Application Fields</i>	
<i>Pos</i>	<i>FIELD DESCRIPTION</i>	<i>Key</i>	<i>ST</i>	<i>FM</i>	<i>Table Field</i>	<i>Action</i>	<i>Table Field</i>	<i>Action</i>
24.	GEO Code		C	an..10	tccom130.geoc	INV5		
25.	TAX-ID-Number		C	an..20	tccom130.fovn	INV5		
26.	Legal Identification		C	an..20	tccom100.lgid	INV5		
27.	Commercial Identification		C	an..20	tccom100.cmid	INV5		
28.	Data record end sign		M	an7	SA7_END	INV5		

Evaluation expression:

INV5 : strip(cisli245.stoa) <> strip(tccom111.cadr)

Definition of BEMIS V INV001A Import and Export File for the EDI Business Document Trading Invoices (Sales/Warehouse & Purchase)

Detailed description:	Trading Invoice
Kind of data record:	SA7 Trading Invoice Line Specific Addresses

Position	1	Field format	an3	Field status	M
Field name		Kind of data record		(Key field out/in)	

Description: This field identifies the kind of data record in the message block. It contains the constant value 'SA7'.

Processing outgoing

EDI Sub-System:

BAAN: This field will be filled with the constant value 'SA7'.

Processing incoming

EDI Sub-System: This field will be filled with the constant value 'SA7'.

BAAN:

Position	2	Field format	an..35	Field status	M
Field name		Message reference		(Key field out/in)	

Description: This field identifies all connected data records of one order. The numbering of the message reference, which has to be clear by Invoice, helps to control the chronological order of the Orders and the complete transmission.

Processing outgoing

EDI Sub-System:

BAAN: Refer to data record SA6

Processing incoming

EDI Sub-System:

BAAN:

Position	3	Field format	an..17	Field status	M
Field name	Identification of Receiver / Sender (Key field out)				

Description: This field contains the identification code of the receiver in the outgoing site and the identification code of the sender in the incoming site.

Processing outgoing

EDI Sub-System:

BAAN: Refer to data record SA6.

Processing incoming

EDI Sub-System:

BAAN:

Position	4	Field format	an..3	Field status	M
Field name	Invoice Number part one (Key field in/out)				

Description: This field contains the first part of the invoice number. It contains an internal information of the invoice type. The invoice number is only unique, when the type and the number itself (second part) are together.

Processing outgoing

EDI Sub-System: Refer to data record SA6

BAAN:

Processing incoming

EDI Sub-System:

BAAN:

Position	5	Field format	an..8	Field status	M
Field name	Invoice Number part two			(Key field in/out)	

Description: This field contains the second prt of the invoice number. It contains the invoice number itself. The invoice number is only unique, when the type and the number itself (second part) are together.

Processing outgoing

EDI Sub-System: Refer to data record SA6

BAAN:

Processing incoming

EDI Sub-System:

BAAN:

Position	6	Field format	an..9	Field status	C
Field name	Order Number				

Description: This field contains the order number.

Processing outgoing

EDI Sub-System: None.

BAAN: Refer to data record SA6

Processing incoming

EDI Sub-System:

BAAN:

Position	7	Field format n..2	Field status M
Field name	Invoice Line Number		(Key field in/out)

Description: This field contains the invoice line number.

Processing outgoing

EDI Sub-System: Refer to data record SA6

BAAN:

Processing incoming

EDI Sub-System:

BAAN:

Position	8	Field format n..2	Field status M
Field name	Sequence Number		(Key field in/out)

Description: This field contains the sequence number of the line number.

Processing outgoing

EDI Sub-System: Refer to data record SA6

BAAN:

Processing incoming

EDI Sub-System:

BAAN:

Position	9	Field format	an4	Field status	M
Field name	Address Qualifier			(Key field in/out)	

Description: This field contains the Qualifier which identifies the kind of business partner address in the next data sets. This qualifier must be entered in BAAN table TBecedi224 regarding to the used organization.

Qualifier	Address of Specific Business Partner
STBP	Sold-to Business Partner

Processing outgoing

EDI Sub-System:

BAAN: The Qualifier is filled in the BAAN table field ecedi224.code.

Processing incoming

EDI Sub-System:

BAAN:

Position	10	Field format	an..3	Field status	C
Field name	Postal Address Country				

Description: This field contains the Country of the Address. The following country codes are defined in BAAN table TBecedi226 according to ODDC 6

AT	Austria
BE	Belgium
CH	Switzerland
D	Federal Republik of Germany
DK	Denmark
ES	Spain
FI	Finland
FR	France
GB	United Kingdom
GR	Greece
IE	Ireland
IT	Italy
LU	Luxembourg
NL	Netherlands
NO	Norway
PT	Portugal
SE	Sweden
TR	Turkey
YU	Yugoslavia

Processing outgoing

EDI Sub-System:

BAAN: The country code of the address is mapped from BAAN table field tccom130.ccty to this position and converts with BAAN table TBecedi440.

Processing incoming

EDI Sub-System:

BAAN:

Position	11	Field format	an..35	Field status	C
Field name	Postal Address First part of Name				

Description: This field contains the first part of the name.

Processing outgoing

EDI Sub-System:

BAAN: The First part of the Name from BAAN table field TFtccom130.nama is mapped to this position.

Processing incoming

EDI Sub-System:

BAAN:

Position	12	Field format	an..30	Field status	C
Field name	Postal Address Second part of Name				

Description: This field contains the second part of the name.

Processing outgoing

EDI Sub-System:

BAAN: The second part of the Name is mapped from BAAN table field TFtccom130.namb to this position.

Processing incoming

EDI Sub-System:

BAAN:

Position	13	Field format	an..30	Field status	C
Field name	Postal Address				

Description: This field contains the first part of the Invoice Address.

Processing outgoing

EDI Sub-System:

BAAN: The first part of the Address is mapped from BAAN table field TFtccom130.namc to this position.

Processing incoming

EDI Sub-System:

BAAN:

Position	14	Field format	an..30	Field status	C
Field name	Postal Address 2				

Description: This field contains the second part of the invoice address.

Processing outgoing

EDI Sub-System:

BAAN: The second part of the Address is mapped from BAAN table field TFtccom130.namd to this position.

Processing incoming

EDI Sub-System:

BAAN:

Position	15	Field format	an..10	Field status	C
Field name	House Number				

Description: This field contains the house number related to the postal address.

Processing outgoing

EDI Sub-System:

BAAN: The house number is mapped from BAAN table field TFtccom130.hono to this position.

Processing incoming

EDI Sub-System:

BAAN:

Position	16	Field format	an..10	Field status	C
Field name	P.O. Box Number				

Description: This field contains P.O. box number related to the business partner address.

Processing outgoing

EDI Sub-System:

BAAN: The second part of the Address is mapped from BAAN table field TFtccom130.pobn to this position.

Processing incoming

EDI Sub-System:

BAAN:

Position	17	Field format	an..30	Field status	C
Field name	Postal Address City				

Description: This field contains the name of the City.

Processing outgoing

EDI Sub-System:

BAAN: The name of the City is mapped from BAAN table field TFtccom130.name to this position.

Processing incoming

EDI Sub-System:

BAAN:

Position	18	Field format	an..30	Field status	C
Field name	Postal Address City 2				

Description: This field contains the second part of the name or further informations to the City.
 If ILN-Numbers must be used, this field contains the ILN-Number of the address.

Processing outgoing

EDI Sub-System:

BAAN: The second part of City Address is mapped from BAAN table field TFtcom130.namf to this position.

Processing incoming

EDI Sub-System:

BAAN:

Position	19	Field format	an..10	Field status	C
Field name	Postal Address Zip Code				

Description: This field contains the postal or zip code referring to the Address.

Processing outgoing

EDI Sub-System:

BAAN: The Zip Code is mapped from BAAN table field TFtcom130.pstc to this position.

Processing incoming

EDI Sub-System:

BAAN:

Position	20	Field format	an..2	Field status	C
Field name	State / Province				

Description: This field contains the code of state or province referring to the Address.

Processing outgoing

EDI Sub-System:

BAAN: The Code is mapped from BAAN table field TFtccom130.cste to this position.

Processing incoming

EDI Sub-System:

BAAN:

Position	21	Field format	an..15	Field status	C
Field name	Telephone				

Description: This field contains the telephon number of the business partner.

Processing outgoing

EDI Sub-System:

BAAN: The telephon number is mapped from BAAN table field TFtccom130.telp to this position.

Processing incoming

EDI Sub-System:

BAAN:

Position	22	Field format	an..15	Field status	C
Field name	Telex				

Description: This field contains the telex number of the business partner.

Processing outgoing

EDI Sub-System:

BAAN: The telex number is mapped from BAAN table field TFtccom130.telx to this position.

Processing incoming

EDI Sub-System:

BAAN:

Position	23	Field format	an..15	Field status	C
Field name	FAX				

Description: This field contains the telefax number of the business partner.

Processing outgoing

EDI Sub-System:

BAAN: The telefax number is mapped from BAAN table field TFtccom130.tefx to this position.

Processing incoming

EDI Sub-System:

BAAN:

Position	24	Field format	an..10	Field status	C
Field name	GEO Code				

Description: This field contains the GEO code of the business partner.

The tax provider identifies the tax jurisdictions by means of GEO codes. The GEO codes are assigned to the addresses, based on the following address data:

City, State/province and ZIP/postal code

Processing outgoing

EDI Sub-System:

BAAN: The GEO code is mapped from BAAN table field Tftccom130.geoc to this position.

Processing incoming

EDI Sub-System:

BAAN:

Position	25	Field format	an..20	Field status	C
Field name	Tax-ID-Number				

Description: This field is used to identify the business partner by his Tax-ID-number.

Processing outgoing

EDI Sub-System:

BAAN: The tax-ID-number is mapped from BAAN table field Tftccom130.fovn to this position.

Processing incoming

EDI Sub-System:

BAAN:

Position	26	Field format	an..20	Field status	C
Field name	Legal Identification				

Description: This field is used to identify the business partner by his legal identification.

Processing outgoing

EDI Sub-System:

BAAN: This field is mapped from BAAN table field Tftccom100.lgid to this position.

Processing incoming

EDI Sub-System:

BAAN:

Position	27	Field format	an..20	Field status	C
Field name	Commercial Identification				

Description: This field is used to identify the business partner by his commercial identification.

Processing outgoing

EDI Sub-System:

BAAN: This field is mapped from BAAN table field Tftccom100.cmid to this position.

Processing incoming

EDI Sub-System:

BAAN:

Position	28	Field format	an7	Field status	M
Field name	Data record end sign				

Description: This field indicates the end of the data record. It contains the constant value 'SA7_END'.

Processing outgoing

EDI Sub-System:

BAAN: This field will be filled with the constant value 'SA7_END'.

Processing incoming

EDI Sub-System:

BAAN:

Definition of BEMIS V INV001A Import and Export File for the EDI Business Document Trading Invoices (Sales/Warehouse & Purchase)
2-144

000000"; "CWAR"; "100000061"; "100000000"; "ITBP"; "10
0000061"; "100000000"; "PBBP"; 19991209163420; ; 6; 110
2; ; 950; 0; 0; 950; 152; ; ; ; ; ; ; "ZZ"; "SA2_END"

"SA5"; "F6009912100001"; "100000062"; "DVK"; 99000063
; ; "V16"; 950; 152; 16; "VAT"; "SA5_END"

"SA6"; "F6009912100001"; "100000062"; "DVK"; 99000063
; "100000029"; 10; 0; "1"; "0"; ; ; "SA"; "
660020"; "EDIMIX
20"; "EAN660010"; "ZZ"; "100000061"; "100000000"; "CWA
R"; "100000001"; "SFBP"; 10; ; 10; "PCE"; "PCE"; 75; 19991
209163237; "100000030"; ; ; 750; ; 0; 0; 11111; 11111; 1111
1; 11111; 11111; 0; 0; 0; 0; 0; 0; 0; 0; 0; 0; 0; 0; "V16"; "VAT"; 16;
120; ; ; ; ; ; "SA6_END"

"SA6"; "F6009912100001"; "100000062"; "DVK"; 99000063
; "100000029"; 20; 0; "2"; "0"; ; ; "SA"; "
MB100"; "Test
Planning"; ; ; "ZZ"; "100000061"; "100000000"; "CWAR";
"100000001"; "SFBP"; 10; ; 10; "PCE"; "PCE"; 20; 19991209
163237; "100000030"; ; ; 200; ; 0; 0; 11111; 11111; 11111; 1
1111; 11111; 0; 0; 0; 0; 0; 0; 0; 0; 0; 0; 0; 0; "V16"; "VAT"; 16; 32;
; ; ; ; ; ; "SA6_END"

"SA1"; "F6009912090008"; "100000062"; "100000061"; "I
NV001"; "BEMISV"; "INV001"; 99000063; 19991215105920;
; "BAANERP"; ; ; ; "SA1_END"

"SA2"; "F6009912090008"; "100000062"; "DVK"; 99000063
; "100000029"; ; ; "100000201"; 19991209162845; 19991209
162845; ; ; ; ; ; "100000029"; "001"; "FOB"; ; ; ; ; "
; ; ; ; ; "100"; "Sofort rein
netto"; "´"; 0; 0; 0; ; 0; ; 0; 0; 0; 0; 0; 0; 0; 0; 0; "DE"; "100"; "
280"; "100000061"; "100000000"; "STBP"; "100000061"; "
100000000"; "CWAR"; "100000061"; "100000000"; "ITBP";
"100000061"; "100000000"; "PBBP"; 19991209163420; ; 6;
1102; ; 950; 0; 0; 950; 152; ; ; ; ; ; ; "ZZ"; "SA2_END"

"SA5"; "F6009912090008"; "100000062"; "DVK"; 99000063
; ; "V16"; 950; 152; 16; "VAT"; "SA5_END"

"SA6"; "F6009912090008"; "100000062"; "DVK"; 99000063
; "100000029"; 10; 0; "1"; "0"; ; ; "SA"; "

**Definition of BEMIS V INV001A Import and Export File for the EDI Business Document Trading
Invoices (Sales/Warehouse & Purchase)**

```
660020";"EDIMIX
20";"EAN660010";"ZZ";"100000061";"100000000";"CWA
R";"100000001";"SFBP";10;;10;"PCE";"PCE";75;19991
209163237;"100000030";;;750;;0;0;11111;11111;1111
1;11111;11111;0;0;0;0;0;0;0;0;0;0;0;0;"V16";"VAT";16;
120;;;;;;;"SA6_END"

"SA6";"F6009912090008";"100000062";"DVK";99000063
;"100000029";20;0;"2";"0";"";"SA";"
MB100";"Test
Planning";"";"ZZ";"100000061";"100000000";"CWAR";
"100000001";"SFBP";10;;10;"PCE";"PCE";20;19991209
163237;"100000030";;;200;;0;0;11111;11111;11111;1
1111;11111;0;0;0;0;0;0;0;0;0;0;0;0;"V16";"VAT";16;32;
;;;;;;;"SA6_END"
```

Definition of BEMIS V INV001A Import and Export File for the EDI Business Document Trading Invoices (Sales/Warehouse & Purchase)

2-4