

Definition of BEMIS ORC001 Import and Export File for Business Document Order Change

Copyright © 2008 Infor

All rights reserved. The word and design marks set forth herein are trademarks and/or registered trademarks of Infor and/or related affiliates and subsidiaries. All rights reserved. All other trademarks listed herein are the property of their respective owners.

Important Notices

The material contained in this publication (including any supplementary information) constitutes and contains confidential and proprietary information of Infor.

By gaining access to the attached, you acknowledge and agree that the material (including any modification, translation or adaptation of the material) and all copyright, trade secrets and all other right, title and interest therein, are the sole property of Infor and that you shall not gain right, title or interest in the material (including any modification, translation or adaptation of the material) by virtue of your review thereof other than the non-exclusive right to use the material solely in connection with and the furtherance of your license and use of software made available to your company from Infor pursuant to a separate agreement ("Purpose").

In addition, by accessing the enclosed material, you acknowledge and agree that you are required to maintain such material in strict confidence and that your use of such material is limited to the Purpose described above.

Although Infor has taken due care to ensure that the material included in this publication is accurate and complete, Infor cannot warrant that the information contained in this publication is complete, does not contain typographical or other errors, or will meet your specific requirements. As such, Infor does not assume and hereby disclaims all liability, consequential or otherwise, for any loss or damage to any person or entity which is caused by or relates to errors or omissions in this publication (including any supplementary information), whether such errors or omissions result from negligence, accident or any other cause.

Trademark Acknowledgements

All other company, product, trade or service names referenced may be registered trademarks or trademarks of their respective owners.

Publication Information

Document code: U9442A US

Release: ERP LN 6.1 Electronic Commerce

Publication date: July 08

Table of Contents

Chapter 1	General Principles	1-1
	Available types of data records	1-1
	Branching diagrams	1-2
	Key fields outgoing.....	1-4
	Key fields incoming	1-5
	Business partner relations.....	1-6
	Network directories	1-6
	ERP LN BEMIS messages – conventions.....	1-8
	What is new in comparison to BEMIS for BAAN V?	1-9
Chapter 2	Data Record Description by Type of Data Record	2-1
	SA1 Message Overhead	2-1
	SA2 Order Header	2-9
	SA3 Order Specific Addresses.....	2-37
	SA4 Order Header Text – Text Data.....	2-51
	SA8 Order Footer Text – Text Data	2-55
	SA5 Order Line	2-59
	SA6 Order Line Text – Text Data.....	2-87
	SA7 Order Line’s Specific Delivery Address	2-90
	SA9 Tax Exemption Certificate Text (only outgoing).....	2-101
Chapter 3	Definitions, Acronyms, and Abbreviations.....	3-1
Appendix A	Sample File	A-1

About this Guide

Objective

This document describes the content and the corresponding structure of the EDI message “Order Change”, which is supported by Baan Electronic Message, the ERP LN in-house format.

The message’s content refers to the following origin message types and gives their attribution to the transferred ASCII file of the BEMIS format:

- EDIFACT ORDCHG
- ANSI X12 860
- VDA 4925

The message structure is defined by referring to incoming directions and outgoing directions.

The document contains the following chapters:

Chapter 1, “General Principles”, provides a general introduction to the EDI in-house format for the Business Document type Order Change.

Chapter 2, “Data Record Description by Kind of Data Record”, describes in detail the data records used for the EDI in-house format of EDI message Order Change.

Chapter 3, “Definitions, Acronyms, and Abbreviations”, provides a glossary of terms used in Infor ERP LN and in this document, and also a list of abbreviations.

Appendix A, “Sample File”, provides a sample file for the outgoing message ORC001.

Intended audience

This document is intended for the following categories of users:

- Users who want to understand what the processed information of the EDI messages in ERP LN are.
- Users who develop the translation from external EDI format to the in-house format.

References

The following documents might be of importance:

No.	Document number	Title
1	U8912A US	<i>User's Guide for BEMIS</i>
2	U8998A US	<i>User's Guide for EDI Business Documents</i>

Send us your comments

We continually review and improve our documentation. Any remarks/requests for information concerning this document or topic are appreciated. Please e-mail your comments to documentation@infor.com.

In your e-mail, refer to the document code and title. More specific information will enable us to process feedback efficiently.

Chapter 1

General Principles

1

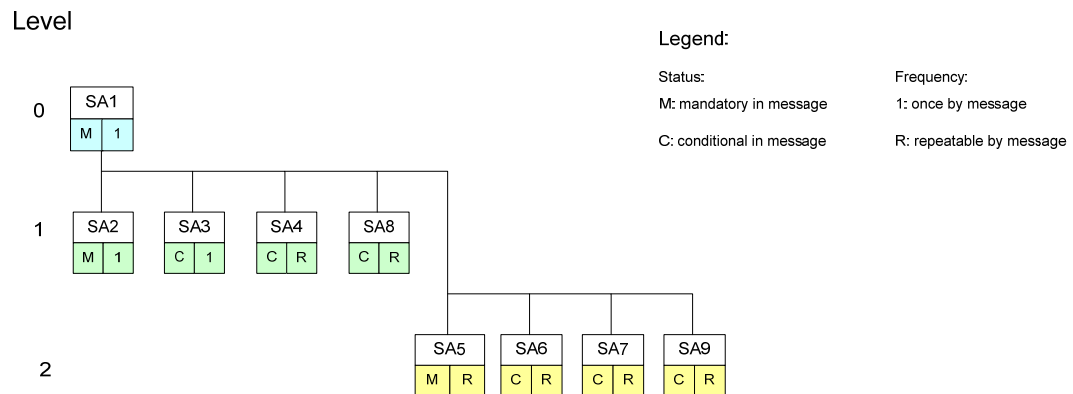
Available types of data records

This section describes the EDI in-house format for the Business Document type Order Change (incoming/outgoing). When you transmit information about orders, the use of the following types of data records is conditional (C) or respectively mandatory (M).

ID	Status	Name
SA1	M	Overhead
SA2	M	Order Header
SA3	C	Order Header Addresses
SA4	C	Oder Header Text
SA5	M	Order Line
SA6	C	Order Line Text
SA7	C	Order Line's Specific Delivery Address
SA8	C	Order Footer Text
SA9	M	Tax Exemption Certificate Text (outgoing only)

Branching diagrams

The following data record structure is used for the BEMIS message type Order Change:



For example, for two required orders with each two lines, the BEMIS file has the following structure:

SA1 ... Message Overhead

SA2 ... Order Header 1

SA3 ... Order Header 1 Addresses

SA4 ... Order Header 1 Text

SA8 ... Order Footer Text

SA5 ... Order Lines Item 11

SA6... Order Line text

SA7 ... Line's Delivery Address

SA5 ... Order Lines Item 12

SA6 ... Order Line text

SA7 ... Line's Delivery Address

SA1 ... Message Overhead

SA2 ... Order Header 2

SA3 ... Order Header 2 Addresses

- SA5 ... Order Lines Item 21
 - SA6 ... Order Line text
 - SA9 ... Product Variant Structure
- SA5 ... Order Lines Item 22
 - SA6 ... Order Line text
 - SA7 ... Line's Delivery Address

If an Order Line's Delivery Address (SA7) is not used for an item, then the Order Header Address (SA4) is defaulted to the line's delivery address in ERP LN.

If an Order Line's Delivery Address (SA7) is used for an item, then this delivery address is the valid address for this item.

Key fields outgoing

The outgoing message refers to the Buy-from-BP and the Purchase Order.
The following structure of the key fields is used to determine the corresponding data records of an order message:

Sorted by Key						
Kind	Data Rec.	key 1	key 2	key 3	key 4	key 5
field 1	Backpt					
SA1		Message ref.	BP net ID			
SA2	1	Message ref.	BP net ID	PO no.		
SA3	2	Message ref.	BP net ID	PO no.		
SA4	2	Message ref.	BP net ID	PO no.		
SA8	2	Message ref.	BP net ID	PO no.		
SA5	2	Message ref.	BP net ID	PO no.		
SA6	5	Message ref.	BP net ID	PO no.	PO pos.no.	Pos. sequence
SA7	5	Message ref.	BP net ID	PO no.	PO pos.no.	Pos. sequence
SA9	5	Message ref.	BP net ID	PO no.	PO pos.no.	Pos. sequence

Key fields incoming

The incoming message refers to the Sold-to-BP and the Sales Order. The following structure of the key fields is used to determine the corresponding data records of an order message:

Sorted by Key						
Kind	Data Rec.	key 1	key 2	key 3	key 4	key 5
field 1	Backpt					
SA1		Message ref.	BP net ID			
SA2	1	Message ref.	BP net ID	SO no.		
SA3	2	Message ref.	BP net ID	SO no.		
SA4	2	Message ref.	BP net ID	SO no.		
SA8	2	Message ref.	BP net ID	SO no.		
SA5	2	Message ref.	BP net ID	SO no.		
SA6	5	Message ref.	BP net ID	SO no.	SO pos.no	Pos. sequence
SA7	5	Message ref.	BP net ID	SO no.	SO pos.no	Pos. sequence

Business partner relations

The following table shows the business partner relations:

Outgoing Purchase Order		Incoming Sales Order	
ID of the sender	ecedi020.neta	Sold-to BP Code	tdsls400.ofbp
Ship-From BP-Code	tdpur400.sfbp tdpur401.stbp	Warehouse Code	tdsls400.cwar tdsls400.cwar
Warehouse Code	tdpur400.cwar tdpur401.cwar	Ship-to BP Code	tdsls400.stbp tdsls401.stbp
Ship-to Address Code	tdpur400.cadr	Ship-to Address Code	tdsls400.stad

Network directories

In the Direct Network Communication (ecedi7205m000) session, the user can receive and generate EDI messages.

As written in the User's Guide EDI Business Document [2], the communication is done between the EDI Sub-System and ERP LN to transfer the message's ASCII files across the specific network. This communication is based on the network directories that are established in ERP LN.

The network basis directories for each network will be defined in the ecedi0120m000 session.

The ERP LN user can decide the structure of the used network directories, such as the following:

- For every message type, one network directory can be used for outgoing messages and one can be used for incoming messages. This means that one message file contains data for several business partners.
- For a group of message types, such as Orders, one network directory can be used for outgoing messages and one can be used for incoming messages.
- Every business partner can use their own network directory, and the files would be able to contain data for several messages types.

Infor recommends the second possibility.

For the network BEMIS, for example, the basis directories can be indicated in the following way:

- /\${BSE}/edi/bemis/order/

ERP LN will additionally create the following subdirectories:

- `/${BSE}/edi/bemis/order/appl_from/`
- `/${BSE}/edi/bemis/order/appl_to/`
- `/${BSE}/edi/bemis/order/command/`
- `/${BSE}/edi/bemis/order/store_rcv/`
- `/${BSE}/edi/bemis/order/store_sent/`
- `/${BSE}/edi/bemis/order/trace/`

The above mentioned directories refer to one message type, “order change”. The directories have the following functions:

- **.../appl_from/:** In this directory, ERP LN records the outgoing messages that are the defined BEMIS in-house format files. The EDI Subsystem can collect them from here.
- **.../appl_to/:** The EDI Subsystem writes the incoming message into this directory in the ERP LN in-house format.
- **.../command/:** A directory of the semaphores.
- **.../store_rcv/:** ERP LN stores processed incoming messages in this directory, if the corresponding EDI parameter is set in this way. During this process, an additional subdirectory by incoming message file is created; the subdirectory is named with a date and time stamp that indicates when the message was moved.
- **.../store_sent/:** ERP LN stores processed outgoing messages in this directory, if the corresponding EDI parameter is set in this way. During this process, an additional subdirectory by incoming message file is created; the subdirectory is named with a date and time stamp that indicates when the message was moved.
- **.../trace/:** ERP LN creates a log of the incoming messages and outgoing messages in the processing order in this directory, if the corresponding EDI parameter is set in this way.

The file name of the BEMIS in-house format files of the order change, which is being described in this documentation, is defined in the following way:

Direction	File Name	Network Directory
outgoing	ORC001	<code>/\${BSE}/edi/bemis/order/appl_from</code>
incoming	ORC001	<code>/\${BSE}/edi/bemis/order/appl_to</code>

ERP LN BEMIS messages – conventions

Written in the User’s Guide for BEMIS [1], we use the following rules to structure the EDI message:

- Each data segment is defined by a unique code in an EDI message. The format of the data segment code is SA99. Each segment (message record) starts with the unique code “Sax”; the message record ends with “SAx_END”.
- The length of the several data segments can vary.
- Even if some fields do not contain a value, each data segment (message record) must consist of all fields.
- The fields in the file must be separated by a defined sign, such as a semicolon (;)
- A filled string field must be put inside quotation marks (“...”).
- If a position in a BEMIS Message File is not taken by a value, which means that the position is empty, then the position is pointed out using two semicolons. Also, the ERP LN EDI Module distinguishes between numerical data and alphanumerical data format, as shown in the following examples:

Empty numerical Position: “SAx”; ... ; ; ... ;”SAx_END”

Empty alphanumerical Position: Infor differs between the following, in case the field exists in the LN database:

“SAx”; ... ; ; ... ;”SAx_END” and “SAx”; ... ; “”; ... ;”SAx_END”

In the following sections are the format descriptions of the individual types of data segments (message records) of the interface file. The table contains the following data:

ORDER IN-HOUSE FORMAT

Pos	Field description	Key	ST	FM
-----	-------------------	-----	----	----

The first block of the table describes the format of a type of data record:

Pos Position of the field in the data record

Field description Description of the field

Key	Key field outgoing (O) / incoming (I)
ST	Field status mandatory (M) / conditional (C)
FM	Field format, for example. an..14 = alphanumerical field with a maximum of 14 characters an14 = alphanumerical field with exactly 14 characters n..10 = numerical field with a maximum of 10 characters n1 = numerical field with exactly 1 character

The second block of the table describes the corresponding table field in ERP LN and describes possible special actions, which will be carried out when the messages are being processed.

from Application Table Field (out) / Mapping to Table Field (in)

Table Field	Action

Following the table overview, every field is described in a more detailed way, including information about the processing in the EDI Sub-System and in ERP LN.

Consider one exception: if a position of the data record is not currently used, then Infor omits the detailed description of this empty position.

What is new in comparison to BEMIS for BAAN V?

- New message structure: 9 Data Segments instead of 6.
 - Each order level uses a separate text data record.
- Tax Exemption Certificate Text; it is used only in outgoing messages.
- The item identification is done by referring to the Alternative Item Code System using the qualifier in ecedi232.code – the default value is “SA”.

Chapter 2

Data Record Description by Type of Data Record

SA1 Message Overhead

Status: Mandatory
 Frequency: Once by order
 Description: This data record contains information about the transmitter, the message type and the time of the transmission. The message reference identifies all related data records of this message.

Order In-house Format					Mapping from Application Table Fields (out)		Mapping to Application Table Fields (in)	
Pos	Field Description	Key	ST	FM	Table field	Action	Table field	Action
1	Kind of data record	O/I	M	an3	SA1		SA1	
2	Message Reference	O/I	M	an..35	ecedi701.bano	Generation (see below)	ecedi702.bano	Generation by EDI Sub-System
3	Net ID of Sender	O/I	M	an..17	ecedi020.neta	Conversion (see below)	ecedi702.bpid	Conversion (see below)
4	Transmission Reference		M	an..20	tdpur400.orno		ecedi702.msno	

Order In-house Format				Mapping from Application Table Fields (out)		Mapping to Application Table Fields (in)	
5	Net ID of Receiver	M	an..17	ecedi028.neta	Conversion (see below)		
6	Organization	M	an..6	ecedi003.code	Conversion (see below)	ecedi702.orga	Conversion (see below)
7	Message	M	an..6	ecedi001.code	Conversion (see below)	ecedi702.mess	Conversion (see below)
8	Order Type	M	an..35	ecedi011.koor	Conversion (see below)	ecedi702.koor	Conversion (see below)
9	Identifier of Test	C	an1	empty (...;...)		ecedi702.test	
10	Date of transmission	M	n..14	current date		ecedi702.send	
11	Transmission time	M	n..6	current time			
12	Data record end sign	M	an7	SA1_END		SA1_END	

Detailed description: Order Change
 Kind of data record: SA1 Overhead

Position	1	Field Format	an3	Field Status	M
Field Name	<u>Kind of Data Record</u>		Key field Out / IN		
Description	This field identifies the kind of data record in the message block. It contains the constant value 'SA1'.				
Processing outgoing EDI Sub-System					
ERP LN	This field will be filled with the constant value 'SA1'.				
Processing Incoming EDI Sub-System	This field will be filled with the constant value 'SA1'.				
ERP LN	None				

Position	2	Field Format	an..14	Field Status	M
Field Name	<u>Message Reference</u>		Key field Out / IN		
Description	<p>This field identifies all connected data records of one order. The numbering, which has to be clear by order, helps to control the chronological order of the orders and the complete transmission. The field consists of a fix item with four characters, the current date (format: YYMMDD) and a serial number with four characters.</p> <p>The special format will be defined in the network parameters in the ERP LN table ecedi020. When generating the message reference with the EDI Sub-System, the created message reference needs to be specific, which means unique. While storing the message reference ERP LN controls whether it is specific.</p>				
Processing outgoing EDI Sub-System					
ERP LN	ERP LN generates this number to identify an order, stores it in the ERP LN table field ecedi701.bano and writes it into all data records of an order.				
Processing Incoming EDI Sub-System	The EDI Sub-System generates this number to identify an order and writes it into all data records of an order.				
ERP LN	Mapping to ERP LN table field ecedi702.bano.				

Position	3	Field Format	an..17	Field Status	M
Field Name	<u>Net ID of sender</u>		Key field Out / In		
Description	This field contains the identification of the sender (for example, the ILN Number)				
Processing outgoing EDI Sub-System	Transmission of the value from the message file.				
ERP LN	The identification is stored in the ERP LN table ecedi020 'Our Identification' under the corresponding network in the ERP LN table field ecedi020.neta. The content of this field is mapped to the position of the transmission file. Here you can store the general ILN-Number for your customer.				
Processing Incoming EDI Sub-System					
ERP LN	The identification of the sender determines the corresponding business partner (customer) and the network in the table ecedi028 'Relations by network'. This identification is mapped to the ERP LN table field ecedi702.bpid.				

Position	4	Field Format	an..20	Field Status	M
Field Name	<u>Transmission Reference</u>				
Description	This field contains the reference code which the EDI Sub-System applied to this transmission.				
Processing outgoing EDI Sub-System					
ERP LN	The position will be filled with the purchase order number from ERP LN table field tdpur400.orno				
Processing Incoming EDI Sub-System	Transmission of the value from the transmission file.				
ERP LN	Mapping to ERP LN table field ecedi702.msno. This field should contain the customer purchase order number.				

Position	5	Field Format	an..17	Field Status	M
Field Name	<u>Net ID of Receiver</u>				

Description	This field contains the identification of receiver.
Processing outgoing EDI Sub-System	
ERP LN	The identification of the receiver (for example, the ILN of the receiver) in the used network is entered in the table ecedi028. The ELP LN table field ecedi028.neta is mapped to this position.
Processing Incoming EDI Sub-System	Transmission of the value from the message file.
ERP LN	On the incoming side this field will be ignored.

Position	6	Field Format	an..6	Field Status	M
Field Name	<u>Organization</u>				

Description	This field contains the organization (Standard), which is used for the EDI communication.
Processing outgoing EDI Sub-System	
ERP LN	The internal organization code ecedi003.code 'BEMIS' from the ERP LN table ecedi003 'Organizations' is mapped to this position.
Processing Incoming EDI Sub-System	This field will be filled with the constant value 'BEMIS'.
ERP LN	Mapping to ERP LN table field ecedi702.org. The corresponding Organization must have been entered into the ERP LN table ecedi003.None

Position	7	Field Format	an..6	Field Status	M
Field Name	<u>Message</u>				
Description	This field contains the code for the identification of the concerned message. The code for the message type 'Orders' is ORC001.				
Processing outgoing EDI Sub-System	.				
ERP LN	The internal message code ecedi001.code 'ORC001' of the ERP LN table ecedi001 'Supported EDI messages' is mapped to this position.				
Processing Incoming EDI Sub-System	This field will be filled with the constant value 'ORC001'.				
ERP LN	The message code in the table ecedi001 'Supported EDI Messages' determines which internal message in ERP LN is connected to this order. In the ERP LN table ecedi005 'EDI Messages' is determined for every message which session (DLL) is used in ERP LN to process the order. The message code is mapped to the ERP LN table field ecedi702.mess.				

Position	8	Field Format	an..35	Field Status	M
Field Name	<u>Order Type</u>				
Description	This field contains a code for the concerned order type.				
Processing outgoing EDI Sub-System					
ERP LN	In the ERP LN table ecedi011 there must be an entry for this order type in connection with the respective message and organization. The ERP LN table field ecedi011.koor is mapped to this position. This field is filled with the EDIFACT order types. For example "220" for normal orders. The in-house order type is converted in ecedi433.				
Processing Incoming EDI Sub-System					
ERP LN	Mapping to ERP LN table field ecedi702.koor. In the ERP LN table ecedi200 there must be an entry for this order type in connection with the respective message and organization.				

Position	9	Field Format	an1	Field Status	C
Field Name	<u>Identifier of Test</u>				
Description	This field contains the code that will identify incoming messages for this organization as test messages. A test message is checked, but not copied to the database.				
Processing outgoing EDI Sub-System					
ERP LN	The position will be filled with the ERP LN table field ecedi003.test				
Processing Incoming EDI Sub-System	Transmission of the value from the transmission file.				
ERP LN	Mapping to ERP LN table field ecedi702.test.				

Position	10	Field Format	n..14	Field Status	M
Field Name	<u>Date / Time of Transmission</u>				
Description	This field contains on the outgoing side the current date / time, on which the order message was created. On the incoming side, this field contains the arrival date / time of the order at the EDI Sub-System (format: YYYYMMDDHHMMSS).				
Processing outgoing EDI Sub-System					
ERP LN	Mapping of the current date / time to the position.				
Processing Incoming EDI Sub-System	Entry of the arrival date / time of the message at the EDI Sub-System.				
ERP LN	Mapping to ERP LN table field ecedi702.send				

Position	11	Field Format	n..6	Field Status	C
Field Name	<u>Transmission Time</u>				

Description This field contains the transmission time of the message – only on the outgoing side referring to pos. 9.

Processing outgoing
EDI Sub-System

ERP LN The position could be filled with the current time.

Processing Incoming
EDI Sub-System

ERP LN N. A.

Position	12	Field Format	an7	Field Status	M
Field Name	<u>Data Record end sign</u>				

Description This field identifies the end of data record in the message block. It contains the constant value 'SA1_END'.

Processing outgoing
EDI Sub-System

ERP LN This field will be filled with the constant value 'SA1_END'.

Processing Incoming
EDI Sub-System

This field will be filled with the constant value 'SA1_END'.

ERP LN None

SA2 Order Header

Status: Mandatory
Frequency: Once by order
Description: This data record contains all information of the order header except of address and text data, and it is related to SA1.

Order In-house Format					Mapping from Application Table Fields (out)		Mapping to Application Table Fields (in)	
Pos	Field Description	Key	ST	FM	Table field	Action	Table field	Action
1	Kind of data record	O/I	M	an3	SA2		SA2	
2	Message Reference	O/I	M	an..35	ecedi701.bano	Generation (see below)	ecedi702.bano	Generation by EDI Sub-System
3	Net ID of Sender	O/I	M	an..17	ecedi020.neta	Conversion (see below)	ecedi702.bpid	Conversion (see below)
4	(Customer) Order No.	O/I	M	an..9 an..30	tdpur400.orno		tdsls400.corn	
5								
6	Change Type Lines		C	an..6	tdpur400.ctcd	Code and Conversion	tdsls400.ctcd	Conversion (see below)
7	Change Reason Lines		C	an..6	tdpur400.crcd	Code and Conversion	tdsls400.crcd	Conversion (see below)
8	Change Order Sequence Number		C	an..8	tdpur400.cosn		tdsls400.cosn	
9	Order date / time		C	n..14	tdpur400.odat		tdsls400.odat	

Order In-house Format				Mapping from Application Table Fields (out)		Mapping to Application Table Fields (in)	
10	Delivery date / time	C	n..14	tdpur400.ddat	Evaluation Expression ¹ Confirmed Delivery Date	tdsls400.ddat	
11	Confirmed / Planned Receipt Date	C	n..14	tdpur400.ddtc	Evaluation Expression ² Confirmed Delivery Date	tdsls400.prdt	
12	Reference A	C	an..30	tdpur400.refa		tdsls400.refa	
13	Reference B	C	an..20	tdpur400.refb		tdsls400.refb	
14	Contract	C	an..9	tdpur400.pmo	Code and Conversion	tdsls400.pmo	Code and Conversion
15	Terms of Delivery	C	an..6	tdpur400.cdec	Code and Conversion	tdsls400.cdec	Code and Conversion
16	Description	C	an..30	tcmcs041.dsca			
17	Carrier	C	an..20	tdpur400.cfrw	Code and Conversion	tdsls400.cfrw	Code and Conversion
18	Description	C	an..30	tcmcs080.dsca			
19	Late Payment Surcharge	C	an..6	tdpur400.ccrs	Code and Conversion	tdsls400.ccrs	Code and Conversion
20	Description	C	an..30	tcmcs011.dsca			
21	Terms of Payment	C	an..6	tdpur400.cpay	Code and Conversion	tdsls400.cpay	Code and Conversion
22	Description	C	an..30	tcmcs013.dsca			
23	Payment Period	C	n2	tcmcs013.pper			
24	Discount Period 1	C	n2	tcmcs013.disa			
25	Discount Percentage 1	C	an..4	tcmcs013.prca			

¹ CHD = tdpur400.ddtc <> 0

² CHD = tdpur400.ddtc <> 0

Order In-house Format				Mapping from Application Table Fields (out)		Mapping to Application Table Fields (in)	
26	Order Currency	C	an..6	tdpur400.ccur	Code and Conversion	tdsls400.ccur	Code and Conversion
27							
28	Purchase / Sales Price List	C	an..3	tdpur400.cplp		tdsls400.cpls	
29	Area	C	an..3			tdsls400.creg	
30	Line of Business	C	an..6			tdsls400.cbrn	
31	Order Discount	C	n..6			tdsls400.odis	
32	Purchase Office / Sold-to BP	C	an..6 an..20	tdpur400.cofc	Code and Conversion	tdsls400.ofbp	Code and Conversion
33	Qualifier Address code	C	an..6	ecedi218 / ZZ		ZZ	
34	Address/ BP Code	C		empty (...;...)		OFBP	
35	Buy-from BP / Sales Office	M	an..20 an..6	tdpur400.otbp	Code and Conversion	tdsls400.cofc	Code and Conversion
36	Qualifier Address code	C	an..6	ecedi218 / ZZ		ZZ	
37	Address/ BP Code	C	an..6	ecedi224.code / OTBP			
38	Ship-from BP / Ship-to-BP	C	an..20 an..6	tdpur400.sfbp	Code and Conversion	tdsls400.cwar	Code and Conversion
39	Qualifier Address code	C	an..6	ecedi218 / ZZ		ZZ	
40	Address/ BP Code	C	an..6	ecedi224.code / SFBP			
41	Invoice-from BP / Invoice-to-BP	C	an..20	tdpur400.ifbp	Code and Conversion	tdsls400.itbp	Code and Conversion
42	Qualifier Address Code	C	an..6	ecedi218.code / ZZ			
43	Address/ BP code	C	an..6	ecedi224.code		ITBP	
44	Pay-to BP / Pay-by BP	C	an..20	tdpur400.ptbp	Code and Conversion	tdsls400.pfbp	Code and Conversion
45	Qualifier Address Code	C	an..6	ecedi218.code / ZZ			

Order In-house Format					Mapping from Application Table Fields (out)	Mapping to Application Table Fields (in)
46	Address/ BP code	C	an..6	ecedi224.code	PBBP	
47	Warehouse / Ship-to BP	C	an..6 an..20	tdpur400.cwar Code and Conversion	tdsls400.stbp Code and Conversion	
48	Qualifier Address Code	C	an..6	ecedi218.code / ZZ	ZZ	
49	Address Code WH	C	an..6	ecedi224.code	STBP	
50	Self-Billed Invoice	C	n1	tdpur400.sbim	tdsls400.sbim	
51	Point of Title passage	C	an..9	tdpur400.ptpa	tdsls400.ptpa	
52	Description	C	an..30	tcmcs042.dsca		
53	Data Record End Sign	O/I	M an7	SA2_END	SA2_END	

Detailed description: Order Change

Kind of data record: SA2 Header

Position	1	Field Format	an3	Field Status	M
Field Name	<u>Kind of Data Record</u>		Key field Out / IN		

Description This field identifies the kind of data record in the message block. It contains the constant value 'SA2'.

Processing outgoing
EDI Sub-System

ERP LN This field will be filled with the constant value 'SA2'.

Processing Incoming
EDI Sub-System

This field will be filled with the constant value 'SA2'.

ERP LN None

Position	2	Field Format	an..35	Field Status	M
Field Name	<u>Message Reference</u>		Key field Out / IN		

Description This field identifies all connected data records of one order. The numbering, which has to be clear by order, helps to control the chronological order of the orders and the complete transmission.

Processing outgoing
EDI Sub-System

ERP LN Analogously to data record SA1

Processing Incoming
EDI Sub-System

ERP LN Analogously to data record SA1

Position	3	Field Format	an..17	Field Status	M
Field Name	<u>Net ID of sender</u>		Key field Out / In		

Description This field contains the identification of the sender (for example, the ILN Number)

Processing outgoing

EDI Sub-System

Transmission of the value from the message file.

ERP LN

Analogously to data record SA1

Processing Incoming

EDI Sub-System

ERP LN

Analogously to data record SA1

Position	4	Field Format	an..9 / an..30	Field Status	M
Field Name	<u>Order Number</u>		Key field Out / In		

Description This field contains the origin Order Number.

Processing outgoing

EDI Sub-System

None

ERP LN

The purchase order number is mapped from ERP LN table field tdpur400.orno to this position.

Processing Incoming

EDI Sub-System

Transmission of the value from the message file.

ERP LN

Mapping to ERP LN table field tds400.corn

Position	6	Field Format	an..6	Field Status	C
Field Name	<u>Change Type Lines</u>				

Description This field contains the Change Type Lines Code. A Conversion is possible.

Processing outgoing
EDI Sub-System

None

ERP LN

The change type lines code is mapped from ERP LN table tdpur400.ctcd to this position after conversion with ERP LN table ecedi493.

Processing Incoming
EDI Sub-System

Transmission of the value from the message file.

ERP LN

Mapping to the ERP LN table field tdsis400.ctcd after conversion with ERP LN table ecedi344.

Position	7	Field Format	an..6	Field Status	C
Field Name	<u>Change Reason Lines</u>				

Description This field contains the Change Reason Lines Code which is defined with the business partner. A Conversion is possible.

Processing outgoing
EDI Sub-System None

ERP LN The change reason lines code is mapped from ERP LN table tdpur400.crcd to this position after conversion with ERP LN table ecedi492.

Processing Incoming
EDI Sub-System Transmission of the value from the message file.

ERP LN Mapping to the ERP LN table field tdsIs400.crcd after conversion with ERP LN table ecedi343.

Position	8	Field Format	an..8	Field Status	M
Field Name	<u>Change Order Sequence Number</u>				

Description This field contains the Change Order Sequence Number.

Processing outgoing
EDI Sub-System None

ERP LN The change order sequence number is mapped from ERP LN table field tdpur400.cosn to this position.

Processing Incoming
EDI Sub-System Transmission of the value from the message file.

ERP LN Mapping to ERP LN table field tdsIs400.cosn

Position	9	Field Format	an..14	Field Status	C
Field Name	<u>Order Date / Time</u>				
Description	This field contains the date / time (YYYYMMDDHHMMSS) the order is entered in the system.				
Processing outgoing EDI Sub-System	None				
ERP LN	The purchase order delivery date / time from ERP LN table field tdpur400.odat is mapped to this position.				
Processing Incoming EDI Sub-System	Transmission of the value from the message file.				
ERP LN	Mapping to ERP LN table field tdsls400.odat				

Position	10	Field Format	an..14	Field Status	C
Field Name	<u>Delivery Date / Time</u>				
Description	This field contains the delivery date / time (YYYYMMDDHHMMSS) of the Order. On the outgoing side the field is used referring to the confirmed receipt date tdpur400.ddtc or the planned receipt date tdpur400.ddat depending on the evaluation expression CDH.				
Processing outgoing EDI Sub-System	None				
ERP LN	The planned receipt date / time is mapped from ERP LN table field tdpur400.ddtc in case of tdpur400.ddtc <> 0 or other sites from tdpur400.ddat to this position.				
Processing Incoming EDI Sub-System	Transmission of the value from the message file.				
ERP LN	Mapping to ERP LN table field tdsls400.ddat				

Position	11	Field Format	an..14	Field Status	C
Field Name	<u>Confirmed Planned Receipt Date / Time</u>				

Description This field contains the date / time (YYYYMMDDHHMMSS) of the Planned Receipt Date.
On the outgoing side the field is used referring to the confirmed receipt date tdpur401.ddtc or the planned receipt date tdpur400.ddat depending on the evaluation expression CDH.

Processing outgoing
EDI Sub-System None

ERP LN The planned receipt date / time is mapped from ERP LN table field tdpur400.ddtc in case of tdpur400.ddtc <> 0 or other sites from tdpur400.ddat to this position.

Processing Incoming
EDI Sub-System Transmission of the value from the message file.

ERP LN Mapping to ERP LN table field tdsls400.prdt

Position	12	Field Format	an..30	Field Status	C
Field Name	<u>Reference A</u>				

Description This field contains the first extra reference by which the order can be identified. This reference is printed on various order documents and lists.

Processing outgoing
EDI Sub-System None

ERP LN The ERP LN table field tdpur400.refa is mapped to this position.

Processing Incoming
EDI Sub-System Transmission of the value from the message file.

ERP LN Mapping to ERP LN table field tdsls400.refa

Position	13	Field Format	an..20	Field Status	C
Field Name	<u>Reference B</u>				

Description This field contains the second extra reference field that you can fill with extra information. This reference is printed on the order documents and lists.

Processing outgoing
EDI Sub-System

None

ERP LN

The ERP LN table field tdpur400.refb is mapped to this position

Processing Incoming
EDI Sub-System

Transmission of the value from the message file.

ERP LN

Mapping to ERP LN table field tdsIs400.refb

Position	14	Field Format	an..9	Field Status	C
Field Name	<u>Contract</u>				

Description This field contains the Contract Number which is defined with the business partner. A Conversion is possible.

Processing outgoing
EDI Sub-System

None

ERP LN

The purchase contract number is mapped from ERP LN table tdpur400.pno to this position after conversion with ERP LN table ecedi453.

Processing Incoming
EDI Sub-System

Transmission of the value from the message file.

ERP LN

Mapping to the ERP LN table field tdsIs400.pno after conversion with ERP LN table ecedi314.

Position	15	Field Format	an..6	Field Status	C
Field Name	<u>Terms of Delivery</u>				
Description	<p>This field contains a code for the Term of Delivery. This field indicates how to frank the shipment. It contains a unique alphanumeric identification.</p> <p>You could use the EDIFACT notification or an own definition, for example. CFR = Cost and Freight CIF = Cost, Insurance and Freight DES = Delivered Ex Ship DDU = Delivered Duty Unpaid FCA = Free Carrier</p>				
Processing outgoing EDI Sub-System	None				
ERP LN	The purchase contract number is mapped from ERP LN table tdpur400.cdec to this position after conversion with ERP LN table ecedi430.				
Processing Incoming EDI Sub-System	Transmission of the value from the message file.				
ERP LN	Mapping to the ERP LN table field tdsIs400.cdec after conversion with ERP LN table ecedi300.				

Position	16	Field Format	an..30	Field Status	C
Field Name	<u>Description (Term of Delivery)</u>				
Description	<p>This field contains the description of the code for the Term of Delivery. It is used in the outgoing messages only.</p>				
Processing outgoing EDI Sub-System	None				
ERP LN	The description is mapped from the ERP LN Table field tcmcs041.dsca.				
Processing Incoming EDI Sub-System					
ERP LN					

Position	17	Field Format	an..20	Field Status	C
Field Name	<u>Carrier</u>				
Description	This field contains the Carrier's Code which is used for this order. The code list has to be agreed with the Business Partner.				
Processing outgoing EDI Sub-System	None				
ERP LN	The Code for the Forwarding Agent of the purchase order from ERP LN table field tdpur400.cfw is mapped to this position and converted with ERP LN table ecedi456.				
Processing Incoming EDI Sub-System	Transmission of the value from the message file.				
ERP LN	Mapping to the ERP LN table field tdsIs400.cfw and conversion with ERP LN table ecedi318.				

Position	18	Field Format	an..30	Field Status	C
Field Name	<u>Description (Carrier)</u>				
Description	This field contains the description of the code for the Term of Delivery. It is used in the outgoing messages only.				
Processing outgoing EDI Sub-System	None				
ERP LN	The description is mapped from the ERP LN Table field tcmcs080.dsca.				
Processing Incoming EDI Sub-System					
ERP LN					

Position	19	Field Format	an..6	Field Status	C
Field Name	<u>Late Payment Surcharge</u>				
Description	This field contains the percentage that is charged over the goods amount that has to pay if the bill is not paid within a specified period.				
Processing outgoing EDI Sub-System	None				
ERP LN	The Late Payment Surcharge of the purchase order from ERP LN table field tdpur400.ccrs is mapped to this position. A conversion has to be done with ERP LN table ecedi470.				
Processing Incoming EDI Sub-System	Transmission of the value from the message file.				
ERP LN	Mapping to the ERP LN table field tdsls400.ccrs and conversion with ERP LN table ecedi330.				

Position	20	Field Format	an..30	Field Status	C
Field Name	<u>Description (Late Pmt Surch.)</u>				
Description	This field contains the description of the code for the Late Payment Surcharge. It is used in the outgoing messages only.				
Processing outgoing EDI Sub-System	None				
ERP LN	The description is mapped from the ERP LN Table field tcmcs011.dsca.				
Processing Incoming EDI Sub-System					
ERP LN					

Position	21	Field Format	an..6	Field Status	C
Field Name	<u>Terms of Payment</u>				
Description	This field contains a Code for the Terms of Payment agreed upon with the relation.				
Processing outgoing EDI Sub-System	None				
ERP LN	The Terms of Delivery of the purchase order from ERP LN table field tdpur400.cpay is mapped to this position and converted using the table ecedi466.				
Processing Incoming EDI Sub-System	Transmission of the value from the message file.				
ERP LN	Mapping to the ERP LN table field tdsls400.cpay and conversion via ERP LN table ecedi326.				

Position	22	Field Format	an..30	Field Status	C
Field Name	<u>Description (Term of Payment)</u>				
Description	This field contains the description of the code for the Term of Payment. It is used in the outgoing messages only.				
Processing outgoing EDI Sub-System	None				
ERP LN	The description is mapped from the ERP LN Table field tcmcs013.dsca.				
Processing Incoming EDI Sub-System					
ERP LN					

Position	23	Field Format	n2	Field Status	C
Field Name	<u>Payment Period</u>				

Description This field contains the number of days or months that ERP LN adds to the invoice document date for calculating the due date. The period refers to the term of payment.

Processing outgoing
EDI Sub-System

None

ERP LN

The period is mapped from ERP LN table tcmcs013.pper

Processing Incoming
EDI Sub-System

ERP LN

Position	24	Field Format	n2	Field Status	C
Field Name	<u>Discount Period 1</u>				

Description This field contains the number of days after the invoice date, during which the first discount percentage can be subtracted from the invoice amount. The period refers to the term of payment.

Processing outgoing
EDI Sub-System

None

ERP LN

The period is mapped from ERP LN table tcmcs013.disa

Processing Incoming
EDI Sub-System

ERP LN

Position	25	Field Format	an..4	Field Status	C
Field Name	<u>Discount Percentage 1</u>				

Description This field contains the percentage of the invoice amount that can be subtracted on payment within the first discount period. The period refers to the term of payment.

Processing outgoing
EDI Sub-System

None

ERP LN

The period is mapped from ERP LN table tcmcs013.prca

Processing Incoming
EDI Sub-System

ERP LN

Position	26	Field Format	an..6	Field Status	C
Field Name	<u>Order Currency</u>				

Description This field contains the Currency relevant for the order. It contains the clear alphanumerical identification of the currency. The currency code will be defined according to ISO 4217. For detailed information please refer to []

Processing outgoing
EDI Sub-System

None

ERP LN

The Currency relevant for the purchase order from ERP LN table field tdpur400.ccur is mapped to this position and converted using table ecedi438.

Processing Incoming
EDI Sub-System

Transmission of the value from the message file.

ERP LN

Mapping to the ERP LN table field tdsls400.ccur and conversion with ERP LN table ecedi324.

Position	28	Field Format	an..3	Field Status	C
Field Name	<u>Purchase sales Price List</u>				

Description This field contains the price list code used for the order. The code has to be agreed upon with the relation.

Processing outgoing
EDI Sub-System None

ERP LN The code for the Purchase Price List from ERP LN table field tdpur400.cplp is mapped to this position.

Processing Incoming
EDI Sub-System Transmission of the value from the message file.

ERP LN Mapping to the EREP LN table field tdsls400.cpls.

Position	29	Field Format	an..3	Field Status	C
Field Name	<u>Area</u>				

Description This field contains the code of the region which groups the buy-from / sold-to-business partners on a geographical basis.

Processing outgoing
EDI Sub-System None

ERP LN The code for the Area from ERP LN table field tdpur400.creg is mapped to this position.

Processing Incoming
EDI Sub-System Transmission of the value from the message file.

ERP LN Mapping to the EREP LN table field tdsls400.creg.

Position	30	Field Format	an..6	Field Status	C
Field Name	<u>Line of Business</u>				

Description	This field contains the code of a business sector which groups the buy-from / sold-to-business partners. The Code must be mutual defined with each BP. A conversion is not possible.
Processing outgoing EDI Sub-System	None
ERP LN	The code for the Area from ERP LN table field tdpur400.cbrn is mapped to this position.
Processing Incoming EDI Sub-System	Transmission of the value from the message file.
ERP LN	Mapping to the EREP LN table field tdsls400.cbrn.

Position	31	Field Format	an..6	Field Status	C
Field Name	<u>Order Discount</u>				

Description	This field contains the Order Discount related to the complete order amount defined in percentage: NNN.NN. Maximum is 100.00
Processing outgoing EDI Sub-System	None
ERP LN	The Order Discount of the purchase order from ERP LN table field tdpur400.odis is mapped to this position.
Processing Incoming EDI Sub-System	Transmission of the value from the message file.
ERP LN	Mapping to the ERP LN table field tdsls400.odis

Position	32	Field Format	an..6 / an..20	Field Status	C
Field Name	<u>Purchase Office / Sold-to BP</u>				
Description	The code of the purchase office (Out) or the Sold-to BP (In).				
Processing outgoing EDI Sub-System	None				
ERP LN	The Code for Purchase Office from ERP LN table field tdpur400.cofc is converted using the conversion table ecedi420 and the default qualifier "ZZ" and is mapped to this position.				
Processing Incoming EDI Sub-System	Transmission of the value from the message file.				
ERP LN	The Code for the Ship-To-Business Partner has to convert using the conversion table ecedi363 and Address Code ID given in ecedi224, and it has to map to the EREP LN table field tdsls400.ofbp.				

Position	33	Field Format	an..6	Field Status	C
Field Name	<u>Qualifier Address Code</u>				
Description	This position is used to store the default qualifier 1for the Address code which is defined in the message definition.				
Processing outgoing EDI Sub-System	None				
ERP LN	"ZZ"				
Processing Incoming EDI Sub-System					
ERP LN	"ZZ"				

The Default Qualifier 1 is stored in Pos. 36, 39, 42, 45 and 48 analogously.

Position	34	Field Format	an..6	Field Status	C
Field Name	<u>Address/ BP Code</u>				
Description	This position is used to send a constant value in the outgoing message.				
Processing outgoing EDI Sub-System	None				
ERP LN	""				
Processing Incoming EDI Sub-System					
ERP LN	Use the code "OFBP" to identify the Sold-to BP.				

Position	35	Field Format	an..20	Field Status	C
Field Name	<u>Buy-from-BP / Sales Office</u>				
Description	This position contains the code for the Business Partner where the customer buys its goods.				
Processing outgoing EDI Sub-System	None				
ERP LN	The Code for the Buy From Business Partner from ERP LN table field tdpur400.otbp is converted using the conversion table ecedi463 and the default Qualifier "ZZ", and it is mapped to this position.				
Processing Incoming EDI Sub-System	Transmission of the value from the message file.				
ERP LN	The Code for the customer's Sales Office has to convert using the Address Code ID = "ZZ", and it has to map to the EREP LN table field tds400.cofc.				

Position	37	Field Format	an..6	Field Status	C
Field Name	<u>Address / BP Code</u>				

Description This position contains the standard qualifier 2 for the Buy-from / Sold-to Business Partner.

Processing outgoing
EDI Sub-System None

ERP LN The ERP LN table field ecedi224.code referring to the Qualifier Address Code is mapped to this position.
Default value is the constant "BFBP".

Processing Incoming
EDI Sub-System

ERP LN

Position	38	Field Format	an..20	Field Status	C
Field Name	<u>Ship-from-BP / Warehouse</u>				

Description This position contains the code for the Business Partner where from the goods are shipped.

Processing outgoing
EDI Sub-System None

ERP LN The Code for the Ship From Business Partner from ERP LN table field tdpur400.sfbp is converted using the conversion table ecedi463 and the default Qualifier "ZZ", and it is mapped to this position.

Processing Incoming
EDI Sub-System Transmission of the value from the message file.

ERP LN The Code for the Warehouse has to convert using the Address Code ID = "ZZ", and it has to map to the ERP LN table field tds400.cwar.

Position	40	Field Format	an...6	Field Status	C
Field Name	<u>Address / BP Code</u>				

Description This position contains the standard qualifier 2 for the Ship-from / Ship-to Business Partner.

Processing outgoing
EDI Sub-System

None

ERP LN

The ERP LN table field ecedi224.code referring to the Qualifier Address Code is mapped to this position.

Default value is the constant "SFBP".

Processing Incoming
EDI Sub-System

ERP LN

Position	41	Field Format	an..20	Field Status	C
Field Name	<u>Invoice-from-BP / Invoice-to-BP</u>				

Description This position contains the code for the Business Partner who will send the invoice to the customer.

Processing outgoing
EDI Sub-System

None

ERP LN

The Code for the Invoice From Business Partner from ERP LN table field tdpur400.ifbp is converted using the conversion table ecedi463 and the default Qualifier "ZZ", and it is mapped to this position.

Processing Incoming
EDI Sub-System

Transmission of the value from the message file.

ERP LN

The Code for the Invoice-To-Business Partner has to convert using the conversion table ecedi363 and Address Code ID given in ecedi224, and it has to map to the EREP LN table field tds400.itbp.

Position	43	Field Format	an..6	Field Status	C
Field Name	<u>Address / BP Code</u>				

Description
This position contains the standard qualifier 2 for the Invoice-from Business Partner.

Processing outgoing
EDI Sub-System
None

ERP LN
The ERP LN table field ecedi224.code referring to the Qualifier Address Code is mapped to this position.
Default value is the constant "IFBP".

Processing Incoming
EDI Sub-System

ERP LN
Use the code "ITBP" to identify the Invoice-to BP.

Position	44	Field Format	an..20	Field Status	C
Field Name	<u>Pay-to BP / Pay-By BP</u>				

Description
This position contains the code for the Business Partner who will get the money from the customer.

Processing outgoing
EDI Sub-System
None

ERP LN
The Code for the Pay To Business Partner from ERP LN table field tdpur400.ptbp is converted using the conversion table ecedi463 and the default Qualifier "ZZ", and it is mapped to this position.

Processing Incoming
EDI Sub-System
Transmission of the value from the message file.

ERP LN
Mapping to the ERP LN table field tds400.pbbp using the conversion table ecedi363 and Address Code ID given in ecedi224.

Position	46	Field Format	an..6	Field Status	C
Field Name	<u>Address / BP Code</u>				

Description This position contains the standard qualifier 2 for the Pay-to / Pay-by Business Partner.

Processing outgoing
EDI Sub-System

None

ERP LN

The ERP LN table field ecedi224.code referring to the Qualifier Address Code is mapped to this position.

Default value is the constant "PTBP".

Processing Incoming
EDI Sub-System

ERP LN

Use the code "PBBP" to identify the Pay-by BP.

Position	47	Field Format	an..20	Field Status	C
Field Name	<u>Warehouse / Ship-to BP</u>				

Description This position contains the code of the Receipt Warehouse of the message sender.

Processing outgoing
EDI Sub-System

None

ERP LN

The Code for the Warehouse from ERP LN table field tdpur400.cwar is converted using the conversion table ecedi463 and the default Qualifier "ZZ", and it is mapped to this position.

Processing Incoming
EDI Sub-System

Transmission of the value from the message file.

ERP LN

The Code for the Ship-to BP has to convert using the conversion table ecedi328 and Address Code ID given in ecedi224, and it has to map to the ERP LN table field tds400.STBP.

Position	49	Field Format	an..6	Field Status	C
Field Name	<u>Address/ BP Code</u>				

Description This position contains the standard qualifier 2 for the Warehouse

Processing outgoing
EDI Sub-System None

ERP LN The ERP LN table field ecedi224.code referring to the Qualifier Address Code is mapped to this position.
Default value is the constant "CWAR".

Processing Incoming
EDI Sub-System

ERP LN Use the code "STBP" to identify the Ship-to BP.

Position	50	Field Format	n1	Field Status	C
Field Name	<u>Self-Billed Invoice</u>				

Description This qualifier is used to show whether self billed Invoicing is used or not.
Used codes:
"0" means empty position
"1" means yes
"2" means no

Processing outgoing
EDI Sub-System None

ERP LN The Code for Self Billed Invoicing from ERP LN table field tdpur400.sbin is mapped to this position.

Processing Incoming
EDI Sub-System Transmission of the value from the message file.

ERP LN Mapping to the EREP LN table field tds400.sbin.

Position	51	Field Format	an..9	Field Status	C
Field Name	<u>Point of title Passage</u>				
Description	The field identifies the point at which the legal ownership changes.				
Processing outgoing EDI Sub-System	None				
ERP LN	The ERP LN table field tdpur400.ptpa is mapped to this position.				
Processing Incoming EDI Sub-System	Transmission of the value from the message file.				
ERP LN	Mapping to the EREP LN table field tdsls400.ptpa.				

Position	52	Field Format	an..30	Field Status	C
Field Name	<u>Description PTPA</u>				
Description	The field contains the description of the point of title passage.				
Processing outgoing EDI Sub-System	None				
ERP LN	The ERP LN table field tcmcs042.dsca is mapped to this position.				
Processing Incoming EDI Sub-System					
ERP LN	None				

Position	53	Field Format	an7	Field Status	M
Field Name	<u>Data Record end sign</u>				

Description This field identifies the end of data record in the message block. It contains the constant value 'SA2_END'.

Processing outgoing
EDI Sub-System

ERP LN This field will be filled with the constant value 'SA2_END'.

Processing Incoming
EDI Sub-System

This field will be filled with the constant value 'SA2_END'.

ERP LN None

SA3 Order Specific Addresses

Status: Conditional
 Frequency: Multiple by order number
 Description: This data record contains the specific addresses of the order header and is related to data record SA2.

Order In-house Format					Mapping from Application Table Fields (out)		Mapping to Application Table Fields (in)	
Pos	Field Description	Key	ST	FM	Table field	Action	Table field	Action
1	Kind of data record	O/I	M	an3	SA3		SA3	
2	Message Reference	O/I	M	an..35	ecedi701.bano	Generation (see below)	ecedi702.bano	Generation by EDI Sub-System
3	Net ID of Sender	O/I	M	an..17	ecedi020.neta	Conversion (see below)	ecedi702.bpid	Conversion (see below)
4	(Customer) Order No.	O/I	M	an..9 an..30	tdpur400.orno		tdsls400.corn	
5	Address Qualifier		M	an..6	ecedi224.code	Conversion Evaluation Expression ³	ecedi224.code	Conversion

³ Business Partner's Role

OTAD = tccom100.inrl = tcyesno.no or (strip(tdpur400.otad) <> "" and tdpur400.otad <> tccom120.cadr)

SFAD = tccom100.inrl = tcyesno.no or (strip(tdpur400.sfad) <> "" and tdpur400.sfad <> tccom121.cadr)

IFAD = tccom100.inrl = tcyesno.no or (strip(tdpur400.ifad) <> "" and tdpur400.ifad <> tccom122.cadr)

PTAD = tccom100.inrl = tcyesno.no or (strip(tdpur400.ptad) <> "" and tdpur400.ptad <> tccom124.cadr)

Order In-house Format			Mapping from Application Table Fields (out)	Mapping to Application Table Fields (in)
6	Country	C an..3	tccom130.ccty Code and conversion Evaluation Expression	tccom130.ccty Code and conversion
7	Name	C an..35	tccom130.nama Evaluation Expression	tccom130.nama
8	Name 2	C an..35	tccom130.namb Evaluation Expression	tccom130.namb
9	Address	C an..30	tccom130.namc Evaluation Expression	tccom130.namc
10	Address 2	C an..30	tccom130.namd Evaluation Expression	tccom130.namd
11				
12	City 2	C an..30	tccom130.namf Evaluation Expression	tccom130.namf
13	ZIP / Postal Code	C an..10	tccom130.pstc Evaluation Expression	tccom130.pstc
14	State / Province	C an..2	tccom130.cste Evaluation Expression	tccom130.cste
15	Telephone	C an..32	tccom130.telp Evaluation Expression	tccom130.telp
16	Telex	C an..15	tccom130.telx Evaluation Expression	tccom130.telx
17	Fax	C an..32	tccom130.tefx Evaluation Expression	tccom130.tefx
18	GEO Code	C an..10	tccom130.geoc Evaluation Expression	tccom130.geoc

HDRDEL = (tccom100.inrl = tcyesno.no and strip(tdpur400.cadr) <> "") or
(tccom100.inrl = tcyesno.yes and strip(tdpur400.cadr) <> "" and
tdpur400.cadr <> tcmcs003.cadr)

Order In-house Format					Mapping from Application Table Fields (out)		Mapping to Application Table Fields (in)
19	House number	C	an..10	tccom130.hono	Evaluation Expression	tccom130.hono	
20	P.O. Box Number	C	an..10	tccom130.pobn	Evaluation Expression	tccom130.pobn	
21							
22	City Description	C	an..30	tccom130.dsca	Evaluation Expression	tccom130.dsca	
23	City Code	C	an..8	tccom130.ccit	Evaluation Expression	tccom130.ccit	
24	Data Record End Sign	O/I	M an7	SA3_END		SA3_END	

The Data Record SA3 appears repeatedly for the different Business Partner's Address referring to each one Evaluation Expression.

Detailed description: Order Change
 Kind of data record: SA3 Order Specific Addresses

Position	1	Field Format	an3	Field Status	M
Field Name	<u>Kind of Data Record</u>		Key field Out / IN		
Description	This field identifies the kind of data record in the message block. It contains the constant value 'SA3'.				
Processing outgoing EDI Sub-System					
ERP LN	This field will be filled with the constant value 'SA3'.				
Processing Incoming EDI Sub-System	This field will be filled with the constant value 'SA3'.				
ERP LN	None				

Position	2	Field Format	an..35	Field Status	M
Field Name	<u>Message Reference</u>		Key field Out / IN		
Description	This field identifies all connected data records of one order. The numbering, which has to be clear by order, helps to control the chronological order of the orders and the complete transmission.				
Processing outgoing EDI Sub-System					
ERP LN	Refer to data record SA2				
Processing Incoming EDI Sub-System					
ERP LN	Refer to data record SA2				

Position	3	Field Format	an..17	Field Status	M
Field Name	<u>Net ID of sender</u>		Key field Out / In		

Description This field contains the identification of the sender (for example, the ILN Number)

Processing outgoing

EDI Sub-System

Transmission of the value from the message file.

ERP LN

Refer to data record SA2

Processing Incoming

EDI Sub-System

ERP LN

Refer to data record SA2

Position	4	Field Format	an..9 / an..30	Field Status	M
Field Name	<u>Order Number</u>		Key field Out / In		

Description This field contains the origin Order Number.

Processing outgoing

EDI Sub-System

None

ERP LN

The purchase order number is mapped from ERP LN table field tdpur400.orno to this position.

Processing Incoming

EDI Sub-System

Transmission of the value from the message file.

ERP LN

Mapping to ERP LN table field tds400.com

Appearance referring to the Buy - from / Sold -To – Specific Address

Position	5	Field Format	an..14	Field Status	C
Field Name	<u>Address Qualifier (BP)</u>		Key field		

Description	<p>This field contains the Qualifier which identifies the next data set as an address referring to the specific role of the Business partner:.</p> <p>BFBP = The following data refers to the Buy - From – Address STBP = The following data refers to the Sold - To – Address This qualifier must be entered in ERP LN table ecedi224 regarding to the used organization.</p>
Processing outgoing EDI Sub-System	None
ERP LN	The field is filled in from ERP LN table field ecedi224.code depending on the Evaluation Expression = OTAD.
Processing Incoming EDI Sub-System	The value “STBP” is filled in this position.
ERP LN	Mapping to ERP LN table field tdsis400.stad and conversion with table ecedi224.

Appearances referring to the specific role’s addresses (Outgoing)

Position	5	Field Format	an..14	Field Status	C
Field Name	<u>Address Qualifier (BP)</u>		Key field		

Description	<p>This field contains the Qualifier which identifies the next data set as a ship from address.</p> <p>SFBP = The following data refers the Ship From Address; IFBP = Invoice From Address PTBP = Pay To Address</p> <p>This qualifier must be entered in ERP LN table ecedi224 regarding to the used organization.</p>
Processing outgoing EDI Sub-System	None
ERP LN	The field is filled in from ERP LN table field ecedi224.code depending on the Evaluation Expression = SFAD / IFAD / PTAD.
Processing Incoming EDI Sub-System	
ERP LN	

Appearance referring to the Receipt (Warehouse) Address

Position	5	Field Format	an..14	Field Status	C
Field Name	<u>Address Qualifier (WH)</u>		Key field		
Description	<p>This field contains the Qualifier which identifies the next data set as a ship from address.:</p> <p>CWAR = Following data is the BP's Warehouse Address</p> <p>This qualifier must be entered in ERP LN table ecedi224 regarding to the used organization.</p>				
Processing outgoing EDI Sub-System	None				
ERP LN	<p>The field is filled in from ERP LN table field ecedi224.code depending on the Evaluation Expression = HDRDEL.</p> <p>The default value is "CWAR"</p>				
Processing Incoming EDI Sub-System	The value "CWAR" is filled in this position				
ERP LN	Mapping to ERP LN table field tdsIs400.stad and conversion with table ecedi224				

All following fields refer to the evaluation expression of the data record's appearance analogously position 5.

Position	6	Field Format	an..3	Field Status	C
Field Name	<u>Country</u>				
Description	<p>This field contains the Country of the Address.</p> <p>The country codes have to be defined in ERP LN table ecedi226.</p>				
Processing outgoing EDI Sub-System	None				
ERP LN	<p>The country code of the address from ERP LN table field tccom130.cty is mapped to this position and converts with ERP LN table ecedi440.</p>				
Processing Incoming EDI Sub-System	Transmission of the value from the message file.				
ERP LN	Mapping to the ERP LN table field tccom130.cty and conversion with ERP LN table ecedi302.				

Position	7	Field Format	an..35	Field Status	C
Field Name	<u>Name</u>				

Description This field contains the first part of Name

Processing outgoing
EDI Sub-System None

ERP LN The First part of the Name from ERP LN table field tcom130.nama is mapped to this position.

Processing Incoming
EDI Sub-System Transmission of the value from the message file.

ERP LN Mapping to the ERP LN table field tcom130.nama

Position	8	Field Format	an..30	Field Status	C
Field Name	<u>Name 2</u>				

Description This field contains the second part of name

Processing outgoing
EDI Sub-System None

ERP LN The second part of the Name from ERP LN table field tcom130.namb is mapped to this position.

Processing Incoming
EDI Sub-System Transmission of the value from the message file.

ERP LN Mapping to the ERP LN table field tcom130.namb

Position	9	Field Format	an..14	Field Status	C
Field Name	<u>Address</u>				

Description This field contains the first part of the delivery address

Processing outgoing
EDI Sub-System None

ERP LN The First part of the Address from ERP LN table field tcom130.namc is mapped to this position.

Processing Incoming
EDI Sub-System Transmission of the value from the message file.

ERP LN Mapping to the ERP LN table field tcom130.namc

Position	10	Field Format	an..30	Field Status	C
Field Name	<u>Address 2</u>				

Description This field contains the second part of the delivery address

Processing outgoing
EDI Sub-System None

ERP LN The second part of the Address from ERP LN table field tcom130.namd is mapped to this position.

Processing Incoming
EDI Sub-System Transmission of the value from the message file.

ERP LN Mapping to the ERP LN table field tcom130.namd

Position	12	Field Format	an..30	Field Status	C
Field Name	<u>City 2</u>				

Description This field contains further information to the City

Processing outgoing
EDI Sub-System None

ERP LN The City information from ERP LN table field tcom130.namf is mapped to this position.

Processing Incoming
EDI Sub-System Transmission of the value from the message file.

ERP LN Mapping to the ERP LN table field tcom130.namf

Position	13	Field Format	an..10	Field Status	C
Field Name	<u>ZIP / Postal Code</u>				

Description This field contains the ZIP or postal code referring to the delivery address

Processing outgoing
EDI Sub-System None

ERP LN The ZIP Code from ERP LN table field tcom130.pstc is mapped to this position.

Processing Incoming
EDI Sub-System Transmission of the value from the message file.

ERP LN Mapping to the ERP LN table field tcom130.pstc

Position	14	Field Format	an..2	Field Status	C
Field Name	<u>State / Province</u>				

Description This field contains the State / province information referring to the delivery address

Processing outgoing
EDI Sub-System

None

ERP LN

The State / province from ERP LN table field tcom130.cstc is mapped to this position.

Processing Incoming
EDI Sub-System

Transmission of the value from the message file.

ERP LN

Mapping to the ERP LN table field tcom130.cstc

Position	15	Field Format	an..32	Field Status	C
Field Name	<u>Telephone</u>				

Description This field contains the telephone number

Processing outgoing
EDI Sub-System

None

ERP LN

The Telephone number from ERP LN table field tcom130.telp is mapped to this position.

Processing Incoming
EDI Sub-System

Transmission of the value from the message file.

ERP LN

Mapping to the ERP LN table field tcom130.telp

Position	16	Field Format	an..15	Field Status	C
Field Name	<u>Telex</u>				

Description This field contains the telex number

Processing outgoing
EDI Sub-System

None

ERP LN

The Telex number from ERP LN table field tcom130.telx is mapped to this position.

Processing Incoming
EDI Sub-System

Transmission of the value from the message file.

ERP LN

Mapping to the ERP LN table field tcom130.telx

Position	17	Field Format	an..32	Field Status	C
Field Name	<u>Fax</u>				

Description	This field contains the Fax number
Processing outgoing EDI Sub-System	None
ERP LN	The Fax number from ERP LN table field tcom130.tefx is mapped to this position.
Processing Incoming EDI Sub-System	Transmission of the value from the message file.
ERP LN	Mapping to the ERP LN table field tcom130.tefx

Position	18	Field Format	an..10	Field Status	C
Field Name	<u>GEO Code</u>				

Description	This field contains the GEO Code
Processing outgoing EDI Sub-System	None
ERP LN	The GEO Code from ERP LN table field tcom130.geoc is mapped to this position.
Processing Incoming EDI Sub-System	Transmission of the value from the message file.
ERP LN	Mapping to the ERP LN table field tcom130.geoc

Position	19	Field Format	an..10	Field Status	C
Field Name	<u>House Number</u>				
Description	This field contains the house number referring to the address				
Processing outgoing EDI Sub-System	None				
ERP LN	The house number from ERP LN table field tcom130.hono is mapped to this position.				
Processing Incoming EDI Sub-System	Transmission of the value from the message file.				
ERP LN	Mapping to the ERP LN table field tcom130.hono				

Position	20	Field Format	an..10	Field Status	C
Field Name	<u>P.O. Box Number</u>				
Description	This field contains the P.O. Box Number				
Processing outgoing EDI Sub-System	None				
ERP LN	The Box number from ERP LN table field tcom130.pobn is mapped to this position.				
Processing Incoming EDI Sub-System	Transmission of the value from the message file.				
ERP LN	Mapping to the ERP LN table field tcom130.pobn				

Position	22	Field Format	an..30	Field Status	C
Field Name	<u>City Description</u>				

Description This field contains the Description of the City

Processing outgoing
EDI Sub-System None

ERP LN The string from ERP LN table field tcom130.dsca is mapped to this position.

Processing Incoming
EDI Sub-System Transmission of the value from the message file.

ERP LN Mapping to the ERP LN table field tcom130.dsca

Position	23	Field Format	an..8	Field Status	C
Field Name	<u>City Code</u>				

Description This field contains the Code of the City

Processing outgoing
EDI Sub-System None

ERP LN The Code from ERP LN table field tcom130.ccit is mapped to this position.

Processing Incoming
EDI Sub-System Transmission of the value from the message file.

ERP LN Mapping to the ERP LN table field tcom130.ccit

Position	24	Field Format	an7	Field Status	M
Field Name	<u>Data Record end sign</u>				

Description This field identifies the end of data record in the message block. It contains the constant value 'SA3_END'.

Processing outgoing
EDI Sub-System

ERP LN This field will be filled with the constant value 'SA3_END'.

Processing Incoming
EDI Sub-System

This field will be filled with the constant value 'SA3_END'.

ERP LN None

SA4 Order Header Text – Text Data

Status: Conditional
 Frequency: Once by order
 Description: This data record contains the text information of the Order header and is related to SA2.

Order In-house Format					Mapping from Application Table Fields (out)		Mapping to Application Table Fields (in)	
Pos	Field Description	Key	ST	FM	Table field	Action	Table field	Action
1	Kind of data record	O/I	M	an3	SA4		SA4	
2	Message Reference	O/I	M	an..35	ecedi701.bano	Generation (see below)	ecedi702.bano	Generation by EDI Sub-System
3	Net ID of Sender	O/I	M	an..17	ecedi020.neta	Conversion (see below)	ecedi702.bpid	Conversion (see below)
4	(Customer) Order No.	O/I	M	an..9 an..30	tdpur400.orno		tdsls400.corn	
5	Header text 1		C	an..80	tdpur400.txta		tdsls400.txta	
6	Header text 2		C	an..80	tdpur400.txta		tdsls400.txta	
7	Data Record End Sign	O/I	M	an7	SA4_END		SA4_END	

Detailed description: Order Change
 Kind of data record: SA4 Order Header Text

Position	1	Field Format	an3	Field Status	M
Field Name	<u>Kind of Data Record</u>		Key field Out / IN		
Description	This field identifies the kind of data record in the message block. It contains the constant value 'SA4'.				
Processing outgoing EDI Sub-System					
ERP LN	This field will be filled with the constant value 'SA4'.				
Processing Incoming EDI Sub-System					
ERP LN	This field will be filled with the constant value 'SA4'.				
ERP LN	None				

Position	2	Field Format	an..35	Field Status	M
Field Name	<u>Message Reference</u>		Key field Out / IN		
Description	This field identifies all connected data records of one order. The numbering, which has to be clear by order, helps to control the chronological order of the orders and the complete transmission.				
Processing outgoing EDI Sub-System					
ERP LN	Refer to data record SA2				
Processing Incoming EDI Sub-System					
ERP LN	Refer to data record SA2				

Position	3	Field Format	an..17	Field Status	M
Field Name	<u>Net ID of sender</u>		Key field Out / In		

Description This field contains the identification of the sender (for example, the ILN Number)

Processing outgoing
EDI Sub-System

.

ERP LN Refer to data record SA2

Processing Incoming
EDI Sub-System

ERP LN Refer to data record SA2

Position	4	Field Format	an..9 / an..30	Field Status	M
Field Name	<u>Order Number</u>		Key field Out / In		

Description This field contains the origin Order Number.

Processing outgoing
EDI Sub-System

ERP LN Refer to data record SA2.

Processing Incoming
EDI Sub-System

.

ERP LN Refer to data record SA2

Position	5	Field Format	an..80	Field Status	C
Field Name	<u>Order Header Text 1</u>		Key field		
Description	This field contains a free text 1 with a maximum of 80 characters.				
Processing outgoing EDI Sub-System					
ERP LN	Mapping of ERP LN table field tdpur400.txta to position.				
Processing Incoming EDI Sub-System	Transmission of the value from the transmission file.				
ERP LN	Mapping to ERP LN table field tdsls400.txta				

Position	6	Field Format	an..80	Field Status	C
Field Name	<u>Order Header Text 2</u>		Key field		
Description	This field contains a free text 2 with a maximum of 80 characters.				
Processing outgoing EDI Sub-System					
ERP LN	Mapping of ERP LN table field tdpur400.txta to position.				
Processing Incoming EDI Sub-System	Transmission of the value from the transmission file.				
ERP LN	Mapping to ERP LN table field tdsls400.txta				

Position	7	Field Format	an7	Field Status	M
Field Name	<u>Data Record end sign</u>				
Description	This field identifies the end of data record in the message block. It contains the constant value 'SA4_END'.				
Processing outgoing EDI Sub-System					
ERP LN	This field will be filled with the constant value 'SA4_END'.				
Processing Incoming EDI Sub-System	This field will be filled with the constant value 'SA4_END'.				
ERP LN	None				

SA8 Order Footer Text – Text Data

Status: Conditional
 Frequency: Once by order
 Description: This data record contains the text information of the Order footer and is related to SA2.

Order In-house Format					Mapping from Application Table Fields (out)		Mapping to Application Table Fields (in)	
Pos	Field Description	Key	ST	FM	Table field	Action	Table field	Action
1	Kind of data record	O/I	M	an3	SA8		SA8	
2	Message Reference	O/I	M	an..35	ecedi701.bano	Generation (see below)	ecedi702.bano	Generation by EDI Sub-System
3	Net ID of Sender	O/I	M	an..17	ecedi020.neta	Conversion (see below)	ecedi702.bpid	Conversion (see below)
4	(Customer) Order No.	O/I	M	an..9 an..30	tdpur400.orno		tdsls400.corn	
5	Footer text 1		C	an..80	tdpur400.txtb		tdsls400.txtb	
6	Footer text 2		C	an..80			tdsls400.txtb	
7	Data Record End Sign	O/I	M	an7	SA8_END		SA8_END	

Detailed description: Order Change
 Kind of data record: SA8 Order Footer Text

Position	1	Field Format	an3	Field Status	M
Field Name	<u>Kind of Data Record</u>		Key field Out / IN		
Description	This field identifies the kind of data record in the message block. It contains the constant value 'SA8'.				
Processing outgoing EDI Sub-System					
ERP LN	This field will be filled with the constant value 'SA8'.				
Processing Incoming EDI Sub-System	This field will be filled with the constant value 'SA8'.				
ERP LN	None				

Position	2	Field Format	an..35	Field Status	M
Field Name	<u>Message Reference</u>		Key field Out / IN		
Description	This field identifies all connected data records of one order. The numbering, which has to be clear by order, helps to control the chronological order of the orders and the complete transmission.				
Processing outgoing EDI Sub-System					
ERP LN	Refer to data record SA2				
Processing Incoming EDI Sub-System					
ERP LN	Refer to data record SA2				

Position	3	Field Format	an..17	Field Status	M
Field Name	<u>Net ID of sender</u>		Key field Out / In		

Description This field contains the identification of the sender (for example, the ILN Number)

Processing outgoing
EDI Sub-System

.

ERP LN Refer to data record SA2

Processing Incoming
EDI Sub-System

ERP LN Refer to data record SA2

Position	4	Field Format	an..9 / an..30	Field Status	M
Field Name	<u>Order Number</u>		Key field Out / In		

Description This field contains the origin Order Number.

Processing outgoing
EDI Sub-System

ERP LN Refer to data record SA2.

Processing Incoming
EDI Sub-System

.

ERP LN Refer to data record SA2

Position	5	Field Format	an..80	Field Status	C
Field Name	<u>Order Footer Text 1</u>		Key field		
Description	This field contains a free text 1 with a maximum of 80 characters.				
Processing outgoing EDI Sub-System					
ERP LN	Mapping of ERP LN table field tdpur400.txtb to position.				
Processing Incoming EDI Sub-System	Transmission of the value from the transmission file.				
ERP LN	Mapping to ERP LN table field tdsls400.txtb				

Position	6	Field Format	an..80	Field Status	C
Field Name	<u>Order Footer Text 2</u>		Key field		
Description	This field contains a free text 2 with a maximum of 80 characters.				
Processing outgoing EDI Sub-System					
ERP LN	N. A.				
Processing Incoming EDI Sub-System	Transmission of the value from the transmission file.				
ERP LN	Mapping to ERP LN table field tdsls400.txtb				

Position	7	Field Format	an7	Field Status	M
Field Name	<u>Data Record end sign</u>				
Description	This field identifies the end of data record in the message block. It contains the constant value 'SA8_END'.				
Processing outgoing EDI Sub-System					
ERP LN	This field will be filled with the constant value 'SA8_END'.				
Processing Incoming EDI Sub-System	This field will be filled with the constant value 'SA8_END'.				
ERP LN	None				

SA5 Order Line

Status: Mandatory
 Frequency: Multiple by order number
 Description: This data records contain information about the ordered items and is related to SA2.

Order In-house Format					Mapping from Application Table Fields (out)		Mapping to Application Table Fields (in)	
Pos	Field Description	Key	ST	FM	Table field	Action	Table field	Action
1	Kind of data record	O/I	M	an3	SA5		SA5	
2	Message Reference	O/I	M	an..35	ecedi701.bano	Generation (see below)	ecedi702.bano	Generation by EDI Sub-System
3	Net ID of Sender	O/I	M	an..17	ecedi020.neta	Conversion (see below)	ecedi702.bpid	Conversion (see below)
4	(Customer) Order No.	O/I	M	an..9 an..30	tdpur401.orno		tdsls400.corn	
5	Order Position Number		M	n..5 an..16	tdpur401.pono		tdsls401.corp	
6	Customer Order Sequence		M	n..5 an..11	tdpur401.sqnb		tdsls401.cors	
7								
8	Change Type Lines		C	an..6	tdpur401.ctcd	Code and Conversion	tdsls401.ctcd	Conversion (see below)
9	Change Reason Lines		C	an..6	tdpur401.crcd	Code and Conversion	tdsls401.crcd	Conversion (see below)
10	Project		C	an..9	tdpur401.cprj		tdsls401.cprj	
11	Qualifier Item Code		M	an..6				

Order In-house Format			Mapping from Application Table Fields (out)	Mapping to Application Table Fields (in)
12	Buyer's Item Code or EAN Item Code	C an..47	tdpur401.item Conversion	tdsls401.item Conversion
13	Description of the Item	C an..30	tcibd001.dsca	
14	Ordered Quantity	C n..15	tdpur401.qoor	tdsls401.qoor
15	Order Date	C n..14	tdpur401.odat	tdsls401.odat
16	Planned Delivery Date	C n..14	tdpur401.ddtb / tdpur401.ldat Evaluation Expressions ⁴	tdsls401.ddta
17	Confirmed Receipt Date	C n..14	tdpur401.ddtb / tdpur401.ddtc Evaluation Expression ⁵	tdsls401.prdt
18	Purchase / Sales Unit	C an..3	tdpur401.cuqp Code and Conversion	tdsls401.cuqs Code and Conversion
19	Price	C n..19	tdpur401.pric	tdsls401.pric
20	Purchase / Sales Price Unit	C an..3	tdpur401.cupp Code and Conversion	tdsls401.cups Code and Conversion
21	Order Line Discount Percentage 1	C n..6	tdpur401.disc(1)	tdsls401.disc(1)
22	Order Line Discount Percentage 2	C n..6	tdpur401.disc(2)	tdsls401.disc(2)
23	Order Line Discount Percentage 3	C n..6	tdpur401.disc(3)	tdsls401.disc(3)
24	Order Line Discount Percentage 4	C n..6	tdpur401.disc(4)	tdsls401.disc(4)
25	Order Line Discount Percentage 5	C n..6	tdpur401.disc(5)	tdsls401.disc(5)

⁴ LDAT = tdpur401.ldat <> 0

⁵ CDL = tdpur401.ddtc <> 0

Order In-house Format			Mapping from Application Table Fields (out)		Mapping to Application Table Fields (in)	
26	Tax Code	C an..10	tdpur401.cvcat	Code- and Conversion	tdsls401.cvcat	Code and Conversion
27	Qualifier Tax Code	M an..3	"ZZ"		"ZZ"	
28	Discount Code 1	C an..20	tdpur401.cdis(1)	Code- and Conversion	tdsls401.cdis(1)	Code- and Conversion
29	Discount Code 2	C an..20	tdpur401.cdis(2)	Code- and Conversion	tdsls401.cdis(2)	Code- and Conversion
30	Discount Code 3	C an..20	tdpur401.cdis(3)	Code- and Conversion	tdsls401.cdis(3)	Code- and Conversion
31	Discount Code 4	C an..20	tdpur401.cdis(4)	Code- and Conversion	tdsls401.cdis(4)	Code- and Conversion
32	Discount Code 5	C an..20	tdpur401.cdis(5)	Code- and Conversion	tdsls401.cdis(5)	Code- and Conversion
33	Discount Method 1	C an..20	tdpur401.dmth(1)	Code and Conversion	tdsls401.dmth(1)	Code- and Conversion
34	Discount Method 2	C an..20	tdpur401.dmth(2)	Code and Conversion	tdsls401.dmth(2)	Code- and Conversion
35	Discount Method 3	C an..20	tdpur401.dmth(3)	Code and Conversion	tdsls401.dmth(3)	Code- and Conversion
36	Discount Method 4	C an..20	tdpur401.dmth(4)	Code and Conversion	tdsls401.dmth(4)	Code- and Conversion
37	Discount Method 5	C an..20	tdpur401.dmth(5)	Code and Conversion	tdsls401.dmth(5)	Code- and Conversion
38	Discount Amount 1	C n..15	tdpur401.ldam(1)		tdsls401.ldam(1)	
39	Discount Amount 2	C n..15	tdpur401.ldam(2)		tdsls401.ldam(2)	
40	Discount Amount 3	C n..15	tdpur401.ldam(3)		tdsls401.ldam(3)	
41	Discount Amount 4	C n..15	tdpur401.ldam(4)		tdsls401.ldam(4)	
42	Discount Amount 5	C n..15	tdpur401.ldam(5)		tdsls401.ldam(5)	
43	Lot Selection	C an..20	tdpur401.lsel	Code and Conversion	tdsls401.lsel	Code and Conversion
44	Lot	C an..20	tdpur401.clot		tdsls401.clot	Code and Conversion
45	Qualifier Lot	C an..6				

Order In-house Format			Mapping from Application Table Fields (out)	Mapping to Application Table Fields (in)
46	Business Partner's Lot	C an..30	whlct100.ltbp	
47	Qualifier Business Partner's Lot	M an..6		
48	Length of the Item	C n..8	tdpur401.leng	tdsls401.leng
49	Width of the item	C n..8	tdpur401.widt	tdsls401.widt
50	Height of the Item	C n..8	tdpur401.thic	tdsls401.thic
51				
52				
53				
54	Ship-from BP / Warehouse	M an..20	tdpur401.sfbp Conversion	tdsls401.cwar Conversion
55	Qualifier Address Code	M an..6	ecedi218.code / ZZ	ZZ
56	Address/BP Code	C an..6	ecedi224.code/ SFBP	
57	Warehouse / Ship-to BP	M an..20	tdpur401.cwar Conversion	tdsls401.stbp Conversion
58	Qualifier Address Code	M an..6	ecedi218.code / ZZ	ZZ
59	Address/BP Code	C an..6	CWAR	STBP
60	Forwarding Agent / Carrier	C an..20	tdpur401.cfrw Code and Conversion	tdsls401.cfrw Code and Conversion
61	Exempt Reason	C an..6	tdpur401.rcod Code and Conversion	tdsls401.rcod Code and Conversion
62	Exempt Certificate	C an..20	tdpur401.ceno	tdsls401.ceno
63	Reference Line Number	C n..10	ecedi705.refn	ecedi705.refn
64	Reference Sequence Number	C n..10	ecedi705.rsqn	ecedi705.rsqn
65	Terms of Delivery	C an..6	tdpur401.cdec Code and Conversion	tdsls401.cdec Code and Conversion
66	Description Terms	C an..30	tcmcs041.dsca	

Order In-house Format			Mapping from Application Table Fields (out)	Mapping to Application Table Fields (in)
	of Delivery			
67	Point of Title Passage	C an..12	tdpur401.ptpa Code and Conversion	tdsls401.ptpa Code and Conversion
68	Description Point of Title Passage	C an..50	tcmcs042.dsca	
69	Exempt	C	tdpur401.exmt	tdsls401.exmt
70	Tax Country	C an..6	tdpur401.ccty Code and Conversion	tdsls401.ccty Code and Conversion
71				
72	BP Tax Country	C an..6	tdpur401.bptc Code and Conversion	tdsls401.bptc Code and Conversion
73				
74				
75	Manufacturer	C an..6	tdpur401.cmf	
76	Preferred Manufacturer	C an..35	tdpur401.mpr	
77				
78				
79				
80	Data record end sign	M an..7	SA5_END	SA5_END

Detailed description: Order Change
 Kind of data record: SA5 Order Line

Position	1	Field Format	an3	Field Status	M
Field Name	<u>Kind of Data Record</u>		Key field Out / IN		
Description	This field identifies the kind of data record in the message block. It contains the constant value 'SA5'.				
Processing outgoing EDI Sub-System					
ERP LN	This field will be filled with the constant value 'SA5'.				
Processing Incoming EDI Sub-System	This field will be filled with the constant value 'SA5'.				
ERP LN	None				

Position	2	Field Format	an..35	Field Status	M
Field Name	<u>Message Reference</u>		Key field Out / IN		
Description	This field identifies all connected data records of one order. The numbering, which has to be clear by order, helps to control the chronological order of the orders and the complete transmission.				
Processing outgoing EDI Sub-System					
ERP LN	Refer to data record SA2				
Processing Incoming EDI Sub-System					
ERP LN	Refer to data record SA2				

Position	3	Field Format	an..17	Field Status	M
Field Name	<u>Net ID of sender</u>		Key field Out		

Description This field contains the identification of the sender (for example, the ILN Number)

Processing outgoing

EDI Sub-System Transmission of the value from the message file.

ERP LN

Refer to data record SA2

Processing Incoming

EDI Sub-System

ERP LN

Refer to data record SA2

Position	4	Field Format	an..9 / an..30	Field Status	M
Field Name	<u>Order Number</u>		Key field Out / In		

Description This field contains the origin Order Number.

Processing outgoing

EDI Sub-System None

ERP LN

The purchase order number is mapped from ERP LN table field tdpur400.orno to this position.

Processing Incoming

EDI Sub-System

Transmission of the value from the message file.

ERP LN

Mapping to ERP LN table field tdsls400.corn

Position	5	Field Format	n..5/an..16	Field Status	M
Field Name	<u>Order Position Number</u>				

Description This field contains the Order Position Number.

Processing outgoing

EDI Sub-System None

ERP LN

The purchase order line's number from ERP LN table field Ftdpur401.pono is mapped to this position.

Processing Incoming

EDI Sub-System

Transmission of the value from the message file.

ERP LN

Mapping to ERP LN table field tdsls401.corp

Position	6	Field Format	n..5	Field Status	M
Field Name	<u>Customer Order Sequence</u>				

Description This field contains the Customer Order Sequence.

Processing outgoing
 EDI Sub-System None

ERP LN The purchase order line's sequence number from ERP LN table field tdpur401.sqnb is mapped to this position.

Processing Incoming
 EDI Sub-System Transmission of the value from the message file.

ERP LN Mapping to ERP LN table field tdsls401.sqnb

Position	8	Field Format	an..6	Field Status	C
Field Name	<u>Change Type Lines</u>		Key field		

Description This field contains the Change Type Lines Code. A Conversion is possible.

Processing outgoing
 EDI Sub-System None

ERP LN The change type lines code is mapped from ERP LN table tdpur401.ctcd to this position after conversion with ERP LN table ecedi493.

Processing Incoming
 EDI Sub-System Transmission of the value from the message file.

ERP LN Mapping to the ERP LN table field tdsls401.ctcd after conversion with ERP LN table ecedi344.

Position	9	Field Format	an..6	Field Status	C
Field Name	<u>Change Reason Lines</u>		Key field		

Description This field contains the Change Reason Lines Code which is defined with the business partner. A Conversion is possible.

Processing outgoing
EDI Sub-System None

ERP LN The change reason lines code is mapped from ERP LN table tdpur401.crcd to this position after conversion with ERP LN table ecedi492.

Processing Incoming
EDI Sub-System Transmission of the value from the message file.

ERP LN Mapping to the ERP LN table field tdsIs401.crcd after conversion with ERP LN table ecedi343.

Position	10	Field Format	an..9	Field Status	C
Field Name	<u>Project</u>				

Description This field contains the Project Number

Processing outgoing
EDI Sub-System None

ERP LN The project from ERP LN table field tdpur401.cprj is mapped to this position.

Processing Incoming
EDI Sub-System Transmission of the value from the message file.

ERP LN Mapping to ERP LN table field tdsIs401.cprj

Position	11	Field Format	an..6	Field Status	C
Field Name	<u>Qualifier Item Code</u>				
Description	This field contains the qualifier for the item code.				
Processing outgoing EDI Sub-System	None				
ERP LN	This field will be filled with ecedi011.code, in general "SA".				
Processing Incoming EDI Sub-System	In general "SA".				
ERP LN	Used as qualifier for the conversion of the item code.				

Position	12	Field Format	an..47	Field Status	C
Field Name	<u>Buyer's Item Code</u>				
Description	This field contains the Buyer's item code.				
Processing outgoing EDI Sub-System					
ERP LN	The item code from ERP LN table field tdpu401.item is mapped to this position. If the buyer wants so send out the EAN Item Code a conversion is needed. The conversion setup has to be adapted to the demand under the use of the corresponding qualifier.				
Processing Incoming EDI Sub-System	Transmission of the value from the message file.				
ERP LN	Mapping to the ERP LN table field tdsis401.item after conversion of the given qualifier.				

Position	13	Field Format	an..30	Field Status	C
Field Name	<u>Description of the item</u>				

Description This field contains the description of the item.

Processing outgoing
EDI Sub-System

ERP LN The description of the item from ERP LN table field tcibd001.dsca is mapped to this position.

Processing Incoming
EDI Sub-System Transmission of the value from the message file.

ERP LN None

Position	14	Field Format	n..15	Field Status	C
Field Name	<u>Ordered Quantity</u>				

Description This field contains the quantity ordered on this order line.

Processing outgoing
EDI Sub-System

ERP LN The ordered quantity from ERP LN table field tdpu401.quor is mapped to this position.

Processing Incoming
EDI Sub-System Transmission of the value from the message file.

ERP LN Mapping to the ERP LN table field tdsis401.quor.

Position	15	Field Format	n..14	Field Status	C
Field Name	<u>Order Date</u>				

Description The order date of the order line is the date on which the order line was entered into the system.

Processing outgoing
EDI Sub-System

ERP LN The order date of the purchase order line from ERP LN table field tdpur401.odat is mapped to this position.

Processing Incoming
EDI Sub-System Transmission of the value from the message file.

ERP LN Mapping to the ERP LN table field tdsis401.odat.

Position	16	Field Format	n..14	Field Status	C
Field Name	<u>Planned Delivery Date / Time</u>				

Description The planned delivery date/time of the order line is the date/time on which the items on the order line must be delivered or picked up. On the outgoing side the field includes the planned receipt date tdpur401.ddtb or the planned load date tdpur401.ldat depending on the evaluation expression LDAT.

Processing outgoing
EDI Sub-System

ERP LN The planned receipt date of the purchase order line is mapped from ERP LN table field tdpur401.ddtb; in case of tdpur401.ldat <>0 the table field tdpur401.ldat is mapped to this position.

Processing Incoming
EDI Sub-System Transmission of the value from the message file.

ERP LN Mapping to the ERP LN table field tdsis401.ddta.

Position	17	Field Format	n..14	Field Status	C
Field Name	<u>Confirmed Receipt Date / Time</u>				

Description This field contains the confirmed receipt date/time.
On the outgoing side the field includes the planned receipt date tdpur401.ddtb or the confirmed receipt date tdpur401.ddtc depending on the evaluation expression ODL.

Processing outgoing
EDI Sub-System

ERP LN At first the planned receipt date of the purchase order line is mapped from ERP LN table field tdpur401.ddtb; and in case of tdpur401.ddtc <> 0 the table field tdpur401.ddtc is mapped to this position.

Processing Incoming
EDI Sub-System

Transmission of the value from the message file.

ERP LN

Mapping to the ERP LN table field tdsls401.prdt.

Position	18	Field Format	an..3	Field Status	C
Field Name	<u>Purchase / Sales Unit</u>				

Description This field contains the purchase/sales unit of the item.

Processing outgoing
EDI Sub-System

ERP LN The purchase unit from ERP LN table field tdpu401.cupq is mapped to this position and converted with ERP LN table ecedi442.

Processing Incoming
EDI Sub-System

Transmission of the value from the message file.

ERP LN

Mapping to the ERP LN table field tdsls401.cuqs and conversion with ERP LN table ecedi304 is possible.

Position	19	Field Format	n..15	Field Status	C
Field Name	<u>Price</u>				

Description This field contains the price of the item referring to the given price unit.

Processing outgoing
EDI Sub-System

ERP LN The price from ERP LN table field tdpu401.pric is mapped to this position.

Processing Incoming
EDI Sub-System Transmission of the value from the message file.

ERP LN Mapping to the ERP LN table field tdsis401.pric.

Position	20	Field Format	an..3	Field Status	C
Field Name	<u>Purchase/Sales Price Unit</u>				

Description This field contains the purchase/sales unit the price refers to.

Processing outgoing
EDI Sub-System

ERP LN The purchase price unit from ERP LN table field tdpu401.cupp is mapped to this position and converted with ERP LN table ecedi442.

Processing Incoming
EDI Sub-System Transmission of the value from the message file.

ERP LN Mapping to the ERP LN table field tdsis40.cups and conversion with ERP LN table ecedi304 is possible.

Positions	21..25	Field Format	n..6	Field Status	C
Field Name	<u>Order line Discount Percentage</u>				

Description These fields contain the percentages for the order line discounts referring to 5 levels.

Processing outgoing
EDI Sub-System

ERP LN The percentages of the order line discounts from ERP LN table fields tdp401.disc (1...5) are mapped to these positions.

Processing Incoming
EDI Sub-System Transmission of the value from the message file.

ERP LN Mapping to the ERP LN table fields tds401.disc (1..5).

Position	26	Field Format	an..10	Field Status	C
Field Name	<u>Tax Code</u>				

Description This field contains the tax code.

Processing outgoing
EDI Sub-System

ERP LN The tax code from ERP LN table field tdp401.cvat is mapped to this position and converted with ERP LN table ecedi446.

Processing Incoming
EDI Sub-System Transmission of the value from the message file.

ERP LN Mapping to the ERP LN table field tds401.cvat and conversion with ERP LN table ecedi308 is possible.

Position	27	Field Format	an..3	Field Status	C
Field Name	<u>Qualifier Tax Code</u>				

Description This field contains the qualifier for the tax code.

Processing outgoing
EDI Sub-System

None

ERP LN This field will be filled with "ZZ".

Processing Incoming
EDI Sub-System Transmission of the value from the message file.

ERP LN Used as qualifier for the conversion of the tax code; in general "ZZ" is used.

Positions	28..32	Field Format	an..20	Field Status	C
Field Name	<u>Discount Code</u>				

Description These fields contain the code of the discount's grant referring to 5 levels.

Processing outgoing
EDI Sub-System

ERP LN The codes for the discounts from ERP LN table fields tdpur401.cdis (1...5) are mapped to these positions and converted using ERP LN table ecedi474.

Processing Incoming
EDI Sub-System

Transmission of the value from the message file.

ERP LN Mapping to the ERP LN table fields tdsis401.cdis (1..5) and conversion using ERP LN table ecedi332.

Positions	33..37	Field Format	an..20	Field Status	C
Field Name	<u>Discount Method</u>				

Description These fields contain the discount methods.

Processing outgoing
EDI Sub-System

ERP LN The methods for the discounts from ERP LN table fields tdpu401.dmth (1...5) are mapped to these positions and converted using ERP LN table ecedi475.

Processing Incoming
EDI Sub-System

Transmission of the value from the message file.

ERP LN Mapping to the ERP LN table fields tdsis401.dmth (1..5) and conversion using ERP LN table ecedi333.

Positions	38..42	Field Format	n..15	Field Status	C
Field Name	<u>Discount Amount</u>				

Description
Processing outgoing
EDI Sub-System

These fields contain the amount of the order line discount.

ERP LN

The amounts of the discounts from ERP LN table fields tdp401.lam (1..5) are mapped to these positions.

Processing Incoming
EDI Sub-System

Transmission of the value from the message file.

ERP LN

Mapping to the ERP LN table fields tds401.lam(1..5)

Position	43	Field Format	an..20	Field Status	C
Field Name	<u>Lot Selection Code</u>				

Description
Processing outgoing
EDI Sub-System

This field contains the lot selection code.

ERP LN

The lot selection from ERP LN table field tdp401.lsel is mapped to this position and converted using ERP LN table ecedi476.

Processing Incoming
EDI Sub-System

Transmission of the value from the message file.

ERP LN

Mapping to the ERP LN table field tds401.lsel and conversion using ERP LN table ecedi334.

Position	44	Field Format	an..20	Field Status	C
Field Name	<u>Lot</u>				

Description This field contains the item's lot.

Processing outgoing
EDI Sub-System

ERP LN The lot from ERP LN table field tdpur401.clot is mapped to this position after conversion by ERP LN table ecedi477 using the qualifier of field 43.

Processing Incoming
EDI Sub-System Transmission of the value from the message file.

ERP LN Mapping to the ERP LN table field tdsis401.clot after conversion by ERP LN table ecedi335 using the qualifier of field 43.

Position	45	Field Format	an..6	Field Status	C
Field Name	<u>Qualifier Lot</u>				

Description This field contains the lot identification code related to the BP.
This qualifier defines if the code in message is the internal code or the BP code.

Processing outgoing
EDI Sub-System

ERP LN

Processing Incoming
EDI Sub-System Transmission of the value from the message file.

ERP LN

Position	46	Field Format	an..30	Field Status	C
Field Name	<u>Business Partner's Lot</u>				

Description This field contains the lot from the Business Partner.

Processing outgoing
EDI Sub-System

ERP LN

Processing Incoming
EDI Sub-System Transmission of the value from the message file.

ERP LN

Position	47	Field Format	an..6	Field Status	C
Field Name	<u>Qualifier Business Partner Lot</u>				

Description This field contains the qualifier for the Business Partner's lot.

Processing outgoing
EDI Sub-System

ERP LN

Processing Incoming
EDI Sub-System Transmission of the value from the message file.

ERP LN

Position	48	Field Format	an..20	Field Status	C
Field Name	<u>Length</u>				

Description This field contains the length of the item based on an agreed physical unit.

Processing outgoing
EDI Sub-System

ERP LN The length from ERP LN table field tdpu401.leng is mapped to this position.

Processing Incoming
EDI Sub-System Transmission of the value from the message file.

ERP LN Mapping to the ERP LN table field tdsis401.leng.

Position	49	Field Format	an..20	Field Status	C
Field Name	<u>Width</u>				
Description	This field contains the width of the item based on an agreed physical unit.				
Processing outgoing EDI Sub-System					
ERP LN	The width from ERP LN table field tdpu401.widt is mapped to this position.				
Processing Incoming EDI Sub-System	Transmission of the value from the message file.				
ERP LN	Mapping to the ERP LN table field tdsls401.widt.				

Position	50	Field Format	an..20	Field Status	C
Field Name	<u>Height</u>				
Description	This field contains the width of the item based on an agreed physical unit.				
Processing outgoing EDI Sub-System					
ERP LN	The height from ERP LN table field tdpu401.thic is mapped to this position.				
Processing Incoming EDI Sub-System	Transmission of the value from the message file.				
ERP LN	Mapping to the ERP LN table field tdsls401.thic.				

Position	54	Field Format	an..20	Field Status	C
Field Name	<u>Ship-from-BP / Warehouse</u>				
Description	This position contains the code for the Business Partner where from the goods are shipped.				
Processing outgoing EDI Sub-System	None				
ERP LN	The Code for the Ship From Business Partner from ERP LN table field tdpur401.sfbp is converted using the conversion table ecedi463 and the default Qualifier "ZZ", and it is mapped to this position.				
Processing Incoming EDI Sub-System	Transmission of the value from the message file.				
ERP LN	The Code for the Warehouse has to convert using the Address Code ID = "ZZ", and it has to map to the ERP LN table field tdsls401.cwar.				

Position	55	Field Format	an..6	Field Status	C
Field Name	<u>Qualifier Address Code</u>				

Description This position is used to store the default qualifier 1 for the Address code which is defined in the message definition.

Processing outgoing

EDI Sub-System None

ERP LN "ZZ"

Processing Incoming

EDI Sub-System

ERP LN "ZZ"

Position	56	Field Format	an...6	Field Status	C
Field Name	<u>Address / BP Code</u>				

Description This position contains the standard qualifier 2 for the Ship-from Business Partner or customer's warehouse.

Processing outgoing

EDI Sub-System None

ERP LN The ERP LN table field ecedi224.code referring to the Qualifier Address Code is mapped to this position.

Default value is the constant "SFBP".

Processing Incoming

EDI Sub-System

ERP LN

Position	57	Field Format	an..20	Field Status	C
Field Name	<u>Warehouse / Ship-to BP</u>		Key field		
Description	This position contains the code of the Receipt Warehouse of the message sender.				
Processing outgoing EDI Sub-System	None				
ERP LN	The Code for the Warehouse from ERP LN table field tdpur401.cwar is converted using the conversion table ecedi463 and the default Qualifier "ZZ", and it is mapped to this position.				
Processing Incoming EDI Sub-System	Transmission of the value from the message file.				
ERP LN	The Code for the Ship-to BP has to convert using the conversion table ecedi328 and Address Code ID given in ecedi224, and it has to map to the ERP LN table field tdsls401.STBP.				

Position	58	Field Format	an..6	Field Status	C
Field Name	<u>Qualifier Address Code</u>				
Description	This position is used to store the default qualifier 1 for the Address code which is defined in the message definition. It can be used to identify the ship-to warehouse and ship-to address.				
Processing outgoing EDI Sub-System	None				
ERP LN	"ZZ"				
Processing Incoming EDI Sub-System					
ERP LN	"ZZ"				

Position	59	Field Format	an..6	Field Status	C
Field Name	<u>Address/ BP Code</u>		Key field		

Description This position contains the standard qualifier 2 for the Warehouse

Processing outgoing
EDI Sub-System None

ERP LN The ERP LN table field ecedi224.code referring to the Qualifier Address Code is mapped to this position.
Default value is the constant "CWAR".

Processing Incoming
EDI Sub-System

ERP LN Use the code "STBP" to identify the Ship-to BP.

Position	60	Field Format	an..20	Field Status	C
Field Name	<u>Forwarding Agent</u>				

Description This field contains the code for the forwarding agent.

Processing outgoing
EDI Sub-System

ERP LN The code of the forwarding agent from ERP LN table field tdpu401.cfrw is mapped to this position and converted using ERP LN table ecedi456.

Processing Incoming
EDI Sub-System Transmission of the value from the message file.

ERP LN Mapping to the ERP LN table field tdsis401.cfrw and conversion using ERP LN table ecedi318.

Position	61	Field Format	an..6	Field Status	C
Field Name	<u>Exempt Reason</u>				

Description This field contains the exempt reason.

Processing outgoing
EDI Sub-System None

ERP LN The exempt reason is mapped from ERP LN table tdpur401.rcod to this position after conversion with ERP LN table ecedi353.

Processing Incoming
EDI Sub-System Transmission of the value from the message file.

ERP LN Mapping to the ERP LN table field tdsis401.rdoc after conversion with ERP LN table ecedi495.

Position	62	Field Format	an..20	Field Status	C
Field Name	<u>Exempt Certificate</u>				

Description This field contains the exempt certificate.

Processing outgoing
EDI Sub-System

ERP LN The exempt certificate from ERP LN table field tdpur401.ceno is mapped to this position.

Processing Incoming
EDI Sub-System Transmission of the value from the message file.

ERP LN Mapping to the ERP LN table field tdsis401.ceno.

Position	63	Field Format	n..10	Field Status	C
Field Name	<u>Reference Line Number</u>				

Description This field contains the reference line number.

Processing outgoing
EDI Sub-System

ERP LN The reference line number from ERP LN table field ecedi705.refn is mapped to this position.

Processing Incoming
EDI Sub-System Transmission of the value from the message file.

ERP LN Mapping to the ERP LN table field ecedi705.refn.

Position	64	Field Format	n..10	Field Status	C
Field Name	<u>Reference Sequence Number</u>				

Description	This field contains the reference sequence number.
Processing outgoing EDI Sub-System	
ERP LN	The reference sequence number from ERP LN table field ecedi705.rsqn is mapped to this position.
Processing Incoming EDI Sub-System	Transmission of the value from the message file.
ERP LN	Mapping to the ERP LN table field ecedi705.rsqn.

Position	65	Field Format	an..6	Field Status	C
Field Name	<u>Terms of Delivery</u>				

Description	This field contains a code for the Term of Delivery.
Processing outgoing EDI Sub-System	None
ERP LN	The terms of delivery code is mapped from ERP LN table tdpur401.cdec to this position after conversion with ERP LN table ecedi430.
Processing Incoming EDI Sub-System	Transmission of the value from the message file.
ERP LN	Mapping to the ERP LN table field tdsls401.cdec after conversion with ERP LN table ecedi300.

Position	66	Field Format	an..30	Field Status	C
Field Name	<u>Description (Term of Delivery)</u>				

Description	This field contains the description of the code for the Term of Delivery. It is used in the outgoing messages only.
Processing outgoing EDI Sub-System	None
ERP LN	The description is mapped from the ERP LN Table field tcpcs041.dsca.
Processing Incoming EDI Sub-System	
ERP LN	

Position	67	Field Format	an..12	Field Status	C
Field Name	<u>Point of Title Passage</u>				
Description	This field contains the point of title passage.				
Processing outgoing EDI Sub-System	None				
ERP LN	The point of title passage is mapped from ERP LN table tdpur401.ptpa to this position after conversion with ERP LN table ecedi431.				
Processing Incoming EDI Sub-System	Transmission of the value from the message file.				
ERP LN	Mapping to the ERP LN table field tdsis401.ptpa after conversion with ERP LN table ecedi301.				

Position	68	Field Format	an..50	Field Status	C
Field Name	<u>Description (Point of Title Passage)</u>				
Description	This field contains the description of the point of title passage. It is used in the outgoing messages only.				
Processing outgoing EDI Sub-System	None				
ERP LN	The description is mapped from the ERP LN Table field tcmcs042.dsca.				
Processing Incoming EDI Sub-System					
ERP LN					

Position	69	Field Format	n..10	Field Status	C
Field Name	<u>Exempt</u>				
Description	This field contains a qualifier if tax exemption applies or not.				
Processing outgoing EDI Sub-System					
ERP LN	The exempt qualifier from ERP LN table field tdpur401.exmt is mapped to this position.				
Processing Incoming EDI Sub-System	Transmission of the value from the message file.				
ERP LN	Mapping to the ERP LN table field tdsis401.exmt.				

Position	70	Field Format	an..6	Field Status	C
Field Name	<u>Tax Country</u>				

Description This field contains the country code which is linked to the tax code.

Processing outgoing
EDI Sub-System None

ERP LN The tax country code is mapped from ERP LN table tdpur401.ctcy to this position after conversion with ERP LN table ecedi440.

Processing Incoming
EDI Sub-System Transmission of the value from the message file.

ERP LN Mapping to the ERP LN table field tdsis401.ctcy after conversion with ERP LN table ecedi302.

Position	72	Field Format	an..6	Field Status	C
Field Name	<u>BP Tax Country</u>				

Description This field contains the tax country code of the Business Partner.

Processing outgoing
EDI Sub-System None

ERP LN The business partner tax country code is mapped from ERP LN table tdpur401.bptc to this position after conversion with ERP LN table ecedi440.

Processing Incoming
EDI Sub-System Transmission of the value from the message file.

ERP LN Mapping to the ERP LN table field tdsis401.bptc after conversion with ERP LN table ecedi302.

Position	75	Field Format	an..6	Field Status	C
Field Name	<u>Manufacturer)</u>				

Description A supplier of finished goods.

Processing outgoing
EDI Sub-System None

ERP LN The code for the manufacturer from the ERP LN Table field tdpur401.cmnf is mapped to this position.

Processing Incoming
EDI Sub-System

ERP LN

Position	76	Field Format	an..35	Field Status	C
Field Name	<u>Preferred Manufacturer Part Number</u>				

Description The preferred manufacturer part number for the item.

Processing outgoing
EDI Sub-System None

ERP LN The code for the preferred manufacturer part number from the ERP LN Table field tdpur401.mpnr is mapped to this position.

Processing Incoming
EDI Sub-System

ERP LN

Position	80	Field Format	an7	Field Status	M
Field Name	<u>Data Record end sign</u>				

Description This field identifies the end of data record in the message block. It contains the constant value 'SA5_END'.

Processing outgoing
EDI Sub-System

ERP LN This field will be filled with the constant value 'SA5_END'.

Processing Incoming
EDI Sub-System This field will be filled with the constant value 'SA5_END'.

ERP LN None

SA6 Order Line Text – Text Data

Status: Conditional
 Frequency: Once by order
 Description: This data record contains the text information of the Order line and is related to SA5.

Order In-house Format					Mapping from Application Table Fields (out)		Mapping to Application Table Fields (in)	
Pos	Field Description	Key	ST	FM	Table field	Action	Table field	Action
1	Kind of data record	O/I	M	an3	SA6		SA6	
2	Message Reference	O/I	M	an..35	ecedi701.bano	Generation (see below)	ecedi702.bano	Generation by EDI Sub-System
3	Net ID of Sender	O/I	M	an..17	ecedi020.neta	Conversion (see below)	ecedi702.bpid	Conversion (see below)
4	(Customer) Order No.	O/I	M	an..9 an..30	tdpur400.orno		tdsls400.corn	
5	Order Position Number	O/I	M	n..5 an..16	tdpur401.pono		tdsls401.corp	
6	Customer Order Sequence	O/I	M	n..5 an..11	tdpur401.sqnb		tdsls401.cors	
7	Free text 1		C	an..80	tdpur401.txta		tdsls401.txta	
8	Free text 2		C	an..80			tdsls401.txta	
9	Data Record End Sign	O/I	M	an7	SA6_END		SA6_END	

Detailed description: Order Change
 Kind of data record: SA6 Order Line Text

Position	1	Field Format	an3	Field Status	M
Field Name	<u>Kind of Data Record</u>		Key field Out / IN		
Description	This field identifies the kind of data record in the message block. It contains the constant value 'SA6'.				
Processing outgoing EDI Sub-System					
ERP LN	This field will be filled with the constant value 'SA6'.				
Processing Incoming EDI Sub-System	This field will be filled with the constant value 'SA6'.				
ERP LN	None				

Position	2	Field Format	an..35	Field Status	M
Field Name	<u>Message Reference</u>		Key field Out / IN		
Description	This field identifies all connected data records of one order. The numbering, which has to be clear by order, helps to control the chronological order of the orders and the complete transmission.				
Processing outgoing EDI Sub-System					
ERP LN	Refer to data record SA5				
Processing Incoming EDI Sub-System					
ERP LN	Refer to data record SA5				

The record fields SA6 / 3 until SA6 / 6 refer to the same fields of the data record SA5 (order line).

Position	7	Field Format	an..80	Field Status	C
Field Name	<u>Line Text 1</u>		Key field		
Description	This field contains a free text 1 with a maximum of 80 characters.				
Processing outgoing EDI Sub-System					
ERP LN	Mapping of ERP LN table field tdpur401.txta to position.				
Processing Incoming EDI Sub-System	Transmission of the value from the transmission file.				
ERP LN	Mapping to ERP LN table field tdsls401.txta				

Position	8	Field Format	an..80	Field Status	C
Field Name	<u>Line Text 2</u>		Key field		
Description	This field contains a free text 2 with a maximum of 80 characters.				
Processing outgoing EDI Sub-System					
ERP LN	.				
Processing Incoming EDI Sub-System	Transmission of the value from the transmission file.				
ERP LN	Mapping to ERP LN table field tdsls401.txta				

Position	9	Field Format	an7	Field Status	M
Field Name	<u>Data Record end sign</u>				
Description	This field identifies the end of data record in the message block. It contains the constant value 'SA6_END'.				
Processing outgoing EDI Sub-System					
ERP LN	This field will be filled with the constant value 'SA6_END'.				
Processing Incoming EDI Sub-System	This field will be filled with the constant value 'SA6_END'.				
ERP LN	None				

SA7 Order Line's Specific Delivery Address

Status: Conditional
 Frequency: Maximal twice by order line
 Description: This data record contains the delivery address referring to the Order line and is related to SA5.

Order In-house Format					Mapping from Application Table Fields (out)		Mapping to Application Table Fields (in)	
Pos	Field Description	Key	ST	FM	Table field	Action	Table field	Action
1	Kind of data record	O/I	M	an3	SA7		SA7	
2	Message Reference	O/I	M	an..35	ecedi701.bano	Generation (see below)	ecedi702.bano	Generation by EDI Sub-System
3	Net ID of Sender	O/I	M	an..17	ecedi020.neta	Conversion (see below)	ecedi702.bpid	Conversion (see below)
4	(Customer) Order No.	O/I	M	an..9 an..30	tdpur400.orno		tdsls400.corn	
5	Order Position Number	O/I	M	n..5 an..16	tdpur401.pono		tdsls401.corp	
6	Customer Order Sequence	O/I	M	n..5 an..11	tdpur401.sqnb		tdsls401.cors	
7	Address Qualifier		M	an..6	ecedi224.code	Conversion Evaluation Expression ⁶	ecedi224.code	Conversion

⁶ SFAD = tccom100.inrl = tcyesno.no or (strip(tdpur401.sfad) <> "" and tdpur401.sfad <> tccom121.cadr)

LNDEL = (tccom100.inrl = tcyesno.no and strip(tdpur401.cadr) <> "") or (tccom100.inrl = tcyesno.yes and strip(tdpur401.cadr) <> "" and tdpur401.cadr <> tcmcs003.cadr)

Order In-house Format		Mapping from Application Table Fields (out)		Mapping to Application Table Fields (in)			
8	Country	C	an..3	tccom130.ccty	Code and conversion Evaluation Expression	tccom130.ccty	Code and conversion
9	Name	C	an..35	tccom130.nama	Evaluation Expression	tccom130.nama	
10	Name 2	C	an..35	tccom130.namb	Evaluation Expression	tccom130.namb	
11	Address	C	an..30	tccom130.namc	Evaluation Expression	tccom130.namc	
12	Address 2	C	an..30	tccom130.namd	Evaluation Expression	tccom130.namd	
13							
14	City 2	C	an..30	tccom130.namf	Evaluation Expression	tccom130.namf	
15	ZIP / Postal Code	C	an..10	tccom130.pstc	Evaluation Expression	tccom130.pstc	
16	State / Province	C	an..2	tccom130.cste	Evaluation Expression	tccom130.cste	
17	Telephone	C	an..32	tccom130.telp	Evaluation Expression	tccom130.telp	
18	Telex	C	an..15	tccom130.telx	Evaluation Expression	tccom130.telx	
19	Fax	C	an..32	tccom130.tefx	Evaluation Expression	tccom130.tefx	
20	GEO Code	C	an..10	tccom130.geoc	Evaluation Expression	tccom130.geoc	
21	House number	C	an..10	tccom130.hono	Evaluation Expression	tccom130.hono	
22	P.O. Box Number	C	an..10	tccom130.pobn	Evaluation Expression	tccom130.pobn	
23							
24	City Description	C	an..30	tccom130.dsca	Evaluation Expression	tccom130.dsca	

Order In-house Format				Mapping from Application Table Fields (out)	Mapping to Application Table Fields (in)
25	City Code	C	an..8	tccom130.ccit Evaluation Expression	tccom130.ccit
26	Data Record End Sign	O/I	M an7	SA7_END	SA7_END

Detailed description: Order Change

Kind of data record: SA7 Order Line's Specific Delivery Address

Position	1	Field Format	an3	Field Status	M
Field Name	<u>Kind of Data Record</u>		Key field Out / IN		
Description	This field identifies the kind of data record in the message block. It contains the constant value 'SA7'.				
Processing outgoing EDI Sub-System					
ERP LN	This field will be filled with the constant value 'SA7'.				
Processing Incoming EDI Sub-System	This field will be filled with the constant value 'SA7'.				
ERP LN	None				

Position	2	Field Format	an..35	Field Status	M
Field Name	<u>Message Reference</u>		Key field Out / IN		
Description	This field identifies all connected data records of one order. The numbering, which has to be clear by order, helps to control the chronological order of the orders and the complete transmission.				
Processing outgoing EDI Sub-System					
ERP LN	Refer to data record SA5				
Processing Incoming EDI Sub-System					
ERP LN	Refer to data record SA5				

The record fields SA7 / 3 until SA7 / 6 refer to the same fields of the data record SA5 (order line).

Appearances referring to the line specific addresses

Position	7	Field Format	an..6	Field Status	C
Field Name	<u>Address Qualifier</u>				
Description	<p>This field contains the Qualifier which identifies the next data set as an address referring to the line specific Ship-From / Ship-To Address.</p> <p>SFBP = The following data is the Ship From Address STBP = The following data is the Ship to (delivery) address</p> <p>This qualifier must be entered in ERP LN table ecedi224 regarding to the used organization.</p>				
Processing outgoing EDI Sub-System	None				
ERP LN	<p>The field is filled in from ERP LN table field ecedi224.code depending on the evaluation expression LNSFAD / LNDEL;</p> <p>the default value is "SFBP" referring to LNSFAD..</p>				
Processing Incoming EDI Sub-System	The value "STBP" is filled in this position.				
ERP LN	Mapping to ERP LN table field tdsIs400.stad and conversion with table ecedi224.				

All following fields refer to the evaluation expression of the data record's appearance analogously position 7.

Position	8	Field Format	an..3	Field Status	C
Field Name	<u>Country</u>				
Description	<p>This field contains the Country of the Address.</p> <p>The country codes are defined in ERP LN table ecedi226.</p>				
Processing outgoing EDI Sub-System	None				
ERP LN	<p>The country code of the address from ERP LN table field tccom130.ccty is mapped to this position and converts with ERP LN table ecedi440.</p>				
Processing Incoming EDI Sub-System	Transmission of the value from the message file.				
ERP LN	Mapping to the ERP LN table field tccom130.ccty and conversion with ERP LN table ecedi302.				

Position	9	Field Format	an..35	Field Status	C
Field Name	<u>Name</u>				

Description This field contains the first part of Name

Processing outgoing
EDI Sub-System None

ERP LN The First part of the Name from ERP LN table field tcom130.nama is mapped to this position.

Processing Incoming
EDI Sub-System Transmission of the value from the message file.

ERP LN Mapping to the ERP LN table field tcom130.nama

Position	10	Field Format	an..30	Field Status	C
Field Name	<u>Name 2</u>				

Description This field contains the second part of name

Processing outgoing
EDI Sub-System None

ERP LN The second part of the Name from ERP LN table field tcom130.namb is mapped to this position.

Processing Incoming
EDI Sub-System Transmission of the value from the message file.

ERP LN Mapping to the ERP LN table field tcom130.namb

Position	11	Field Format	an..14	Field Status	C
Field Name	<u>Address</u>				

Description This field contains the first part of the delivery address

Processing outgoing
EDI Sub-System None

ERP LN The First part of the Address from ERP LN table field tcom130.namc is mapped to this position.

Processing Incoming
EDI Sub-System Transmission of the value from the message file.

ERP LN Mapping to the ERP LN table field tcom130.namc

Position	12	Field Format	an..30	Field Status	C
Field Name	<u>Address 2</u>				

Description This field contains the second part of the delivery address

Processing outgoing
EDI Sub-System None

ERP LN The second part of the Address from ERP LN table field tcom130.namd is mapped to this position.

Processing Incoming
EDI Sub-System Transmission of the value from the message file.

ERP LN Mapping to the ERP LN table field tcom130.namd

Position	14	Field Format	an..30	Field Status	C
Field Name	<u>City 2</u>				

Description This field contains further information to the City

Processing outgoing
EDI Sub-System None

ERP LN The City information from ERP LN table field tcom130.namf is mapped to this position.

Processing Incoming
EDI Sub-System Transmission of the value from the message file.

ERP LN Mapping to the ERP LN table field tcom130.namf

Position	15	Field Format	an..10	Field Status	C
Field Name	<u>ZIP / Postal Code</u>				

Description This field contains the ZIP or postal code referring to the delivery address

Processing outgoing
EDI Sub-System None

ERP LN The ZIP Code from ERP LN table field tcom130.pstc is mapped to this position.

Processing Incoming
EDI Sub-System Transmission of the value from the message file.

ERP LN Mapping to the ERP LN table field tcom130.pstc

Position	16	Field Format	an..2	Field Status	C
Field Name	<u>State / Province</u>				

Description This field contains the State / province information referring to the delivery address

Processing outgoing
EDI Sub-System

None

ERP LN

The State / province from ERP LN table field tcom130.cstc is mapped to this position.

Processing Incoming
EDI Sub-System

Transmission of the value from the message file.

ERP LN

Mapping to the ERP LN table field tcom130.cstc

Position	17	Field Format	an..32	Field Status	C
Field Name	<u>Telephone</u>				

Description This field contains the telephone number

Processing outgoing
EDI Sub-System

None

ERP LN

The Telephone number from ERP LN table field tcom130.telp is mapped to this position.

Processing Incoming
EDI Sub-System

Transmission of the value from the message file.

ERP LN

Mapping to the ERP LN table field tcom130.telp

Position	18	Field Format	an..15	Field Status	C
Field Name	<u>Telex</u>				

Description This field contains the telex number

Processing outgoing
EDI Sub-System None

ERP LN The Telex number from ERP LN table field tcom130.telx is mapped to this position.

Processing Incoming
EDI Sub-System Transmission of the value from the message file.

ERP LN Mapping to the ERP LN table field tcom130.telx

Position	19	Field Format	an..32	Field Status	C
Field Name	<u>Fax</u>				

Description This field contains the Fax number

Processing outgoing
EDI Sub-System None

ERP LN The Fax number from ERP LN table field tcom130.tefx is mapped to this position.

Processing Incoming
EDI Sub-System Transmission of the value from the message file.

ERP LN Mapping to the ERP LN table field tcom130.tefx

Position	20	Field Format	an..10	Field Status	C
Field Name	<u>GEO Code</u>				

Description This field contains the GEO Code

Processing outgoing
EDI Sub-System None

ERP LN The GEO Code from ERP LN table field tcom130.geoc is mapped to this position.

Processing Incoming
EDI Sub-System Transmission of the value from the message file.

ERP LN Mapping to the ERP LN table field tcom130.geoc

Position	21	Field Format	an..10	Field Status	C
Field Name	<u>House Number</u>				

Description This field contains the house number referring to the address

Processing outgoing
EDI Sub-System None

ERP LN The house number from ERP LN table field tccom130.hono is mapped to this position.

Processing Incoming
EDI Sub-System Transmission of the value from the message file.

ERP LN Mapping to the ERP LN table field tccom130.hono

Position	22	Field Format	an..10	Field Status	C
Field Name	<u>P.O. Box Number</u>				

Description This field contains the P.O. Box Number

Processing outgoing
EDI Sub-System None

ERP LN The Box number from ERP LN table field tccom130.pobn is mapped to this position.

Processing Incoming
EDI Sub-System Transmission of the value from the message file.

ERP LN Mapping to the ERP LN table field tccom130.pobn

Position	24	Field Format	an..30	Field Status	C
Field Name	<u>City Description</u>				

Description This field contains the Description of the City

Processing outgoing
EDI Sub-System None

ERP LN The string from ERP LN table field tccom130.dsca is mapped to this position.

Processing Incoming
EDI Sub-System Transmission of the value from the message file.

ERP LN Mapping to the ERP LN table field tccom130.dsca

Position	25	Field Format	an..8	Field Status	C
Field Name	<u>City Code</u>				

Description This field contains the Code of the City

Processing outgoing
EDI Sub-System None

ERP LN The Code from ERP LN table field tccom130.ccit is mapped to this position.

Processing Incoming
EDI Sub-System Transmission of the value from the message file.

ERP LN Mapping to the ERP LN table field tccom130.ccit

Position	26	Field Format	an7	Field Status	M
Field Name	<u>Data Record end sign</u>		Key field		

Description This field identifies the end of data record in the message block. It contains the constant value 'SA7_END'.

Processing outgoing
EDI Sub-System

ERP LN This field will be filled with the constant value 'SA7_END'.

Processing Incoming
EDI Sub-System This field will be filled with the constant value 'SA7_END'.

ERP LN None

SA9 Tax Exemption Certificate Text (only outgoing)

Status: Conditional
 Frequency: Once by order line
 Description: This data record contains the Tax Exemption Certificate Text referring to the Order Line; and it is related to SA5.

Order In-house Format					Mapping from Application Table Fields (out)		Mapping to Application Table Fields (in)	
Pos	Field Description	Key	ST	FM	Table field	Action	Table field	Action
1	Kind of data record	O/I	M	an3	SA9			
2	Message Reference	O/I	M	an..35	ecedi701.bano	Generation (see below)		
3	Net ID of Sender	O/I	M	an..17	ecedi020.neta	Conversion (see below)		
4	(Customer) Order No.	O/I	M	an..9 an..30	tdpur400.orno			
5	Order Position Number	O/I	M	n..5 an..16	tdpur401.pono			
6	Customer Order Sequence	O/I	M	n..5 an..11	tdpur401.sqnb			
7	Exemption Certificate Text		M	an..80	tcmcs160.ctxt or tcmcs036.txta	Evaluation expression ⁷ Country tax		
8								
9	Data Record End Sign	O/I	M	an7	SA12_END			

⁷ EXTAX = tcmcs160.ctxt <> 0
 CTTAX = tcmcs160.ctxt = 0

Detailed description: Order Change
 Kind of data record: SA9 Tax Exemption Certificate Text

Position	1	Field Format	an3	Field Status	M
Field Name	<u>Kind of Data Record</u>		Key field Out		
Description	This field identifies the kind of data record in the message block. It contains the constant value 'SA9'.				
Processing outgoing EDI Sub-System					
ERP LN	This field will be filled with the constant value 'SA9'.				
Processing Incoming EDI Sub-System					
ERP LN	N. A.				

Position	2	Field Format	an..35	Field Status	M
Field Name	<u>Message Reference</u>		Key field Out		
Description	This field identifies all connected data records of one order. The numbering, which has to be clear by order, helps to control the chronological order of the orders and the complete transmission.				
Processing outgoing EDI Sub-System					
ERP LN	Refer to data record SA5				
Processing Incoming EDI Sub-System					
ERP LN	N . A.				

The record fields SA12 / 3 until SA12 / 6 refer to the same fields of the data record SA5 (order line).

Position	7	Field Format	an..80	Field Status	C
Field Name	Tax Exemption Certificate Text				
Description	This field contains the tax Exemption Certificate Text or the Country Tax Text depending of the Evaluation for an existing certificate.				
Processing outgoing EDI Sub-System					
ERP LN	An evaluation expression has to be used: If the expression (tcmcs160.ctxt <>) 0 is true then the ERP LN table field tcmcs160.ctxt (Tax Exemption Certificate Text) is mapped to this position. If the expression (tcmcs160.ctxt = 0) is true then the ERP LN table field tcmcs036.txta (Tax Code By Country Text) is mapped to this position.				
Processing Incoming EDI Sub-System					
ERP LN	N. A				

Position	9	Field Format	an7	Field Status	M
Field Name	<u>Data Record end sign</u>		Key field		
Description	This field identifies the end of data record in the message block. It contains the constant value 'SA9_END'.				
Processing outgoing EDI Sub-System					
ERP LN	This field will be filled with the constant value 'SA9_END'.				
Processing Incoming EDI Sub-System					
ERP LN	N. A.				

Chapter 3 Definitions, Acronyms, and Abbreviations

3

Term	Description
ANSI X12	American National Standards Institute Accredited Standards Committee X12; Standard definitions of American EDI Directories
ASCII	American Standard Code for Information Interchange
BEM	Baan Electronic Message - abbreviated form of BEMIS used with the definition of the EDI organization
BEMIS	“BAAN Electronic Message Interchange System”; it is used for the ERP LN In-house EDI format
BP	Business Partner; used for Customer and Supplier
EDI	Electronic Data Interchange; electronic exchange of documents in standard formats
EDIFACT	Electronic Data Interchange for Administration, Commerce and Transport; Standard definitions of United Nations Directories
GLN	Global Location Number, a thirteen digit number used to identify legal entities, trading parties and locations.
ID	Identification
ILN	International Location Number, see GLN
VDA	The German Association of the Automotive Industry; Standard definitions of German EDI Directories

Appendix A Sample File



Example outgoing message:

SA1;HBP20080709000000000000000000000006;helene;HBP000097;helene;BEMIS;ORC001;;;2008
0709;0817;SA1_END

SA2;HBP20080709000000000000000000000006;helene;HBP000097;;;20080624;20080710;20080
710;;;C30;30 days;0;0;0;EUR;;;0;HBPPUR;ZZ;;HBP000001;ZZ;BFBP;HBP000001;ZZ;SFBP;
HBP000001;ZZ;0HBP;HBP000001;PTBP;;;0;2;;TEST VD;SA2_END

SA3;HBP20080709000000000000000000000006;helene;HBP000097;BFBP;NLD;Amsterdam
Keizersgracht 32;;Keijzersgracht;;;8275LN;NH;;;32;;;Amsterdam;AMSTERDA;SA3_END

SA3;HBP20080709000000000000000000000006;helene;HBP000097;SFBP;NLD;LIC Lousy
Insurance Company;;Lijsterstraat 23;;;6824 AS;GL;;;1523;;Arnhem;ARNHEM;SA3_END

SA3;HBP20080709000000000000000000000006;helene;HBP000097;0HBP;NLD;Amsterdam
Keizersgracht 32;;Keijzersgracht;;;8275LN;NH;;;32;;;Amsterdam;AMSTERDA;SA3_END

SA3;HBP20080709000000000000000000000006;helene;HBP000097;PTBP;NLD;Amsterdam
Keizersgracht 32;;Keijzersgracht;;;8275LN;NH;;;32;;;Amsterdam;AMSTERDA;SA3_END

SA4;HBP20080709000000000000000000000006;helene;HBP000097;;;SA4_END

SA5;HBP20080709000000000000000000000006;helene;HBP000097;1;1;;;BP;
HBPEI1;Purchase Item;2;20080624;20080710;20080710;pcs;20;pcs;
0;0;0;0;0;HIGH;ZZ;;;Bruto;Bruto;Bruto;Bruto;Bruto;0;0;0;0;0;Willekeurige;;;0;0;0;;;HBP000001;ZZ;
SFBP;HBPWH1;ZZ;0;0;0;0;0;TEST VD;2;NLD;;NLD;;;SA5_END

SA5;HBP20080709000000000000000000000006;helene;HBP000097;2;1;;;;;BP;
HBPEDI1;Purchase Item;1;20080624;20080710;20080710;pcs;20;pcs;
0;0;0;0;0;HIGH;ZZ;;;;;Bruto;Bruto;Bruto;Bruto;Bruto;0;0;0;0;0;Willekeurige;;;;;0;0;0;0;HBP000001;ZZ;
SFBP;HBPWH1;ZZ;0;;;;;0;0;TEST VD;2;NLD;;NLD;;;;;;SA5_END

SA5;HBP20080709000000000000000000000006;helene;HBP000097;3;1;;005;005;;BP;
HBPEDI1;Purchase Item;5;20080624;20080710;20080710;pcs;20;pcs;
0;0;0;0;0;HIGH;ZZ;;;;;Bruto;Bruto;Bruto;Bruto;Bruto;0;0;0;0;0;Willekeurige;;;;;0;0;0;0;HBP000001;ZZ;
SFBP;HBPWH1;ZZ;0;;;;;0;0;TEST VD;2;NLD;;NLD;;;;;;SA5_END

SA5;HBP20080709000000000000000000000006;helene;HBP000097;4;1;;;;;BP;
HBPEDI1;Purchase Item;1;20080624;20080710;20080710;pcs;20;pcs;
0;0;0;0;0;HIGH;ZZ;;;;;Bruto;Bruto;Bruto;Bruto;Bruto;0;0;0;0;0;Willekeurige;;;;;0;0;0;0;HBP000001;ZZ;
SFBP;HBPWH1;ZZ;0;;;;;0;0;TEST VD;2;NLD;;NLD;;;;;;SA5_END

SA5;HBP20080709000000000000000000000006;helene;HBP000097;5;1;;005;005;;BP;
HBPEDI1;Purchase Item;5;20080624;20080710;20080710;pcs;20;pcs;
0;0;0;0;0;HIGH;ZZ;;;;;Bruto;Bruto;Bruto;Bruto;Bruto;0;0;0;0;0;Willekeurige;;;;;0;0;0;0;HBP000001;ZZ;
SFBP;WHAMS1;ZZ;0;;;;;0;0;TEST VD;2;NLD;;NLD;;;;;;SA5_END

SA6;HBP20080709000000000000000000000006;helene;HBP000097;1;1;;;SA6_END

SA6;HBP20080709000000000000000000000006;helene;HBP000097;2;1;;;SA6_END

SA6;HBP20080709000000000000000000000006;helene;HBP000097;3;1;;;SA6_END

SA6;HBP20080709000000000000000000000006;helene;HBP000097;4;1;;;SA6_END

SA6;HBP20080709000000000000000000000006;helene;HBP000097;5;1;;;SA6_END

SA7;HBP20080709000000000000000000000006;helene;HBP000097;1;1;SFBP;NLD;
LIC Lousy Insurance Company;;Lijsterstraat 23;;;6824 AS;GL;;;;;1523;;Arnhem;ARNHEM;SA7_END

SA7;HBP20080709000000000000000000000006;helene;HBP000097;1;1;0;NL;ABN AMRO BANK;;
HBP street 1959;;;9854 KL;;;;;;VELP;VELP;SA7_END

SA7;HBP20080709000000000000000000000006;helene;HBP000097;2;1;SFBP;NLD;
LIC Lousy Insurance Company;;Lijsterstraat 23;;;6824 AS;GL;;;;;1523;;Arnhem;ARNHEM;SA7_END

SA7;HBP20080709000000000000000000000006;helene;HBP000097;2;1;0;NL;ABN AMRO BANK;;
HBP street 1959;;;9854 KL;;;;;;VELP;VELP;SA7_END

SA7;HBP20080709000000000000000000000006;helene;HBP000097;3;1;SFBP;NLD;
LIC Lousy Insurance Company;;Lijsterstraat 23;;;6824 AS;GL;;;;;1523;;Arnhem;ARNHEM;SA7_END

SA7;HBP20080709000000000000000000000006;helene;HBP000097;3;1;0;NL;ABN AMRO BANK;;
HBP street 1959;;;9854 KL;;;;;;VELP;VELP;SA7_END
