



# Definition of BEMIS ASN001 Import and Export File for Business Document Advanced Shipment Notification

---

**Copyright © 2014 Infor**

### **Important Notices**

The material contained in this publication (including any supplementary information) constitutes and contains confidential and proprietary information of Infor.

By gaining access to the attached, you acknowledge and agree that the material (including any modification, translation or adaptation of the material) and all copyright, trade secrets and all other right, title and interest therein, are the sole property of Infor and that you shall not gain right, title or interest in the material (including any modification, translation or adaptation of the material) by virtue of your review thereof other than the non-exclusive right to use the material solely in connection with and the furtherance of your license and use of software made available to your company from Infor pursuant to a separate agreement, the terms of which separate agreement shall govern your use of this material and all supplemental related materials ("Purpose").

In addition, by accessing the enclosed material, you acknowledge and agree that you are required to maintain such material in strict confidence and that your use of such material is limited to the Purpose described above. Although Infor has taken due care to ensure that the material included in this publication is accurate and complete, Infor cannot warrant that the information contained in this publication is complete, does not contain typographical or other errors, or will meet your specific requirements. As such, Infor does not assume and hereby disclaims all liability, consequential or otherwise, for any loss or damage to any person or entity which is caused by or relates to errors or omissions in this publication (including any supplementary information), whether such errors or omissions result from negligence, accident or any other cause.

Without limitation, U.S. export control laws and other applicable export and import laws govern your use of this material and you will neither export or re-export, directly or indirectly, this material nor any related materials or supplemental information in violation of such laws, or use such materials for any purpose prohibited by such laws.

### **Trademark Acknowledgements**

The word and design marks set forth herein are trademarks and/or registered trademarks of Infor and/or related affiliates and subsidiaries. All rights reserved. All other company, product, trade or service names referenced may be registered trademarks or trademarks of their respective owners.

### **Publication Information**

Release: Infor LN 10.4 Electronic Commerce

Publication date: October 30, 2014

Document code: U9458C

---

---

# Contents

- About this guide..... 5**
  - Intended audience ..... 5
  - References..... 6
  
- Chapter 1 General Principles..... 7**
  - Available types of data records ..... 7
  - Branching diagrams..... 8
  - Key fields outgoing ..... 10
  - Key fields incoming..... 11
  - Business partner relations..... 12
  - Network directories..... 12
  - ERP LN BEMIS messages – conventions ..... 13
  - What is new in comparison to BEMIS for BAAN V? ..... 15
  - What is new in comparison to BEMIS for Feature Pack 3 for Infor ERP LN 6.1? ..... 15
  
- Chapter 2 Data Record Description by Type of Data Record ..... 17**
  - SA1 Message Overhead ..... 17
  - SA2 Shipment Header..... 25
  - SA11 Shipment Header Addresses ..... 40
  - SA3 Shipment Header Text..... 50
  - SA4 Shipment Header Text EDI..... 55
  - SA5 Shipment Routing ..... 60
  - SA6 Clustered Shipment Lines ..... 66
  - SA7 Shipment Lines ..... 71
  - SA8 Shipment Line Serials..... 89
  - SA9 Packaging Structure (out) / Item Load Structure (in) ..... 94
  - SA10 Shipment Lines Text..... 99
  
- Chapter 3 Definitions, Acronyms, and Abbreviations ..... 103**
  
- Appendix A Sample File ..... 105**



---

# About this guide

## Objective

This document describes the content and the corresponding structure of the EDI message “Advanced Shipment Notification”, which is supported by Baan Electronic Message, the ERP LN in-house format.

The message’s content refers to the following origin message types and gives their attribution to the transferred ASCII file of the BEMIS format:

- EDIFACT      DESADV
- ANSI X12     856
- VDA            4913

The message structure is defined by referring to incoming directions and outgoing directions.

The document contains the following chapters:

Chapter 1, “General Principles”, provides a general introduction to the EDI in-house format for the Business Document type Advanced Shipment Notification.

Chapter 2, “Data Record Description by Kind of Data Record”, describes in detail the data records used for the EDI in-house format of EDI message Advanced Shipment Notification.

Chapter 3, “Definitions, Acronyms, and Abbreviations”, provides a glossary of terms used in Infor ERP LN and in this document, and also a list of abbreviations.

Appendix A, “Sample File”, provides a sample file for the outgoing message ASN001.

## Intended audience

This document is intended for the following categories of users:

- Users who want to understand what the processed information of the EDI messages in ERP LN are.
- Users who develop the translation from external EDI format to the in-house format.

## References

The following documents might be of importance:

No.	Document number	Title
1	U8912A US	<i>User's Guide for BEMIS</i>
2	U8998A US	<i>User's Guide for EDI Business Documents</i>

### Send us your comments

We continually review and improve our documentation. Any remarks/requests for information concerning this document or topic are appreciated. Please e-mail your comments to [documentation@infor.com](mailto:documentation@infor.com).

In your e-mail, refer to the document code and title. More specific information will enable us to process feedback efficiently.

## Available types of data records

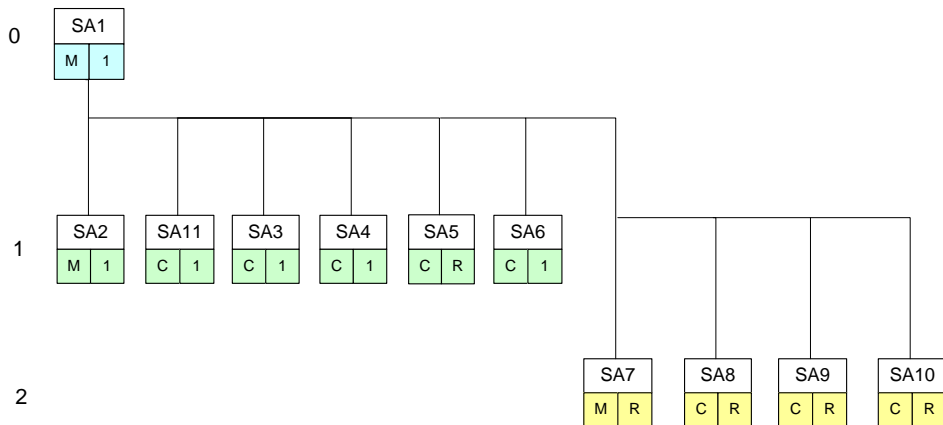
This section describes the EDI In-house format for the Business Document type Advanced Shipment Notice (incoming/outgoing). When you transmit information about ASNs, the use of the following types of data records is conditional (C) or respectively mandatory (M).

<b>ID</b>	<b>Status</b>	<b>Name</b>
SA1	M	Global Overhead
SA2	M	Shipment Header
SA3	C	Shipment Header Text
SA4	C	Shipment Header Text EDI
SA5	C	Shipment Routing
SA6	C	Clustered Shipment Lines
SA7	M	Shipment Lines
SA8	C	Shipment Line Serials
SA9	C	Packaging Structure / Item Load Structure
SA10	C	Shipment Lines Text
SA11	C	Shipment Header Address

## Branching diagrams

The following data record structure is used for the BEMIS message type Advanced Shipment Notice:

Level



Legend:

Status:	Frequency:
M: mandatory in message	1: once by message
C: conditional in message	R: repeatable by message

For example, for two shipments with each two lines the BEMIS file has the following structure:

SA1 ... Global Overhead

SA2 ... Shipment Header1

SA11 ... Shipment Header 1 Addresses

SA3 ... Shipment Header 1 Text

SA4 ... Shipment header 1 EDI Text

SA5 ... Shipment Header Routing 1

SA6.... Shipment clustered Lines 1

SA7 ... Shipment Line 11

SA9 ... Shipment Line 11 Packaging Structure



SA10 ... Shipment Line 11 Text

SA7 ... Shipment Line 12

SA9 ... Shipment Line 12 Packaging Structure

SA10 ... Shipment Line 12 Text

...

SA1 ... Global Overhead

SA2 ... Shipment Header 2

SA11 ... Shipment Header 2 Addresses

SA3 ... Shipment Header 2 Text

SA5 ... Shipment Header Routing 2

SA6.... Shipment clustered Lines 2

SA7 ... Shipment Line 21

SA8 ... Shipment Line 21 Serials

SA9 ... Shipment Line 21 Packaging Structure

SA10 ... Shipment Line 21 Text

SA7 ... Shipment Line 22

SA8 Shipment Line 22 Serials

SA9 ... Shipment Line 22 Packaging Structure

## Key fields outgoing

The outgoing message refers to the Ship-to-BP and the sent Shipments.

The following structure of the key fields is used to determine the corresponding data records of an ASN message:

Sorted by Key						
Kind	Data Rec.	key 1	key 2	key 3	key 4	
field 1	Backpt					
	SA1		Message ref.	BP net ID		
	SA2	1	Message ref.	BP net ID		
	SA11	2	Message ref.	BP net ID		
	SA3	2	Message ref.	BP net ID	Shipment	
	SA4	2	Message ref.	BP net ID	Shipment	
	SA5	2	Message ref.	BP net ID	Shipment	
	SA6	2	Message ref.	BP net ID	Shipment	
	SA7	2	Message ref.	BP net ID	Shipment	
	SA8	7	Message ref.	BP net ID	Shipment	Shipment Line
	SA9	7	Message ref.	BP net ID	Shipment	Shipment Line
	SA10	7	Message ref.	BP net ID	Shipment	Shipment Line

## Key fields incoming

The incoming message refers to the Ship-from-BP and the advanced Shipments. The following structure of the key fields is used to determine the corresponding data records of an ASN message:

Sorted by Key					
Kind	Data Rec.	key 1	key 2	key 3	key 4
field 1	Backpt				
	SA1		Message ref.	BP net ID	
	SA2	1	Message ref.	BP net ID	
	SA11	2	Message ref.	BP net ID	
	SA3	2	Message ref.	BP net ID	Shipment
	SA4	2	Message ref.	BP net ID	Shipment
	SA5	2	Message ref.	BP net ID	Shipment
	SA6	2	Message ref.	BP net ID	Shipment
	SA7	2	Message ref.	BP net ID	Shipment
	SA8	7	Message ref.	BP net ID	Shipment Shipment Line
	SA9	7	Message ref.	BP net ID	Shipment Shipment Line
	SA10	7	Message ref.	BP net ID	Shipment Shipment Line

## Business partner relations

The following table shows the business partner relations:

Outgoing ASN		Incoming ASN	
ID of the sender	ecedi020.neta	Ship-From BP-Code	whinh300.sfbp
Ship-to BP Code	whinh430.stco	Warehouse Code	whinh300.cwar
Warehouse Code	whinh430.sfco	Ship-From BP-Code	whinh300.sfbp
Ship-to Address Code	whinh430.stad	Ship-to Address Code	whinh300.dadd

## Network directories

In the Direct Network Communication (ecedi7205m000) session, the user can receive and generate EDI messages.

As written in the User's Guide EDI Business Document [2], the communication is done between the EDI Sub-System and ERP LN to transfer the message's ASCII files across the specific network. This communication is based on the network directories that are established in ERP LN.

The network basis directories for each network will be defined in the ecedi0120m000 session.

The ERP LN user can decide the structure of the used network directories, such as the following:

- For every message type, one network directory can be used for outgoing messages and one can be used for incoming messages. This means that one message file contains data for several business partners.
- For a group of message types, such as shipments, one network directory can be used for outgoing messages and one can be used for incoming messages.
- Every business partner can use their own network directory, and the files would be able to contain data for several messages types.

Infor recommends the first possibility.

For the network BEMIS, for example, the basis directories can be indicated in the following way:

```
/${BSE}/edi/bemis/shipment/
```

ERP LN will additionally create the following subdirectories:

- `/${BSE}/edi/bemis/shipment/appl_from/`
- `/${BSE}/edi/bemis/shipment/appl_to/`
- `/${BSE}/edi/bemis/shipment/command/`
- `/${BSE}/edi/bemis/shipment/store_recv/`

- `/${BSE}/edi/bemis/shipment/store_sent/`
- `/${BSE}/edi/bemis/shipment/trace/`

The above mentioned directories refer to one message type, “advanced shipment notification”. The directories have the following functions:

- **.../appl\_from/:** In this directory, ERP LN records the outgoing messages that are the defined BEMIS in-house format files. The EDI Subsystem can collect them from here.
- **.../appl\_to/:** The EDI Subsystem writes the incoming message into this directory in the ERP LN in-house format.
- **.../command/:** A directory of the semaphores.
- **.../store\_recv/:** ERP LN stores processed incoming messages in this directory, if the corresponding EDI parameter is set in this way. During this process, an additional subdirectory by incoming message file is created; the subdirectory is named with a date and time stamp that indicates when the message was moved.
- **.../store\_sent/:** ERP LN stores processed outgoing messages in this directory, if the corresponding EDI parameter is set in this way. During this process, an additional subdirectory by incoming message file is created; the subdirectory is named with a date and time stamp that indicates when the message was moved.
- **.../trace/:** ERP LN creates a log of the incoming messages and outgoing messages in the processing order in this directory, if the corresponding EDI parameter is set in this way.

The file name of the BEMIS in-house format files of the ASN, which is being described in this documentation, is defined in the following way:

Direction	File Name	Network Directory
outgoing	ASN001	<code>/\${BSE}/edi/bemis/shipment/appl_from</code>
incoming	ASN001	<code>/\${BSE}/edi/bemis/shipment/appl_to</code>

## ERP LN BEMIS messages – conventions

Written in the User’s Guide for BEMIS [1], we use the following rules to structure the EDI message:

- Each data segment is defined by a unique code in an EDI message. The format of the data segment code is SA99. Each segment (message record) starts with the unique code “Sax”; the message record ends with “Sax\_END”.
- The length of the several data segments can vary.
- Even if some fields do not contain a value, each data segment (message record) must consist of all fields.
- The fields in the file must be separated by a defined sign, such as a semicolon (;)

- A filled string field must be put inside quotation marks (“...”).
- If a position in a BEMIS Message File is not taken by a value, which means that the position is empty, then the position is pointed out using two semicolons. Also, the ERP LN EDI Module distinguishes between numerical data and alphanumerical data format, as shown in the following examples:

Empty numerical Position:       “SAx”; ... ; ; ... ;”SAx\_END”

Empty alphanumerical Position: Infor differs between the following, in case the field exists in the LN database:

“SAx”; ... ; ; ... ;”SAx\_END”   and   “SAx”; ... ; “”; ... ;”SAx\_END”

In the following sections are the format descriptions of the individual types of data segments (message records) of the interface file. The table contains the following data:

ASN IN-HOUSE FORMAT				
Pos	Field description	Key	ST	FM

The first block of the table describes the format of a type of data record:

Pos	Position of the field in the data record
Field description	Description of the field
Key	Key field outgoing (O) / incoming (I)
ST	Field status mandatory (M) / conditional (C)
FM	Field format, for example. an..14 = alphanumerical field with a maximum of 14 characters an14 = alphanumerical field with exactly 14 characters n..10 = numerical field with a maximum of 10 characters n1 = numerical field with exactly 1 character

The second block of the table describes the corresponding table field in ERP LN and describes possible special actions, which will be carried out when the messages are being processed.

from Application Table Field (out) / Mapping to Table Field (in)	
Table Field	Action

Following the table overview, every field is described in a more detailed way, including information about the processing in the EDI Sub-System and in ERP LN.

Consider one exception: if a position of the data record is not currently used, then Infor omits the detailed description of this empty position

## What is new in comparison to BEMIS for BAAN V?

- The new message exchanges the previous Dispatch Advice (DIS001); the structure is enhanced: the message includes 11 data records instead of 7 before
  - a clustering of shipment lines is considered;
  - also the shipment line uses an separate text data record ;
  - the shipment lines serials could be considered;
  - Packaging data are considered per shipment line.
- The item identification is done referring to the Alternative Item Code System by the only qualifier in ecedi232.code – default value is “SA”.

## What is new in comparison to BEMIS for Feature Pack 3 for Infor ERP LN 6.1?

The new version is based on the version for Feature Pack 3 for Infor ERP LN 6.1 and can only be used up from Feature Pack 6 for ERP LN 6.1.

Changes SA2 – Shipment Header

Field Number	Outgoing	Incoming
6 – new	whinh430.pddt	NA
7 – new	whinh430.prdt	NA
17 - new	whinh430.cdat old position was 6	NA

Changes SA7 – Shipment Lines

<b>Field Number</b>	<b>Outgoing</b>	<b>Incoming</b>
17 – changed	tdsls320.cchn steered by evaluation expression ORGPLW	NA
27 – changed	whinh431.effn processing sequence changed	
40 – new	whinh431.dlpt	NA
41 – new	tccom134.dsca	NA
42 – new	tccom134.dscb	NA
43 – new	whinh431.refS	NA
45 – new	SA7_END old position was 40	



## Chapter 2 Data Record Description by Type of Data Record

# 2

### SA1 Message Overhead

Status:	Mandatory
Frequency:	Once by Advanced Shipment Notification (ASN)
Description:	This data record contains information about the transmitter, the message type and the time of the transmission. The message reference identifies all related data records of this message.

Pos	ASN In-house Format				Mapping from Application Table Fields (out)		Mapping to Application Table Fields (in)	
	Field Description	Key	ST	FM	Table field	Action	Table field	Action
1	Kind of data record	O/I	M	an3	SA1		SA1	
2	Message Reference	O/I	M	an..35	ecedi701.bano	Generation (see below)	ecedi702.bano	Generation by EDI Sub-System
3	Net ID of Sender	O/I	M	an..17	ecedi020.neta	Conversion (see below)	ecedi702.bpid	Conversion (see below)
4	Net ID of Receiver		M	an..17	ecedi028.neta	Conversion (see below)	empty	
5	Message		M	an..6	ecedi001.code	Conversion (see below)	ecedi702.mess	Conversion (see below)
6	Organization		M	an..6	ecedi003.code	Conversion (see below)	ecedi702.orga	Conversion (see below)

Data Record Description by Type of Data Record

ASN In-house Format			Mapping from Application Table Fields (out)	Mapping to Application Table Fields (in)
7	Order Type	M an..35	ecedi011.koor Conversion (see below)	ecedi702.koor Conversion (see below)
8	Transmission reference	M an..20	ecedi700.orno	ecedi702.msno
9	Date / Time of transmission	M n..14	current date / time	ecedi702.send
10	Transmission Reference old	C an..20	empty (...;;...)	ecedi702.prno
11				
12	Identifier of Test	C an1	ecedi003.test	ecedi702.test
13				
14	Data record end sign	M an7	SA1_END	SA1_END

Detailed description: ASN  
 Kind of data record: SA1 Overhead

Position	1	Field Format	an3	Field Status	M
Field Name	<u>Kind of Data Record</u>		Key field Out / IN		
Description	This field identifies the kind of data record in the message block. It contains the constant value 'SA1'.				
Processing outgoing EDI Sub-System					
ERP LN	This field will be filled with the constant value 'SA1'.				
Processing Incoming EDI Sub-System	This field will be filled with the constant value 'SA1'.				
ERP LN	None				

Position	2	Field Format	an..14	Field Status	M
Field Name	<u>Message Reference</u>		Key field Out / IN		
Description	<p>This field identifies all connected data records of one ASN. The numbering, which has to be clear by ASN, helps to control the chronological order of the ASNs and the complete transmission. The field consists of a fix item with four characters, the current date (format: YYMMDD) and a serial number with four characters.</p> <p>The special format will be defined in the network parameters in the ERP LN table ecedi020. When generating the message reference with the EDI Sub-System, the created message reference needs to be specific, which means unique. While storing the message reference ERP LN controls whether it is specific.</p>				
Processing outgoing EDI Sub-System					
ERP LN	ERP LN generates this number to identify an ASN, stores it in the ERP LN table field ecedi701.bano and writes it into all data records of an order.				
Processing Incoming EDI Sub-System	The EDI Sub-System generates this number to identify an order and writes it into all data records of an ASN.				
ERP LN	Mapping to ERP LN table field ecedi702.bano.				

Position	3	Field Format	an..17	Field Status	M
Field Name	<u>Net ID of sender</u>		Key field Out / In		
Description	This field contains the identification of the sender (for example the ILN Number)				
Processing outgoing EDI Sub-System	Transmission of the value from the message file.				
ERP LN	The identification is stored in the ERP LN table ecedi020 'Our Identification' under the corresponding network in the ERP LN table field ecedi020.neta. The content of this field is mapped to the position of the transmission file. Here you can store the general ILN-Number for your customer.				
Processing Incoming EDI Sub-System					
ERP LN	The identification of the sender determines the corresponding business partner (customer) and the network in the table ecedi028 'Relations by network'. This identification is mapped to the ERP LN table field ecedi702.bpid.				

Position	4	Field Format	an..17	Field Status	M
Field Name	<u>Net ID of Receiver</u>				
Description	This field contains the identification of receiver.				
Processing outgoing EDI Sub-System					
ERP LN	The identification of the receiver (for example the ILN of the receiver) in the used network is entered in the table ecedi028. The ELP LN table field ecedi028.neta is mapped to this position.				
Processing Incoming EDI Sub-System	Transmission of the value from the message file.				
ERP LN	On the incoming side this field will be ignored.				

Position	5	Field Format	an..6	Field Status	M
<b>Field Name</b>	<b><u>Message</u></b>				
Description	This field contains the code for the identification of the concerned message. The code for the message type 'Advanced Shipment Notification' is ASN001.				
Processing outgoing EDI Sub-System	.				
ERP LN	The internal message code ecedi001.code 'ASN001' of the ERP LN table ecedi001 'Supported EDI messages' is mapped to this position.				
Processing Incoming EDI Sub-System	This field will be filled with the constant value 'ASN001'.				
ERP LN	The message code in the table ecedi001 'Supported EDI Messages' determines which internal message in ERP LN is connected to this ASN. In the ERP LN table ecedi005 'EDI Messages' is determined for every message which session (DLL) is used in ERP LN to process the ASN. The message code is mapped to the ERP LN table field ecedi702.mess.				

Position	6	Field Format	an..6	Field Status	M
<b>Field Name</b>	<b><u>Organization</u></b>				
Description	This field contains the organization (Standard), which is used for the EDI communication.				
Processing outgoing EDI Sub-System					
ERP LN	The internal organization code ecedi003.code 'BEMIS' from the ERP LN table ecedi003 'Organizations' is mapped to this position.				
Processing Incoming EDI Sub-System	This field will be filled with the constant value 'BEMIS'.				
ERP LN	Mapping to ERP LN table field ecedi702.orga. The corresponding Organization must have been entered into the ERP LN table ecedi003.None				

Data Record Description by Type of Data Record

Position	7	Field Format	an..35	Field Status	M
<b>Field Name</b>	<b><u>Order Type</u></b>				
Description	This field contains a code for the concerned order type.				
Processing outgoing EDI Sub-System					
ERP LN	In the ERP LN table ecedi011 there must be an entry for this order type in connection with the respective message and organization. The ERP LN table field ecedi011.koor is mapped to this position. Currently the constant empty (;"") is used.				
Processing Incoming EDI Sub-System					
ERP LN	Mapping to ERP LN table field ecedi702.koor. In the ERP LN table ecedi200 there must be an entry for this order type in connection with the respective message and organization.				

Position	8	Field Format	an..20	Field Status	M
<b>Field Name</b>	<b><u>Transmission Reference</u></b>				
Description	This field contains the reference code which the EDI Sub-System applied to this transmission.				
Processing outgoing EDI Sub-System					
ERP LN	The position will be filled with the purchase order number from ERP LN table field ecedi700.orno				
Processing Incoming EDI Sub-System	Transmission of the value from the transmission file.				
ERP LN	Mapping to ERP LN table field ecedi702.msno. This field should contain the customer purchase order number.				

Position	9	Field Format	n..14	Field Status	M
<b>Field Name</b>	<b><u>Date / Time of Transmission</u></b>				
Description	This field contains on the outgoing side the current date / time, on which the ASN message was created. On the incoming side, this field contains the arrival date / time of the order at the EDI Sub-System (format: YYYYMMDDHHMMSS).				
Processing outgoing EDI Sub-System					

Position	9	Field Format	n..14	Field Status	M
<b>Field Name</b>	<b><u>Date / Time of Transmission</u></b>				
ERP LN	Mapping of the current date / time to the position.				
Processing Incoming EDI Sub-System	Entry of the arrival date / time of the message at the EDI Sub-System.				
ERP LN	Mapping to ERP LN table field ecedi702.send				

Position	10	Field Format	an..20	Field Status	C
<b>Field Name</b>	<b><u>Transmission Reference Old</u></b>				
Description	This field contains the reference number, which the EDI Sub-System applied to the previous transmission.				
Processing outgoing EDI Sub-System					
ERP LN	Not used				
Processing Incoming EDI Sub-System	Transmission of the value from the transmission file.				
ERP LN	Mapping to ERP LN table field ecedi702.prho.				

Position	12	Field Format	an1	Field Status	C
<b>Field Name</b>	<b><u>Identifier of Test</u></b>				
Description	This field contains the code that will identify incoming messages for this organization as test messages. A test message is checked, but not copied to the database.				
Processing outgoing EDI Sub-System					
ERP LN	The position will be filled with the ERP LN table field ecedi003.test				
Processing Incoming EDI Sub-System	Transmission of the value from the transmission file.				
ERP LN	Mapping to ERP LN table field ecedi702.test.				

Data Record Description by Type of Data Record

Position	14	Field Format	an7	Field Status	M
<b>Field Name</b>	<b><u>Data Record end sign</u></b>				
Description	This field identifies the end of data record in the message block. It contains the constant value 'SA1_END'.				
Processing outgoing EDI Sub-System					
ERP LN	This field will be filled with the constant value 'SA1_END'.				
Processing Incoming EDI Sub-System	This field will be filled with the constant value 'SA1_END'.				
ERP LN	None				



## SA2 Shipment Header

Status: Mandatory

Frequency: Once by ASN

Description: This data record contains all information of the Shipment Header except of address and text data, and it is related to SA1.

ASN In-house Format					Mapping from Application Table Fields (out)	Mapping to Application Table Fields (in)		
Pos	Field Description	Key	ST	FM	Table field	Action	Table field	Action
1	Kind of data record	O/I	M	an3	SA2		SA2	
2	Message Reference	O/I	M	an..35	ecedi701.bano	Generation (see below)	ecedi702.bano	Generation by EDI Sub-System
3	Net ID of Sender	O/I	M	an..17	ecedi020.neta	Conversion (see below)	ecedi702.bpid	Conversion (see below)
4	Shipment / Supplier's ASN no.		M	an..9 an..30	whinh430.shpm		whinh302.asnr	
5	EDI status		C	n..3	whinh430.stat	Conversion	whinh300.stat	Conversion
6	Planned Delivery Date		C	n..14	whinh430.pddt		whinh300.shdt	
7	Planned Receipt Date		C	n..14	whinh430.prdt		whinh300.pddt	
8	Freight Value		C	an..30	whinh430.fval		whinh300.fval	
9	Terms of Delivery		C	an..6	whinh430.cdec	Code and Conversion	tdsls400.cdec	Code and Conversion
10	Total Weight		C	an..16	whinh430.wght		whinh300.wght	
11	Unit of Measure		C	an..3	whinh431.cwun	Code and Conversion	whinh300.cwun	Code and Conversion
12	Ship-to Code		C	an..9	whinh430.stco	Conversion	whinh300.cwar	Conversion

Data Record Description by Type of Data Record

ASN In-house Format			Mapping from Application Table Fields (out)		Mapping to Application Table Fields (in)		
13	Qualifier Address code	M	an..6	"ZZ"			
14	Address/ BP Code	M	an..6	"SIBP"			"CWAR"
15	Ship-from Code	C	an..9	whinh430.sfco	Conversion	whinh300.sfbp	Conversion
16	Address/ BP Code	M	an..6	"SFBP"			"SFBP"
17	Date Confirmed	C	n..14	whinh430.cdat			whinh300.shdt
18	Class of Risk	C	an..15	whinh430.risk			
19	Hazardous Material	C	an1				whinh300.hazm
20	Kind of Charge	C	an..2	whinh430.koch			whinh300.koch
21	Charge Amount	C	an..16	whinh430.cham			whinh300.cham
22	Currency	C	an..6	whinh430.curr	Code and Conversion	whinh300.curr	Code and Conversion
23	Ship-to Address	C	an..9	whinh430.stad			whinh300.dadd
24	Shipment reference	C	an..3	whinh430.shrf			whinh300.shrf
25	Point of Title passage	C	an..9	whinh430.ptpa	Conversion	whinh300.ptpa	Conversion
26	Delivery Carrier	C	an..20	whinh440.card	Conversion	whinh300.carr	Conversion
27	Bill of Lading	C	an..30				whinh302.bola
28	Address/ BP Code // Packing Slip	C	an..6 an..30	ecedi224.code			whinh302.pcsp
29	Handling Unit	C	an..25	whinh430.huid			whinh300.exhu

ASN In-house Format				Mapping from Application Table Fields (out)	Mapping to Application Table Fields (in)
30	Load	C	an..9	whinh440.load	whinh300.load
31	Data Record End Sign	O/I	M	an7	SA2_END

Detailed description: ASN  
 Kind of data record: SA2 Shipment Header

Position	1	Field Format	an3	Field Status	M
Field Name	<u>Kind of Data Record</u>		Key field Out / IN		
Description	This field identifies the kind of data record in the message block. It contains the constant value 'SA2'.				
Processing outgoing EDI Sub-System					
ERP LN	This field will be filled with the constant value 'SA2'.				
Processing Incoming EDI Sub-System					
ERP LN	None				

Position	2	Field Format	an..35	Field Status	M
Field Name	<u>Message Reference</u>		Key field Out / IN		
Description	This field identifies all connected data records of one ASN. The numbering, which has to be clear by ASN, helps to control the chronological order of the ASNs and the complete transmission.				
Processing outgoing EDI Sub-System					
ERP LN	Analogously to data record SA1				
Processing Incoming EDI Sub-System					
ERP LN	Analogously to data record SA1				

Data Record Description by Type of Data Record

<b>Position</b>	<b>3</b>	<b>Field Format</b>	<b>an..17</b>	<b>Field Status</b>	<b>M</b>
<b>Field Name</b>		<b><u>Net ID of sender</u></b>		<b>Key field Out / In</b>	
Description		This field contains the identification of the sender (for example the ILN Number)			
Processing outgoing EDI Sub-System		Transmission of the value from the message file.			
ERP LN		Analogously to data record SA1			
Processing Incoming EDI Sub-System					
ERP LN		Analogously to data record SA1			

<b>Position</b>	<b>4</b>	<b>Field Format</b>	<b>an..9 / an..30</b>	<b>Field Status</b>	<b>M</b>
<b>Field Name</b>		<b><u>Shipment / ASN Number</u></b>			
Description		This field contains the own shipment respectively the supplier's ASN number.			
Processing outgoing EDI Sub-System		None			
ERP LN		The Shipment number is mapped from ERP LN table field whinh430.shpm to this position.			
Processing Incoming EDI Sub-System		Transmission of the value from the message file.			
ERP LN		Mapping to ERP LN table field whinh302.asnr.			

<b>Position</b>	<b>5</b>	<b>Field Format</b>	<b>an..6</b>	<b>Field Status</b>	<b>C</b>
<b>Field Name</b>		<b><u>EDI Status</u></b>			
Description		This field contains a qualifier for the status of the EDI Message.			
Processing outgoing EDI Sub-System		None			
ERP LN		The status from ERP LN table field tdpur400.odat is mapped to this position after conversion with ERP LN table ecedi480.			
Processing Incoming EDI Sub-System		Transmission of the value from the message file.			

Position	5	Field Format	an..6	Field Status	C
<b>Field Name</b>	<b><u>EDI Status</u></b>				
ERP LN	Mapping to the ERP LN table field whinh300.stat after conversion with ERP LN table ecedi346.				

Position	6	Field Format	an..14	Field Status	C
<b>Field Name</b>	<b><u>Planned Delivery Date / Time</u></b>				
Description	This field contains the date / time (YYYYMMDDHHMMSS) the shipment is confirmed / shipped.				
Processing outgoing EDI Sub-System	None				
ERP LN	The confirmed date / time from ERP LN table field whinh430.pddt is mapped to this position.				
Processing Incoming EDI Sub-System	Transmission of the value from the message file.				
ERP LN	Mapping to ERP LN table field whinh300.shdt.				

Position	7	Field Format	an..14	Field Status	C
<b>Field Name</b>	<b><u>Planned Receipt Date / Time</u></b>				
Description	This field contains the date / time (YYYYMMDDHHMMSS) the order is entered in the system.				
Processing outgoing EDI Sub-System	None				
ERP LN	The confirmed date / time from ERP LN table field whinh430.prdt is mapped to this position.				
Processing Incoming EDI Sub-System	Transmission of the value from the message file.				
ERP LN	Mapping to ERP LN table field whinh300.pddt				

Data Record Description by Type of Data Record

<b>Position</b>	<b>8</b>	<b>Field Format</b>	<b>Field Status</b>	<b>C</b>
<b>Field Name</b>		<b><u>Freight Value</u></b>		
Description		This position contains the amount of the value of the goods which should be delivered. Regarding the currency please refer to position 22. Field Format: NNNNNNNNNNN.NNNN (11.4)		
Processing outgoing EDI Sub-System		None		
ERP LN		The Freight Value of the dispatch advice from ERP LN table field whinh430.fval is mapped to this position.		
Processing Incoming EDI Sub-System		Transmission of the value from the message file.		
ERP LN		Mapping to the ERP LN table field whinh300.fval.		

<b>Position</b>	<b>9</b>	<b>Field Format</b>	<b>Field Status</b>	<b>C</b>
<b>Field Name</b>		<b><u>Terms of Delivery</u></b>		
Description		This field contains a code for the Term of Delivery. This field indicates how to frank the shipment. It contains a unique alphanumeric identification. You could use the EDIFACT notification or an own definition, for example CFR = Cost and Freight CIF = Cost, Insurance and Freight DES = Delivered Ex Ship DDU = Delivered Duty Unpaid FCA = Free Carrier		
Processing outgoing EDI Sub-System		None		
ERP LN		The purchase contract number is mapped from ERP LN table whinh430.cdec to this position after conversion with ERP LN table ecedi430.		
Processing Incoming EDI Sub-System		Transmission of the value from the message file.		
ERP LN		Mapping to the ERP LN table field whinh300.cdec after conversion with ERP LN table ecedi300.		

<b>Position</b>	<b>10</b>	<b>Field Format</b>	<b>an..16</b>	<b>Field Status</b>	<b>C</b>
<b>Field Name</b>		<b><u>Total weight</u></b>			
Description		This field contains the total weight of the goods which should be delivered referring to the Unit of Measure (Pos. 11). Field Format: NNNNNNNNNNN.NNNN (11.4)			
Processing outgoing EDI Sub-System		None			
ERP LN		The total weight of the shipment from ERP LN table field whinh430.wght is mapped to this position.			
Processing Incoming EDI Sub-System		Transmission of the value from the message file.			
ERP LN		Mapping to the ERP LN table field whinh300.wght.			
<b>Position</b>	<b>11</b>	<b>Field Format</b>	<b>an..3</b>	<b>Field Status</b>	<b>C</b>
<b>Field Name</b>		<b><u>Unit of Measure</u></b>			
Description		This field contains the weight unit of the item			
Processing outgoing EDI Sub-System		None			
ERP LN		The weight unit from ERP LN table field whinh431.cwun is mapped to this position and converted using table eced442.			
Processing Incoming EDI Sub-System		Transmission of the value from the message file.			
ERP LN		Mapping to the ERP LN table field whinh300.cwun and conversion with ERP LN table ecedi304.			
<b>Position</b>	<b>12</b>	<b>Field Format</b>	<b>an..9</b>	<b>Field Status</b>	<b>C</b>
<b>Field Name</b>		<b><u>Ship-to BP / Warehouse</u></b>			
Description		This position contains the code of the Ship-to Business Partner (OUT) respectively the Warehouse (IN).			
Processing outgoing EDI Sub-System		None			
ERP LN		The Ship-to BP Code from ERP LN table field whinh430.stco is converted using the conversion table ecedi463 and the default Qualifier "ZZ", and it is mapped to this position.			

Data Record Description by Type of Data Record

Position	12	Field Format	an..9	Field Status	C
<b>Field Name</b>	<b><u>Ship-to BP / Warehouse</u></b>				
Processing Incoming EDI Sub-System	Transmission of the value from the message file.				
ERP LN	The Warehouse Code has to convert using the conversion table ecedi355, and it has to map to the ERP LN table field whinh300.cwar.				

Position	13	Field Format	an..6	Field Status	M
<b>Field Name</b>	<b><u>Qualifier Address Code</u></b>				
Description	This position is used to store the default qualifier 1for the Address code which is defined in the message definition.				
Processing outgoing EDI Sub-System	None				
ERP LN	"ZZ"				
Processing Incoming EDI Sub-System					
ERP LN	"ZZ"				

Position	14	Field Format	an..6	Field Status	M
<b>Field Name</b>	<b><u>Address/ BP Code</u></b>				
Description	This position is used to send a constant value in the outgoing message.				
Processing outgoing EDI Sub-System	None				
ERP LN	Use the code "SIBP" to identify the Ship-to BP ""				
Processing Incoming EDI Sub-System					
ERP LN	Use the code "CWAR".				



Position	15	Field Format	Field Status
		an..20	C
<b>Field Name</b>	<b><u>Ship-from Code</u></b>		
Description	This position contains the code for the Business Partner respectively the warehouse where from the goods are shipped.		
Processing outgoing EDI Sub-System	None		
ERP LN	The Code for the Ship-from warehouse from ERP LN table field whinh430.sfco is converted using the conversion table ecedi463 and the default Qualifier "ZZ", and it is mapped to this position.		
Processing Incoming EDI Sub-System	Transmission of the value from the message file.		
ERP LN	Mapping to the ERP LN table field whinh300.sfbp and conversion with ERP LN table ecedi328.		

Position	16	Field Format	Field Status
		an...6	M
<b>Field Name</b>	<b><u>Address / BP Code</u></b>		
Description	This position contains the standard qualifier 2 for the Ship-from / Ship-to Business Partner.		
Processing outgoing EDI Sub-System	None		
ERP LN	The ERP LN table field ecedi224.code referring to the Qualifier Address Code is mapped to this position. Default value is the constant "SFBP".		
Processing Incoming EDI Sub-System	Transmission of the constant value "SFBP" to the position.		
ERP LN	ERP LN uses this qualifier to determine the Ship-from Address.		

Position	17	Field Format	Field Status
		an..14	C
<b>Field Name</b>	<b><u>Confirmed / Shipping Date</u></b>		
Description	This field contains the date / time (YYYYMMDDHHMMSS) the shipment is confirmed / shipped.		

Data Record Description by Type of Data Record

Position	17	Field Format	Field Status
		an..14	C
<b>Field Name</b>	<b><u>Confirmed / Shipping Date</u></b>		
Processing outgoing EDI Sub-System	None		
ERP LN	The confirmed date / time from ERP LN table field whinh430.cdat is mapped to this position.		
Processing Incoming EDI Sub-System	Transmission of the value from the message file.		
ERP LN	Mapping to ERP LN table field whinh300.shdt.		

Position	18	Field Format	Field Status
		an...15	C
<b>Field Name</b>	<b><u>Class of Risk</u></b>		
Description	This position contains information about the good's class of risk.		
Processing outgoing EDI Sub-System	None		
ERP LN	The class of risk from ERP LN Table field whinh430.risk is mapped to this position.		
Processing Incoming EDI Sub-System			
ERP LN	N. A.		

Position	19	Field Format	Field Status
		an1	C
<b>Field Name</b>	<b><u>Hazardous Material</u></b>		
Description	This position contains a qualifier if the goods are hazardous material. "0" means empty; "1" means "Yes"; "2" means "No"		
Processing outgoing EDI Sub-System			
ERP LN	N. A.		
Processing Incoming EDI Sub-System	Transmission of the value from the message file		
ERP LN	Mapping to the ERP LN table field whinh300.hazm		

Position	20	Field Format an...2	Field Status	C
<b>Field Name</b>	<b><u>Kind of Charge</u></b>			
Description	This position contains the kind of charge referring to the shipment.			
Processing outgoing EDI Sub-System				
ERP LN	The code for the Kind of Charge from ERP LN table field whinh430.koch is mapped to this position.			
Processing Incoming EDI Sub-System	Transmission of the value from the message file			
ERP LN	Mapping to the ERP LN table field whinh300.koch			

Position	21	Field Format an...16	Field Status	C
<b>Field Name</b>	<b><u>Charge Amount</u></b>			
Description	This position contains the charge amount referring to the shipment.			
Processing outgoing EDI Sub-System				
ERP LN	The Charge Amount from ERP LN table field whinh430.cham is mapped to this position.			
Processing Incoming EDI Sub-System	Transmission of the value from the message file			
ERP LN	Mapping to the ERP LN table field whinh300.cham			

Position	22	Field Format an..6	Field Status	C
<b>Field Name</b>	<b><u>Currency</u></b>			
Description	This field contains the Currency relevant for the ASN. It contains the clear alphanumeric identification of the currency. The currency code will be defined according to ISO 4217. For detailed information please refer to [ ]			
Processing outgoing EDI Sub-System	None			

Data Record Description by Type of Data Record

Position	22	Field Format	Field Status
		an..6	C
<b>Field Name</b>	<b><u>Currency</u></b>		
ERP LN	The Currency relevant for the own shipment from ERP LN table field whinh430.curr is mapped to this position and converted using table ecedi438.		
Processing Incoming EDI Sub-System	Transmission of the value from the message file.		
ERP LN	Mapping to the ERP LN table field whinh300.curr and conversion with ERP LN table ecedi324.		

Position	23	Field Format	Field Status
		an..20	C
<b>Field Name</b>	<b><u>Ship-to Address</u></b>		
Description	This position contains the address code for the Business Partner where the goods shipped.		
Processing outgoing EDI Sub-System	None		
ERP LN	The Address Code from ERP LN table field whinh430.stad is converted using the conversion table ecedi463 and the default Qualifier "ZZ", and it is mapped to this position. If no conversion is used the original value is mapped.		
Processing Incoming EDI Sub-System	Transmission of the value from the message file.		
ERP LN	The Address Code has to convert by the ERP LN table ecedi363 using the Address Code ID = "ZZ", and it has to map to the EREP LN table field whinh300.dadd.		

Position	24	Field Format	Field Status
		an..3	C
<b>Field Name</b>	<b><u>Shipment Reference</u></b>		
Description	This position contains the shipment reference		
Processing outgoing EDI Sub-System	None		
ERP LN	The Reference from ERP LN table field whinh430.shrf is mapped to this position.		
Processing Incoming EDI Sub-System	Transmission of the value from the message file.		

<b>Position</b>	<b>24</b>	<b>Field Format</b>	<b>an..3</b>	<b>Field Status</b>	<b>C</b>
<b>Field Name</b>	<b><u>Shipment Reference</u></b>				

ERP LN Mapping to ERP LN table field whinh300.shrf

<b>Position</b>	<b>25</b>	<b>Field Format</b>	<b>an..9</b>	<b>Field Status</b>	<b>C</b>
<b>Field Name</b>	<b><u>Point of title Passage</u></b>				

Description The field identifies the point at which the legal ownership changes.

Processing outgoing EDI Sub-System None

ERP LN The ERP LN table field whinh430.ptpa is mapped to this position.

Processing Incoming EDI Sub-System Transmission of the value from the message file.

ERP LN Mapping to the EREP LN table field whinh300.ptpa.

<b>Position</b>	<b>26</b>	<b>Field Format</b>	<b>an..20</b>	<b>Field Status</b>	<b>C</b>
<b>Field Name</b>	<b><u>Delivery Carrier</u></b>				

Description This field contains the Carrier's Code which is used for this shipment. The code list has to be agreed with the Business Partner.

Processing outgoing EDI Sub-System None

ERP LN The Code for the Forwarding Agent of the shipment from ERP LN table field whinh430.card is mapped to this position after conversion by ERP LN table ecedi456.

Processing Incoming EDI Sub-System Transmission of the value from the message file.

ERP LN Mapping to the ERP LN table field whinh300.carr and conversion with ERP LN table ecedi318.

Data Record Description by Type of Data Record

Position	27	Field Format	Field Status	C
		<b>an..30</b>		
<b>Field Name</b>		<b><u>Bill of Lading</u></b>		
Description		This field contains the documents number of the bill of lading.		
Processing outgoing EDI Sub-System				
ERP LN		N. A.		
Processing Incoming EDI Sub-System		Transmission of the value from the message file.		
ERP LN		Mapping to the ERP LN table field whinh302.bola		

Position	28 (Out)	Field Format	Field Status	C
		<b>an..6</b>		
<b>Field Name</b>		<b><u>Address/ BP Code</u></b>		
Description		This position is used to send a constant value in the outgoing message.		
Processing outgoing EDI Sub-System		None		
ERP LN		ecedi224.code		
Processing Incoming EDI Sub-System				
ERP LN		N.A.		

Position	28 (In)	Field Format	Field Status	C
		<b>an..30</b>		
<b>Field Name</b>		<b><u>Packing Slip</u></b>		
Description		This field contains the documents number of the packing slip.		
Processing outgoing EDI Sub-System				
ERP LN		N. A.		
Processing Incoming EDI Sub-System		Transmission of the value from the message file.		
ERP LN		Mapping to the ERP LN table field whinh302.pcsp		

Position	29	Field Format	an..25	Field Status	C
<b>Field Name</b>	<b><u>Handling Unit</u></b>				
Description	This field contains the identification of the used Handling Unit.				
Processing outgoing EDI Sub-System	None				
ERP LN	The handling unit ID from ERP LN table field whinh430.huid is mapped to this position.				
Processing Incoming EDI Sub-System	Transmission of the value from the message file.				
ERP LN	Mapping the external Handling Unit ID to the ERP LN table field whinh300.exhu.				

Position	30	Field Format	an..9	Field Status	C
<b>Field Name</b>	<b><u>Load</u></b>				
Description	This field contains the load number.				
Processing outgoing EDI Sub-System					
ERP LN	The load number from ERP LN table field whinh440.load is mapped to this position				
Processing Incoming EDI Sub-System	Transmission of the value from the message file.				
ERP LN	Mapping to the ERP LN table field whinh300.load				

Position	31	Field Format	an7	Field Status	M
<b>Field Name</b>	<b><u>Data Record end sign</u></b>				
Description	This field identifies the end of data record in the message block. It contains the constant value 'SA2_END'.				
Processing outgoing EDI Sub-System					
ERP LN	This field will be filled with the constant value 'SA2_END'.				
Processing Incoming EDI Sub-System	This field will be filled with the constant value 'SA2_END'.				
ERP LN	None				

## SA11 Shipment Header Addresses

Status: Conditional  
 Frequency: Once by ASN  
 Description: This data record contains the specific addresses of the Shipment header and is related data record SA2.

ASN In-house Format					Mapping from Application Table Fields (out)	Mapping to Application Table Fields (in)		
Pos	Field Description	Key	ST	FM	Table field	Action	Table field	Action
1	Kind of data record	O/I	M	an3	SA11		SA11	
2	Message Reference	O/I	M	an..35	ecedi701.bano	Generation (see below)	ecedi702.bano	Generation by EDI Sub-System
3	Net ID of Sender	O/I	M	an..17	ecedi020.neta	Conversion (see below)	ecedi702.bpid	Conversion (see below)
4	Shipment / Supplier's ASN no.		M	an..9 an..30	whinh430.shpm		whinh302.asnr	
5	Address Qualifier		M	an..6	ecedi224.code	Conversion	ecedi224.code	Conversion
6	Country		C	an..3	tccom130.ccty	Code and conversion	tccom130.ccty	Code and conversion
7	Name		C	an..35	tccom130.nama		tccom130.nama	
8	Name 2		C	an..35	tccom130.namb		tccom130.namb	
9	Address		C	an..30	tccom130.namc		tccom130.namc	
10	Address 2		C	an..30	tccom130.namd		tccom130.namd	
11								



ASN In-house Format				Mapping from Application Table Fields (out)	Mapping to Application Table Fields (in)
12	City 2	C	an..30	tccom130.namf	Evaluation WHSTAD <sup>1</sup> tccom130.namf
13	ZIP / Postal Code	C	an..10	tccom130.pstc	tccom130.pstc
14	State / Province	C	an..2	tccom130.cste	tccom130.cste
15	Telephone	C	an..32	tccom130.telp	tccom130.telp
16	Telex	C	an..15	tccom130.telx	tccom130.telx
17	Fax	C	an..32	tccom130.tefx	tccom130.tefx
18	GEO Code	C	an..10	tccom130.geoc	tccom130.geoc
19	House number	C	an..10	tccom130.hono	tccom130.hono
20	P.O. Box Number	C	an..10	tccom130.pobn	Evaluation WHSTAD tccom130.pobn
21					
22	City Description	C	an..30	tccom130.dsca	tccom130.dsca
23	City Code	C	an..8	tccom130.ccit	tccom130.ccit
24	Data Record End Sign	O/I	M	an7	SA11_END SA11_END

<sup>1</sup> WHSTAD = ASN Ship-to Address

tccom100.inrl = tcyesno.no or (strip(whinh430.stad) <> "" and whinh430.stad <> tccom111.cadr)

Data Record Description by Type of Data Record

Detailed description: ASN

Kind of data record: SA11 Shipment Header Addresses

Position	1	Field Format	an3	Field Status	M
Field Name	<u>Kind of Data Record</u>		Key field Out / IN		
Description	This field identifies the kind of data record in the message block. It contains the constant value 'SA11'.				
Processing outgoing EDI Sub-System					
ERP LN	This field will be filled with the constant value 'SA11'.				
Processing Incoming EDI Sub-System					
ERP LN	None				

Position	2	Field Format	an..35	Field Status	M
Field Name	<u>Message Reference</u>		Key field Out / IN		
Description	This field identifies all connected data records of one ASN. The numbering, which has to be clear by ASN, helps to control the chronological order of the ASNs and the complete transmission.				
Processing outgoing EDI Sub-System					
ERP LN	Refer to data record SA2				
Processing Incoming EDI Sub-System					
ERP LN	Refer to data record SA2				

Position	3	Field Format	an..17	Field Status	M
Field Name	<u>Net ID of sender</u>		Key field Out / In		
Description	This field contains the identification of the sender (for example the ILN Number)				
Processing outgoing EDI Sub-System	Transmission of the value from the message file.				
ERP LN	Refer to data record SA2				

<b>Position</b>	<b>3</b>	<b>Field Format</b>	<b>an..17</b>	<b>Field Status</b>	<b>M</b>
<b>Field Name</b>	<b><u>Net ID of sender</u></b>		<b>Key field Out / In</b>		
Processing Incoming EDI Sub-System					
ERP LN		Refer to data record SA2			

<b>Position</b>	<b>4</b>	<b>Field Format</b>	<b>an..9 / an..30</b>	<b>Field Status</b>	<b>M</b>
<b>Field Name</b>	<b><u>Shipment / Supplier's ASN no.</u></b>				
Description		This field contains the Shipment respectively the ASN number.			
Processing outgoing EDI Sub-System		None			
ERP LN		The Shipment ID is mapped from ERP LN table field whinh430.shpm to this position.			
Processing Incoming EDI Sub-System		Transmission of the value from the message file.			
ERP LN		Mapping to ERP LN table field whinh302.asnr			

<b>Position</b>	<b>5</b>	<b>Field Format</b>	<b>an..14</b>	<b>Field Status</b>	<b>C</b>
<b>Field Name</b>	<b><u>Address Qualifier Ship-to BP</u></b>				
Description		This field contains the Qualifier which identifies the next data set as an address referring to the Ship-to Business Partner. This qualifier must be entered in ERP LN table ecedi224 regarding to the used organization.			
Processing outgoing EDI Sub-System		None			
ERP LN		The field is filled in from ERP LN table field ecedi224.code; the default value is "SIBP".			
Processing Incoming EDI Sub-System		The value "STBP" is filled in this position.			
ERP LN		Mapping the constant value "SIBP" to the ERP LN table field ecedi224.code and conversion with table ecedi224.			

<b>Position</b>	<b>6</b>	<b>Field Format</b>	<b>an..3</b>	<b>Field Status</b>	<b>C</b>
<b>Field Name</b>		<b><u>Country</u></b>			
Description		This field contains the Country of the Address. The country codes have to be defined in ERP LN table ecedi226.			
Processing outgoing EDI Sub-System		None			
ERP LN		The country code of the address from ERP LN table field tccom130.ccty is mapped to this position and converts with ERP LN table ecedi440.			
Processing Incoming EDI Sub-System		Transmission of the value from the message file.			
ERP LN		Mapping to the ERP LN table field tccom130.ccty and conversion with ERP LN table ecedi302.			

<b>Position</b>	<b>7</b>	<b>Field Format</b>	<b>an..35</b>	<b>Field Status</b>	<b>C</b>
<b>Field Name</b>		<b><u>Name</u></b>			
Description		This field contains the first part of Name			
Processing outgoing EDI Sub-System		None			
ERP LN		The First part of the Name from ERP LN table field tccom130.nama is mapped to this position.			
Processing Incoming EDI Sub-System		Transmission of the value from the message file.			
ERP LN		Mapping to the ERP LN table field tccom130.nama			

<b>Position</b>	<b>8</b>	<b>Field Format</b>	<b>an..30</b>	<b>Field Status</b>	<b>C</b>
<b>Field Name</b>		<b><u>Name 2</u></b>			
Description		This field contains the second part of name			
Processing outgoing EDI Sub-System		None			

Position	8	Field Format an..30	Field Status	C
<b>Field Name</b>	<b><u>Name 2</u></b>			
ERP LN	The second part of the Name from ERP LN table field tccom130.namb is mapped to this position.			
Processing Incoming EDI Sub-System	Transmission of the value from the message file.			
ERP LN	Mapping to the ERP LN table field tccom130.namb			

Position	9	Field Format an..14	Field Status	C
<b>Field Name</b>	<b><u>Address</u></b>			
Description	This field contains the first part of the delivery address			
Processing outgoing EDI Sub-System	None			
ERP LN	The First part of the Address from ERP LN table field tccom130.namc is mapped to this position.			
Processing Incoming EDI Sub-System	Transmission of the value from the message file.			
ERP LN	Mapping to the ERP LN table field tccom130.namc			

Position	10	Field Format an..30	Field Status	C
<b>Field Name</b>	<b><u>Address 2</u></b>			
Description	This field contains the second part of the delivery address			
Processing outgoing EDI Sub-System	None			
ERP LN	The second part of the Address from ERP LN table field tccom130.namd is mapped to this position.			
Processing Incoming EDI Sub-System	Transmission of the value from the message file.			
ERP LN	Mapping to the ERP LN table field tccom130.namd			

Data Record Description by Type of Data Record

<b>Position</b>	<b>12</b>	<b>Field Format</b>	<b>Field Status</b>	<b>C</b>
<b>Field Name</b>		<b><u>City 2</u></b>		
Description		This field contains further information of the City (province / country) referring to the Ship-to BP.		
Processing outgoing EDI Sub-System		None		
ERP LN		The City information from ERP LN table field tccom130.namf is mapped to this position.		
Processing Incoming EDI Sub-System		Transmission of the value from the message file.		
ERP LN		Mapping to the ERP LN table field tccom130.namf		

<b>Position</b>	<b>13</b>	<b>Field Format</b>	<b>Field Status</b>	<b>C</b>
<b>Field Name</b>		<b><u>ZIP / Postal Code</u></b>	<b>Key field</b>	
Description		This field contains the ZIP or postal code referring to the delivery address		
Processing outgoing EDI Sub-System		None		
ERP LN		The ZIP Code from ERP LN table field tccom130.pstc is mapped to this position.		
Processing Incoming EDI Sub-System		Transmission of the value from the message file.		
ERP LN		Mapping to the ERP LN table field tccom130.pstc		

<b>Position</b>	<b>14</b>	<b>Field Format</b>	<b>Field Status</b>	<b>C</b>
<b>Field Name</b>		<b><u>State / Province</u></b>		
Description		This field contains the State / province information referring to the delivery address		
Processing outgoing EDI Sub-System		None		
ERP LN		The State / province from ERP LN table field tccom130.cstc is mapped to this position.		

Position	14	Field Format	an..2	Field Status	C
<b>Field Name</b>	<b><u>State / Province</u></b>				
Processing Incoming EDI Sub-System	Transmission of the value from the message file.				
ERP LN	Mapping to the ERP LN table field tccom130.cstc				

Position	15	Field Format	an..32	Field Status	C
<b>Field Name</b>	<b><u>Telephone</u></b>				
Description	This field contains the telephone number				
Processing outgoing EDI Sub-System	None				
ERP LN	The Telephone number from ERP LN table field tccom130.telp is mapped to this position.				
Processing Incoming EDI Sub-System	Transmission of the value from the message file.				
ERP LN	Mapping to the ERP LN table field tccom130.telp				

Position	16	Field Format	an..15	Field Status	C
<b>Field Name</b>	<b><u>Telex</u></b>				
Description	This field contains the telex number				
Processing outgoing EDI Sub-System	None				
ERP LN	The Telex number from ERP LN table field tccom130.telx is mapped to this position.				
Processing Incoming EDI Sub-System	Transmission of the value from the message file.				
ERP LN	Mapping to the ERP LN table field tccom130.telx				

Position	17	Field Format	an..32	Field Status	C
<b>Field Name</b>	<b><u>Telefax</u></b>				
Description	This field contains the Fax number				

Data Record Description by Type of Data Record

Position	17	Field Format	Field Status
		<b>an..32</b>	<b>C</b>
<b>Field Name</b>	<b><u>Telefax</u></b>		
Processing outgoing EDI Sub-System	None		
ERP LN	The Fax number from ERP LN table field tccom130.tefx is mapped to this position.		
Processing Incoming EDI Sub-System	Transmission of the value from the message file.		
ERP LN	Mapping to the ERP LN table field tccom130.tefx		

Position	18	Field Format	Field Status
		<b>an..10</b>	<b>C</b>
<b>Field Name</b>	<b><u>GEO Code</u></b>		
Description	This field contains the GEO Code		
Processing outgoing EDI Sub-System	None		
ERP LN	The GEO Code from ERP LN table field tccom130.geoc is mapped to this position.		
Processing Incoming EDI Sub-System	Transmission of the value from the message file.		
ERP LN	Mapping to the ERP LN table field tccom130.geoc		

Position	19	Field Format	Field Status
		<b>an..10</b>	<b>C</b>
<b>Field Name</b>	<b><u>House Number</u></b>		
Description	This field contains the house number referring to the address		
Processing outgoing EDI Sub-System	None		
ERP LN	The house number from ERP LN table field tccom130.hono is mapped to this position.		
Processing Incoming EDI Sub-System	Transmission of the value from the message file.		
ERP LN	Mapping to the ERP LN table field tccom130.hono		



<b>Position</b>	<b>20</b>	<b>Field Format</b>	<b>Field Status</b>	<b>C</b>
<b>Field Name</b>		<b><u>P.O. Box Number</u></b>		
Description		This field contains the Ship-to BP's P.O. Box Number		
Processing outgoing EDI Sub-System		None		
ERP LN		The Box number from ERP LN table field tccom130.pobn is mapped to this position.		
Processing Incoming EDI Sub-System		Transmission of the value from the message file.		
ERP LN		Mapping to the ERP LN table field tccom130.pobn		

<b>Position</b>	<b>22</b>	<b>Field Format</b>	<b>Field Status</b>	<b>C</b>
<b>Field Name</b>		<b><u>City Description</u></b>	<b>Key field</b>	
Description		This field contains the Description of the City		
Processing outgoing EDI Sub-System		None		
ERP LN		The string from ERP LN table field tccom130.dsca is mapped to this position.		
Processing Incoming EDI Sub-System		Transmission of the value from the message file.		
ERP LN		Mapping to the ERP LN table field tccom130.dsca		

<b>Position</b>	<b>23</b>	<b>Field Format</b>	<b>Field Status</b>	<b>C</b>
<b>Field Name</b>		<b><u>City Code</u></b>		
Description		This field contains the Code of the City		
Processing outgoing EDI Sub-System		None		
ERP LN		The Code from ERP LN table field tccom130.ccit is mapped to this position.		
Processing Incoming EDI Sub-System		Transmission of the value from the message file.		
ERP LN		Mapping to the ERP LN table field tccom130.ccit		

Position	24	Field Format	an7	Field Status	M
<b>Field Name</b>	<b><u>Data Record end sign</u></b>				
Description	This field identifies the end of data record in the message block. It contains the constant value 'SA11_END'.				
Processing outgoing EDI Sub-System					
ERP LN	This field will be filled with the constant value 'SA11_END'.				
Processing Incoming EDI Sub-System					
ERP LN	None				

## SA3 Shipment Header Text

Status: Conditional

Frequency: Once by ASN

Description: This data record contains the text information of the Shipment Header and is related to SA2.

Pos	ASN In-house Format				Mapping from Application Table Fields (out)		Mapping to Application Table Fields (in)	
	Field Description	Key	ST	FM	Table field	Action	Table field	Action
1	Kind of data record	O/I	M	an3	SA3		SA3	
2	Message Reference	O/I	M	an..35	ecedi701.bano	Generation (see below)	ecedi702.bano	Generation by EDI Sub-System
3	Net ID of Sender	O/I	M	an..17	ecedi020.neta	Conversion (see below)	ecedi702.bpid	Conversion (see below)
4	Shipment / Supplier's ASN no.	O/I	M	an..9 an..30	whinh430.shpm		whinh302.asnr	

ASN In-house Format				Mapping from Application Table Fields (out)	Mapping to Application Table Fields (in)
5	Shipment text 1	C	an..70	whinh430.text	whinh300.text
6	Shipment text 2	C	an..70	whinh430.text	whinh300.text
7	Shipment text 3	C	an..70	whinh430.text	whinh300.text
8	Shipment text 4	C	an..70	whinh430.text	whinh300.text
9	Shipment text 5	C	an..70	whinh430.text	whinh300.text
10	Data Record End Sign	O/I	M an7	SA3_END	SA3_END

Detailed description:

ASN

Kind of data record:

SA3 Shipment Header Text

Position	1	Field Format	an3	Field Status	M
Field Name	<u>Kind of Data Record</u>		Key field Out / IN		
Description	This field identifies the kind of data record in the message block. It contains the constant value 'SA3'.				
Processing outgoing EDI Sub-System					
ERP LN	This field will be filled with the constant value 'SA3'.				
Processing Incoming EDI Sub-System					
ERP LN	None				

Position	2	Field Format	an..35	Field Status	M
Field Name	<u>Message Reference</u>		Key field Out / IN		
Description	This field identifies all connected data records of one ASN. The numbering, which has to be clear by ASN, helps to control the chronological order of the ASNs and the complete transmission.				

Data Record Description by Type of Data Record

Position	2	Field Format	an..35	Field Status	M
Field Name		<u>Message Reference</u>		Key field Out / IN	
Processing outgoing EDI Sub-System					
ERP LN		Refer to data record SA2			
Processing Incoming EDI Sub-System					
ERP LN		Refer to data record SA2			

Position	3	Field Format	an..17	Field Status	M
Field Name		<u>Net ID of sender</u>		Key field Out / In	
Description		This field contains the identification of the sender (for example the ILN Number)			
Processing outgoing EDI Sub-System		.			
ERP LN		Refer to data record SA2			
Processing Incoming EDI Sub-System					
ERP LN		Refer to data record SA2			

Position	4	Field Format	an..9 / an..30	Field Status	M
Field Name		<u>Shipment / ASN number</u>		Key field Out / In	
v		This field identifies the end of data record in the message block. It contains the constant value 'SA11_END'.			
Processing outgoing EDI Sub-System					
ERP LN		This field will be filled with the constant value 'SA11_END'.			
Processing Incoming EDI Sub-System		This field will be filled with the constant value 'SA11_END'.			
ERP LN		None			

<b>Position</b>	<b>5</b>	<b>Field Format</b>	<b>Field Status</b>	<b>C</b>
<b>Field Name</b>	<b><u>Shipment Header Text 1</u></b>			
Description	This field contains a free text 1 with a maximum of 70 characters.			
Processing outgoing EDI Sub-System				
ERP LN	Mapping of ERP LN table field whinh430.text to position.			
Processing Incoming EDI Sub-System	Transmission of the value from the transmission file.			
ERP LN	Mapping to ERP LN table field whinh300.text			

<b>Position</b>	<b>6</b>	<b>Field Format</b>	<b>Field Status</b>	<b>C</b>
<b>Field Name</b>	<b><u>Shipment Header Text 2</u></b>			
Description	This field contains a free text 2 with a maximum of 70 characters.			
Processing outgoing EDI Sub-System				
ERP LN	Mapping of ERP LN table field whinh430.text to position.			
Processing Incoming EDI Sub-System	Transmission of the value from the transmission file.			
ERP LN	Mapping to ERP LN table field whinh300.text			

<b>Position</b>	<b>7</b>	<b>Field Format</b>	<b>Field Status</b>	<b>C</b>
<b>Field Name</b>	<b><u>Shipment Header Text 3</u></b>			
Description	This field contains a free text 3 with a maximum of 70 characters.			
Processing outgoing EDI Sub-System				
ERP LN	Mapping of ERP LN table field whinh430.text to position.			
Processing Incoming EDI Sub-System	Transmission of the value from the transmission file.			
ERP LN	Mapping to ERP LN table field whinh300.text			

<b>Position</b>	<b>8</b>	<b>Field Format</b>	<b>Field Status</b>	<b>C</b>
<b>Field Name</b>	<b><u>Shipment Header Text 4</u></b>			
Description	This field contains a free text 4 with a maximum of 70 characters.			
Processing outgoing EDI Sub-System				
ERP LN	Mapping of ERP LN table field whinh430.text to position.			
Processing Incoming EDI Sub-System	Transmission of the value from the transmission file.			
ERP LN	Mapping to ERP LN table field whinh300.text			

<b>Position</b>	<b>9</b>	<b>Field Format</b>	<b>Field Status</b>	<b>C</b>
<b>Field Name</b>	<b><u>Shipment Header Text 5</u></b>			
Description	This field contains a free text 5 with a maximum of 70 characters.			
Processing outgoing EDI Sub-System				
ERP LN	Mapping of ERP LN table field whinh430.text to position.			
Processing Incoming EDI Sub-System	Transmission of the value from the transmission file.			
ERP LN	Mapping to ERP LN table field whinh300.text			

<b>Position</b>	<b>7</b>	<b>Field Format</b>	<b>Field Status</b>	<b>M</b>
<b>Field Name</b>	<b><u>Data Record end sign</u></b>			
Description	This field identifies the end of data record in the message block. It contains the constant value 'SA3_END'.			
Processing outgoing EDI Sub-System				
ERP LN	This field will be filled with the constant value 'SA3_END'.			
Processing Incoming EDI Sub-System	This field will be filled with the constant value 'SA3_END'.			

<b>Position</b>	<b>7</b>	<b>Field Format</b>	<b>an7</b>	<b>Field Status</b>	<b>M</b>
<b>Field Name</b>	<b><u>Data Record end sign</u></b>				
ERP LN	None				

## SA4 Shipment Header Text EDI

Status: Conditional

Frequency: Once by ASN

Description: This data record contains the EDI text information of the Shipment Header and is related to SA2.

ASN In-house Format					Mapping from Application Table Fields (out)	Mapping to Application Table Fields (in)		
Pos	Field Description	Key	ST	FM	Table field	Action	Table field	Action
1	Kind of data record	O/I	M	an3	SA4		SA4	
2	Message Reference	O/I	M	an..35	ecedi701.bano	Generation (see below)	ecedi702.bano	Generation by EDI Sub-System
3	Net ID of Sender	O/I	M	an..17	ecedi020.neta	Conversion (see below)	ecedi702.bpid	Conversion (see below)
4	Shipment / Supplier's ASN no.	O/I	M	an..9 an..30	whinh430.shpm		whinh302.asnr	
5	EDI information 1		C	an..70	whinh430.iedi		whinh300.iedi	
6	EDI information 2		C	an..70	whinh430.iedi		whinh300.iedi	
7	EDI information 3		C	an..70	whinh430.iedi		whinh300.iedi	
8	EDI information 4		C	an..70	whinh430.iedi		whinh300.iedi	

Data Record Description by Type of Data Record

ASN In-house Format				Mapping from Application Table Fields (out)	Mapping to Application Table Fields (in)
9	EDI information 5	C	an..70	whinh430.iedi	whinh300.iedi
10	Data Record End Sign	O/I	M an7	SA4_END	SA4_END

Detailed description: ASN

Kind of data record: SA4 Shipment Header Text EDI

Position	1	Field Format	an3	Field Status	M
Field Name	<u>Kind of Data Record</u>		Key field Out / IN		
Description	This field identifies the kind of data record in the message block. It contains the constant value 'SA4'.				
Processing outgoing EDI Sub-System					
ERP LN	This field will be filled with the constant value 'SA4'.				
Processing Incoming EDI Sub-System					
ERP LN	None				

Position	2	Field Format	an..35	Field Status	M
Field Name	<u>Message Reference</u>		Key field Out / IN		
Description	This field identifies all connected data records of one ASN. The numbering, which has to be clear by ASN, helps to control the chronological order of the ASNs and the complete transmission.				
Processing outgoing EDI Sub-System					
ERP LN	Refer to data record SA2				
Processing Incoming EDI Sub-System					
ERP LN	Refer to data record SA2				



Position	3	Field Format	an..17	Field Status	M
Field Name		<u>Net ID of sender</u>		Key field Out / In	
Description		This field contains the identification of the sender (for example the ILN Number)			
Processing outgoing EDI Sub-System		.			
ERP LN		Refer to data record SA2			
Processing Incoming EDI Sub-System		.			
ERP LN		Refer to data record SA2			

Position	4	Field Format	an..9 / an..30	Field Status	M
Field Name		<u>Shipment / ASN number</u>		Key field Out / In	
Description		This field contains the Shipment / Supplier's ASN Number.			
Processing outgoing EDI Sub-System		.			
ERP LN		Refer to data record SA2.			
Processing Incoming EDI Sub-System		.			
ERP LN		Refer to data record SA2			

Position	5	Field Format	an..70	Field Status	C
Field Name		<u>EDI information 1</u>			
Description		This field contains the EDI information (pos.1) with a maximum of 70 characters.			
Processing outgoing EDI Sub-System		.			
ERP LN		Mapping of ERP LN table field whinh430.iedi to position.			
Processing Incoming EDI Sub-System		Transmission of the value from the transmission file.			
ERP LN		Mapping to ERP LN table field whinh300.iedi			

<b>Position</b>	<b>6</b>	<b>Field Format</b>	<b>Field Status</b>	<b>C</b>
<b>Field Name</b>	<b><u>EDI information 2</u></b>			
Description	This field contains the EDI information (pos.2) with a maximum of 70 characters.			
Processing outgoing EDI Sub-System				
ERP LN	Mapping of ERP LN table field whinh430.iedi to position.			
Processing Incoming EDI Sub-System	Transmission of the value from the transmission file.			
ERP LN	Mapping to ERP LN table field whinh300.iedi			

<b>Position</b>	<b>7</b>	<b>Field Format</b>	<b>Field Status</b>	<b>C</b>
<b>Field Name</b>	<b><u>EDI information 3</u></b>			
Description	This field contains the EDI information (pos.3) with a maximum of 70 characters.			
Processing outgoing EDI Sub-System				
ERP LN	Mapping of ERP LN table field whinh430.iedi to position.			
Processing Incoming EDI Sub-System	Transmission of the value from the transmission file.			
ERP LN	Mapping to ERP LN table field whinh300.iedi			

<b>Position</b>	<b>8</b>	<b>Field Format</b>	<b>Field Status</b>	<b>C</b>
<b>Field Name</b>	<b><u>EDI information 4</u></b>			
Description	This field contains the EDI information (pos.4) with a maximum of 70 characters.			
Processing outgoing EDI Sub-System				
ERP LN	Mapping of ERP LN table field whinh430.iedi to position.			
Processing Incoming EDI Sub-System	Transmission of the value from the transmission file.			

<b>Position</b>	<b>8</b>	<b>Field Format</b>	<b>Field Status</b>	<b>C</b>
		<b>an..70</b>		
<b>Field Name</b>	<b><u>EDI information 4</u></b>			
ERP LN	Mapping to ERP LN table field whinh300.iedi text			

<b>Position</b>	<b>9</b>	<b>Field Format</b>	<b>Field Status</b>	<b>C</b>
		<b>an..70</b>		
<b>Field Name</b>	<b><u>EDI information 5</u></b>			
Description	This field contains the EDI information (pos.5) with a maximum of 70 characters.			
Processing outgoing EDI Sub-System				
ERP LN	Mapping of ERP LN table field whinh430.iedi to position.			
Processing Incoming EDI Sub-System	Transmission of the value from the transmission file.			
ERP LN	Mapping to ERP LN table field whinh300.iedi			

<b>Position</b>	<b>10</b>	<b>Field Format</b>	<b>Field Status</b>	<b>M</b>
		<b>an7</b>		
<b>Field Name</b>	<b><u>Data Record end sign</u></b>			
Description	This field identifies the end of data record in the message block. It contains the constant value 'SA4_END'.			
Processing outgoing EDI Sub-System				
ERP LN	This field will be filled with the constant value 'SA4_END'.			
Processing Incoming EDI Sub-System	This field will be filled with the constant value 'SA4_END'.			
ERP LN	None			

## SA5 Shipment Routing

Status: Conditional

Frequency: Multiple by ASN

Description: This data record contains the specific routing information of the Shipment Header and is related to SA2.

ASN In-house Format					Mapping from Application Table Fields (out)	Mapping to Application Table Fields (in)		
Pos	Field Description	Key	ST	FM	Table field	Action	Table field	Action
1	Kind of data record	O/I	M	an3	SA5		SA5	
2	Message Reference	O/I	M	an..35	ecedi701.bano	Generation (see below)	ecedi702.bano	Generation by EDI Sub-System
3	Net ID of Sender	O/I	M	an..17	ecedi020.neta	Conversion (see below)	ecedi702.bpid	Conversion (see below)
4	Shipment / Supplier's ASN no.	O/I	M	an..9 an..30	whinh430.shpm		whinh302.asnr	
5	Routing Sequence Code		C	an..2	whinh415.rscd		whinh315.rscd	
6	Standard Carrier Alpha Code		C	an..20	tcmcs080.scac		empty	
7	Transport Category		C	an..3	tcmcs080.trmd		empty	
8	Equipment Description Code		C	an..2	whinh415.edcd		whinh315.edcd	
9	Equipment Initial		C	an..4	whinh415.eqin		whinh315.eqin	
10	Equipment Number		C	an..10	whinh415.eqnr		whinh315.eqnr	
11	Seal Number		C	an..15	whinh415.seal		whinh315.seal	
12	Carrier		C	an..20	whinh415.carr	Conversion	whinh315.carr	Conversion

ASN In-house Format				Mapping from Application Table Fields (out)	Mapping to Application Table Fields (in)
13	Data Record End Sign	O/I	M	an7	SA5_END

Detailed description: ASN  
 Kind of data record: SA5 Shipment Routing

Position	1	Field Format	an3	Field Status	M
Field Name	<u>Kind of Data Record</u>		Key field Out / IN		
Description	This field identifies the kind of data record in the message block. It contains the constant value 'SA5'.				
Processing outgoing EDI Sub-System					
ERP LN	This field will be filled with the constant value 'SA5'.				
Processing Incoming EDI Sub-System					
ERP LN	None				

Position	2	Field Format	an..35	Field Status	M
Field Name	<u>Message Reference</u>		Key field Out / IN		
Description	This field identifies all connected data records of one ASN. The numbering, which has to be clear by ASN, helps to control the chronological order of the ASNs and the complete transmission.				
Processing outgoing EDI Sub-System					
ERP LN	Refer to data record SA2				
Processing Incoming EDI Sub-System					
ERP LN	Refer to data record SA2				

Data Record Description by Type of Data Record

<b>Position</b>	<b>3</b>	<b>Field Format</b>	<b>an..17</b>	<b>Field Status</b>	<b>M</b>
<b>Field Name</b>	<b><u>Net ID of sender</u></b>		<b>Key field Out / In</b>		
Description	This field contains the identification of the sender (for example the ILN Number)				
Processing outgoing EDI Sub-System	.				
ERP LN	Refer to data record SA2				
Processing Incoming EDI Sub-System	.				
ERP LN	Refer to data record SA2				

<b>Position</b>	<b>4</b>	<b>Field Format</b>	<b>an..9 / an..30</b>	<b>Field Status</b>	<b>M</b>
<b>Field Name</b>	<b><u>Shipment / ASN number</u></b>		<b>Key field Out / In</b>		
Description	This field contains the Shipment / Supplier's ASN Number.				
Processing outgoing EDI Sub-System	.				
ERP LN	Refer to data record SA2.				
Processing Incoming EDI Sub-System	.				
ERP LN	Refer to data record SA2				

<b>Position</b>	<b>5</b>	<b>Field Format</b>	<b>an..2</b>	<b>Field Status</b>	<b>C</b>
<b>Field Name</b>	<b><u>Routing Sequence Code</u></b>				
Description	<p>A priority code or number defining the position of the carrier in the sequence of carriers used for a shipment. Where more than one carrier is used, one must be first the next is second, and so on. For example, according to ANSI code specifications:</p> <p>A = Origin carrier            1 = First carrier after origin carrier            2 = Second carrier after origin carrier, and so on.</p>				
Processing outgoing EDI Sub-System	.				

Position	5	Field Format	an..2	Field Status	C
<b>Field Name</b>	<b><u>Routing Sequence Code</u></b>				
ERP LN	The routing sequence code from ERP LN table field whinh415.rscd is mapped to this position.				
Processing Incoming EDI Sub-System	Transmission of the value from the transmission file.				
ERP LN	Mapping to ERP LN table field whinh315.rscd				

Position	6	Field Format	an..20	Field Status	C
<b>Field Name</b>	<b><u>Standard Carrier Alpha Code</u></b>				
Description	This field contains the standard alphabetic classification of common carriers. The common carriers can be classified by the standard alphabetic classification code.				
Processing outgoing EDI Sub-System					
ERP LN	Mapping of ERP LN table field tcmcs080.scac to position.				
Processing Incoming EDI Sub-System	Transmission of the value from the transmission file.				
ERP LN	None				

Position	7	Field Format	an..3	Field Status	C
<b>Field Name</b>	<b><u>Transport Category</u></b>				
Description	This field contains the type of transport provided by the carrier. If a carrier supplies more than one type of transport, you must define the carrier once for each type. For example "0" means empty position				
Processing outgoing EDI Sub-System					
ERP LN	Mapping of ERP LN table field tcmcs080.trmd to position.				
Processing Incoming EDI Sub-System	Transmission of the value from the transmission file.				
ERP LN	None				

Data Record Description by Type of Data Record

<b>Position</b>	<b>8</b>	<b>Field Format</b>	<b>an..2</b>	<b>Field Status</b>	<b>C</b>
<b>Field Name</b>	<b><u>Equipment Description Code</u></b>				
Description	This field contains a code identifying the type of equipment used for the shipment. For example TL = trailer..				
Processing outgoing EDI Sub-System					
ERP LN	The equipment description code from ERP LN table field whinh415.edcd is mapped to this position.				
Processing Incoming EDI Sub-System	Transmission of the value from the transmission file.				
ERP LN	Mapping to ERP LN table field whinh315.edcd				

<b>Position</b>	<b>9</b>	<b>Field Format</b>	<b>an..4</b>	<b>Field Status</b>	<b>C</b>
<b>Field Name</b>	<b><u>Equipment Initial</u></b>				
Description	This field contains the prefix (or alphabetic part) of the equipment's ID code.				
Processing outgoing EDI Sub-System					
ERP LN	Mapping of ERP LN table field whinh415.eqin to position.				
Processing Incoming EDI Sub-System	Transmission of the value from the transmission file.				
ERP LN	Mapping to ERP LN table field whinh315.eqin				

<b>Position</b>	<b>10</b>	<b>Field Format</b>	<b>an..10</b>	<b>Field Status</b>	<b>C</b>
<b>Field Name</b>	<b><u>Equipment Number</u></b>				
Description	This field contains the sequencing (or numeric) part of an equipment unit's ID code number.				
Processing outgoing EDI Sub-System					
ERP LN	Mapping of ERP LN table field whinh415.eqnr to position.				
Processing Incoming EDI Sub-System	Transmission of the value from the transmission file.				



<b>Position</b>	<b>10</b>	<b>Field Format</b>	<b>Field Status</b>	<b>C</b>
		<b>an..10</b>		
<b>Field Name</b>	<b><u>Equipment Number</u></b>			
ERP LN	Mapping to ERP LN table field whinh315.eqnr			

<b>Position</b>	<b>11</b>	<b>Field Format</b>	<b>Field Status</b>	<b>C</b>
		<b>an..15</b>		
<b>Field Name</b>	<b><u>Seal Number</u></b>			
Description	This field contains the number on the shipment's seal.			
Processing outgoing EDI Sub-System				
ERP LN	Mapping of ERP LN table field whinh415.seal to position.			
Processing Incoming EDI Sub-System	Transmission of the value from the transmission file.			
ERP LN	Mapping to ERP LN table field whinh315.seal			

<b>Position</b>	<b>12</b>	<b>Field Format</b>	<b>Field Status</b>	<b>C</b>
		<b>an..20</b>		
<b>Field Name</b>	<b><u>Carrier</u></b>			
Description	This field contains Carrier's Code of the actual forwarding agent.			
Processing outgoing EDI Sub-System				
ERP LN	The code for the forwarding agent from ERP LN table field whinh415.carr is mapped to this position and converted using table ecedi456..			
Processing Incoming EDI Sub-System	Transmission of the value from the transmission file.			
ERP LN	Mapping to the ERP LN table field whinh315.carr and conversion with table ecedi318.			

Position	13	Field Format	an7	Field Status	M
<b>Field Name</b>	<b><u>Data Record end sign</u></b>				
Description	This field identifies the end of data record in the message block. It contains the constant value 'SA5_END'.				
Processing outgoing EDI Sub-System					
ERP LN	This field will be filled with the constant value 'SA5_END'.				
Processing Incoming EDI Sub-System					
ERP LN	None				

## SA6 Clustered Shipment Lines

Status: Conditional

Frequency: Multiple by ASN

Description: This data record is related to SA2 and refers  
 - on the outgoing side to the Bill of Lading and contains the clustered Shipment Lines;  
 - on the incoming side to the ASN Header and contains the Packaging data.

ASN In-house Format				Mapping from Application Table Fields (out)		Mapping to Application Table Fields (in)		
Pos	Field Description	Key	ST	FM	Table field	Action	Table field	Action
1	Kind of data record	O/I	M	an3	SA6		SA6	
2	Message Reference	O/I	M	an..35	ecedi701.bano	Generation (see below)	ecedi702.bano	Generation by EDI Sub-System
3	Net ID of Sender	O/I	M	an..17	ecedi020.neta	Conversion (see below)	ecedi702.bpid	Conversion (see below)

ASN In-house Format				Mapping from Application Table Fields (out)	Mapping to Application Table Fields (in)	
4	Shipment / Supplier's ASN no.	O/I	M	an..9 an..30	whinh430.shpm  whinh302.asnr	
5	Shipment Line		C	an..2	whinh432.seqn	
6	Unit of Measure / Packing Unit		C	an..3	whinh432.cuni Conversion	whinh303.pkcd Conversion
7	Shipped / Package Quantity		C	an..16	whinh432.dqua	whinh303.pkqu
8	(Package) Gross Weight		C	an..16	whinh432.grwt	whinh303.pkwt
9	Unit of Measure		C	an..3	whinh432.cwun Conversion	whinh303.cwun Conversion
10	Data Record End Sign	O/I	M	an7	SA6_END	SA6_END

Detailed description:

ASN

Kind of data record:

SA6 Clustered Shipment Lines

Position	1	Field Format	an3	Field Status	M
Field Name	<u>Kind of Data Record</u>		Key field Out / IN		
Description	This field identifies the kind of data record in the message block. It contains the constant value 'SA6'.				
Processing outgoing EDI Sub-System					
ERP LN	This field will be filled with the constant value 'SA6'.				
Processing Incoming EDI Sub-System					
ERP LN	None				

Data Record Description by Type of Data Record

Position	2	Field Format	an..35	Field Status	M
Field Name	<u>Message Reference</u>		Key field Out / IN		
Description	This field identifies all connected data records of one ASN. The numbering, which has to be clear by ASN, helps to control the chronological order of the ASNs and the complete transmission.				
Processing outgoing EDI Sub-System					
ERP LN	Refer to data record SA2				
Processing Incoming EDI Sub-System					
ERP LN	Refer to data record SA2				

Position	3	Field Format	an..17	Field Status	M
Field Name	<u>Net ID of sender</u>		Key field Out / In		
Description	This field contains the identification of the sender (for example the ILN Number)				
Processing outgoing EDI Sub-System	.				
ERP LN	Refer to data record SA2				
Processing Incoming EDI Sub-System					
ERP LN	Refer to data record SA2				

Position	4	Field Format	an..9 / an..30	Field Status	M
Field Name	<u>Shipment / ASN number</u>		Key field Out / In		
Description	This field contains the Shipment / Supplier's ASN Number.				
Processing outgoing EDI Sub-System					
ERP LN	Refer to data record SA2.				
Processing Incoming EDI Sub-System	.				
ERP LN	Refer to data record SA2				

Position	5	Field Format	an..2	Field Status	C
<b>Field Name</b>	<b><u>Shipment Line</u></b>				
Description	This field contains the ID code of the clustered shipment line referring to the outgoing ASN.				
Processing outgoing EDI Sub-System					
ERP LN	Mapping of ERP LN table field whinh432.seqn to position.				
Processing Incoming EDI Sub-System					
ERP LN	N.A.				

Position	6	Field Format	an..3	Field Status	C
<b>Field Name</b>	<b><u>Unit of Measure / Packaging Unit</u></b>				
Description	This field contains (OUT) the inventory unit used to express the shipped quantity of items (IN) the units in which the packaging quantity is expressed				
Processing outgoing EDI Sub-System					
ERP LN	Mapping of ERP LN table field whinh432.cuni to position after conversion by ERP LN table ecedi442.				
Processing Incoming EDI Sub-System	Transmission of the value from the transmission file.				
ERP LN	Mapping to ERP LN table field whinh303.pkcd after conversion by ERP LN table eced304.				

Position	7	Field Format	an..16	Field Status	C
<b>Field Name</b>	<b><u>Shipped / Package Quantity</u></b>				
Description	This field contains (OUT) the actual quantity of goods of the clustered shipment line expressed in inventory unit. (IN) the number of packaging units on the ASN Header				

Data Record Description by Type of Data Record

Position	7	Field Format	Field Status
		an..16	C
<b>Field Name</b>	<b><u>Shipped / Package Quantity</u></b>		
Processing outgoing EDI Sub-System			
ERP LN	Mapping of ERP LN table field whinh432.dqua to position.		
Processing Incoming EDI Sub-System			
ERP LN	Transmission of the value from the transmission file.		
ERP LN	Mapping to ERP LN table field whinh303.pkqu		

Position	8	Field Format	Field Status
		an..16	C
<b>Field Name</b>	<b><u>(Package) Gross Weight</u></b>		
Description			
This field contains (OUT) the weight, including packaging, of the shipment lines clustered for a Bill of Lading (IN). the number of packaging weight units on the ASN Header			
Processing outgoing EDI Sub-System			
ERP LN	Mapping of ERP LN table field whinh432.grwt to position.		
Processing Incoming EDI Sub-System			
ERP LN	Transmission of the value from the transmission file.		
ERP LN	Mapping to ERP LN table field whinh303.pkwt		

Position	9	Field Format	Field Status
		an..3	C
<b>Field Name</b>	<b><u>Unit of Measure</u></b>		
Description			
This field contains (OUT) the unit used to express the net weight of an item (IN) the unit in which the packaging weight is expressed			
Processing outgoing EDI Sub-System			
ERP LN	Mapping of ERP LN table field whinh430.iedi to position after conversion by ERP LN table ecedi442.		
Processing Incoming EDI Sub-System			
ERP LN	Transmission of the value from the transmission file.		

Position	9	Field Format	an..3	Field Status	C
Field Name	<u>Unit of Measure</u>				
ERP LN	Mapping to ERP LN table field whinh303.cwun after conversion by ERP LN table ecedi304.				

Position	10	Field Format	an7	Field Status	M
Field Name	<u>Data Record end sign</u>				
Description	This field identifies the end of data record in the message block. It contains the constant value 'SA6_END'.				
Processing outgoing EDI Sub-System					
ERP LN	This field will be filled with the constant value 'SA6_END'.				
Processing Incoming EDI Sub-System	This field will be filled with the constant value 'SA6_END'.				
ERP LN	None				

## SA7 Shipment Lines

Status: Mandatory

Frequency: Multiple by ASN number

Description: This data records contain information about the shipped items; it is related to SA2.

Pos	ASN In-house Format				Mapping from Application Table Fields (out)		Mapping to Application Table Fields (in)	
	Field Description	Key	ST	FM	Table field	Action	Table field	Action
1	Kind of data record	O/I	M	an3	SA7		SA7	
2	Message Reference	O/I	M	an..35	ecedi701.bano	Generation (see below)	ecedi702.bano	Generation by EDI Sub-System

Data Record Description by Type of Data Record

ASN In-house Format				Mapping from Application Table Fields (out)	Mapping to Application Table Fields (in)			
3	Net ID of Sender	O/I	M	an..17	ecedi020.neta	Conversion (see below)	ecedi702.bpid	Conversion (see below)
4	Shipment / ASN No.	O/I	M	an..9 an..30	whinh430.shpm		whinh302.asnr	
5	Shipment Position / Reference Line Number		M	n..5 an..16	whinh431.pono		ecedi705.refn	
6	Qualifier Item Code		M	an..3	SA		SA	
7	Item		M	an..9	whinh431.item	Conversion	whinh301.item	Conversion
8	Description of the Item		C	an..30	tcibd001.dsca			
9	Shipped Quantity		M	n..15	whinh431.qshp		whinh301.sqtr	
10	CUM shipped		C	n..15			whinh301.cums	
11	Unit of Measure		M	an..3	whinh431.cuni	Code and Conversion	whinh301.cuni	Code and Conversion
12	Gross Weight		C	an..16	whinh431.grwt		whinh301.grwt	
13	Net Weight		C	an..16	whinh431.ntwt		whinh301.ntwt	
14	Weight Unit		C	an..3	whinh431.cwun	Code and Conversion	whinh301.cwun	Code and Conversion
15								
16	Inventory Unit		C	an..3	tcibd001.cuni	Code and Conversion	empty	



ASN In-house Format		Mapping from Application Table Fields (out)		Mapping to Application Table Fields (in)		
17	Customer's Schedule or Order number	C	an..6	tdsls307.cchn tdsls401.corn	Evaluation ORGPLW <sup>2</sup>	whinh301.worn
18	Customer's Schedule or Order position	C	an..6	tdsls307.cchp tdsls401.corp		whinh301.wpon
19	Customer's Order sequence	C	an..6	tdsls401.cors		whinh301.wsqn
20	Warehouse	M	an..20	tdpur401.cwar	Conversion	
21	Qualifier Address Code	M	an..6	ecedi218.code / ZZ		
22	Item		an..47	whinh431.item		
23	Lot	C	an..20 an..30	whinh431.clot	Conversion	whinh301.clot Conversion
24	Qualifier Lot	C	an..6	"ZZ"		empty
25						
26	Shipping Sequence	C	n..2	whinh220.seqn		whinh210.seqn
27	Effectivity Unit	C	n..10	whinh431.effn		whinh301.effn
28	Serial Number	C	an..30	whinh431.serl		whinh301.serl
29						
30						
31	Reference	C	an..30	whinh431.refe		whinh301.refe

<sup>2</sup> WHSTAD = ASN Ship-to Address

tccom100.inrl = tcyesno.no or (strip(whinh430.stad) <> "" and whinh430.stad <> tccom111.cadr)

Data Record Description by Type of Data Record

ASN In-house Format			Mapping from Application Table Fields (out)	Mapping to Application Table Fields (in)
32	Handling Unit	C an..25	whinh431.huid	whinh301.exhu
33	Parent Serial Number	C an..30	whinh420.pser	whinh301.pser
34	Assembly Kit	C an..15	whinh420.akit	whinh301.akit
35	Job Sequence	C an..30	whinh420.jbsq	whinh301.jbsq
36	Line Station	C an..30	whinh420.lnst	whinh301.lnst
37				
38				
39				
40	Delivery Point	C an..9	whinh431.dlpt	
41	Description I of Delivery Point	C an..35	tccom134.dsca	
42	Description II of Delivery Point	C an..35	tccom134.dsca	
43	Shipment Reference	C an..35	whinh431.refs	
44				
45	Data record end sign	M an..7	SA7_END	SA7_END

Detailed description: ASN  
 Kind of data record: SA7 Shipment Lines

Position	1	Field Format	an3	Field Status	M
Field Name	<u>Kind of Data Record</u>		Key field Out / IN		
Description	This field identifies the kind of data record in the message block. It contains the constant value 'SA7'.				
Processing outgoing EDI Sub-System					
ERP LN	This field will be filled with the constant value 'SA7'.				
Processing Incoming EDI Sub-System	This field will be filled with the constant value 'SA7'.				
ERP LN	None				

Position	2	Field Format	an..35	Field Status	M
Field Name	<u>Message Reference</u>		Key field Out / IN		
Description	This field identifies all connected data records of one ASN. The numbering, which has to be clear by ASN, helps to control the chronological order of the ASNs and the complete transmission.				
Processing outgoing EDI Sub-System					
ERP LN	Refer to data record SA2				
Processing Incoming EDI Sub-System					
ERP LN	Refer to data record SA2				

Position	3	Field Format	an..17	Field Status	M
Field Name	<u>Net ID of sender</u>		Key field Out		
Description	This field contains the identification of the sender (for example the ILN Number)				
Processing outgoing EDI Sub-System	Transmission of the value from the message file.				
ERP LN	Refer to data record SA2				

Data Record Description by Type of Data Record

Position	3	Field Format	an..17	Field Status	M
<b>Field Name</b>	<b><u>Net ID of sender</u></b>		<b>Key field Out</b>		
Processing Incoming EDI Sub-System					
ERP LN	Refer to data record SA2				

Position	4	Field Format	an..9 / an..30	Field Status	M
<b>Field Name</b>	<b><u>Shipment / ASN number</u></b>		<b>Key field Out / In</b>		
Description					
		This field contains the Shipment / Supplier's ASN Number.			
Processing outgoing EDI Sub-System					
ERP LN	Refer to data record SA2.				
Processing Incoming EDI Sub-System					
		.			
ERP LN	Refer to data record SA2				

Position	5	Field Format	n..4/n..9	Field Status	M
<b>Field Name</b>	<b><u>Shipment Position / Reference Line Number</u></b>				
Description					
		This field contains the Shipment / ASN Position Number.			
Processing outgoing EDI Sub-System					
		None			
ERP LN	The Shipment line's number from ERP LN table field whinh431.pono is mapped to this position.				
Processing Incoming EDI Sub-System					
		Transmission of the value from the message file.			
ERP LN	Mapping to ERP LN table field ecedi705.refn				

Position	6	Field Format	an..6	Field Status	C
<b>Field Name</b>	<b><u>Qualifier Item Code</u></b>				
Description					
		This field contains the qualifier for the item code.			

Position	6	Field Format	an..6	Field Status	C
<b>Field Name</b>	<b><u>Qualifier Item Code</u></b>				
Processing outgoing EDI Sub-System	None				
ERP LN	This field will be filled with ecedi011.code, "SA".				
Processing Incoming EDI Sub-System	"SA".				
ERP LN	Used as qualifier for the conversion of the item code.				

Position	7	Field Format	an..47	Field Status	M
<b>Field Name</b>	<b><u>Buyer's Item Code</u></b>				
Description	This field contains the Buyer's item code.				
Processing outgoing EDI Sub-System					
ERP LN	The item code from ERP LN table field whinh431.item is mapped to this position after conversion using the corresponding qualifier in pos. 6.				
Processing Incoming EDI Sub-System	Transmission of the value from the message file.				
ERP LN	Mapping to the ERP LN table field whinh301.item after conversion using the given qualifier of pos. 6.				

Position	8	Field Format	an..30	Field Status	C
<b>Field Name</b>	<b><u>Description of the item</u></b>				
Description	This field contains the description of the item.				
Processing outgoing EDI Sub-System					
ERP LN	The description of the item from ERP LN table field tcibd001.dsca is mapped to this position.				
Processing Incoming EDI Sub-System	Transmission of the value from the message file.				
ERP LN	None				

Data Record Description by Type of Data Record

Position	9	Field Format	n..16	Field Status	M
<b>Field Name</b>	<b><u>Shipped Quantity</u></b>				
Description	The quantity of goods which should actually be shipped Field Format: NNNNNNNNNN.NNNN (11.4).				
Processing outgoing EDI Sub-System					
ERP LN	The shipped quantity from ERP LN table field whinh431.qshp is mapped to this position.				
Processing Incoming EDI Sub-System	Transmission of the value from the message file.				
ERP LN	Mapping to the ERP LN table field whinh301.sqtr.				

Position	10	Field Format	n..16	Field Status	C
<b>Field Name</b>	<b><u>Shipped Cumulative quantity</u></b>				
Description	The total cumulative quantity of purchased goods (CUM shipped) that is shipped by your business partner. Field Format: NNNNNNNNNN.NNNN (11.4).				
Processing outgoing EDI Sub-System					
ERP LN	If Sales Schedules are in use then the CUM shipped from ERP LN table field tdsIs309.shcm is mapped to this position; else the field is empty.				
Processing Incoming EDI Sub-System	Transmission of the value from the message file.				
ERP LN	Mapping to the ERP LN table field whinh301.cum.				

Position	11	Field Format	an..3	Field Status	C
<b>Field Name</b>	<b><u>Unit of Measure</u></b>				
Description	This field contains the unit of shipped and the shipped cumulative quantity.				
Processing outgoing EDI Sub-System					
ERP LN	The unit from ERP LN table field whinh431.cuni is mapped to this position and converted with ERP LN table ecedi442.				

Position	11	Field Format	an..3	Field Status	C
Field Name	<u>Unit of Measure</u>				
Processing Incoming EDI Sub-System	Transmission of the value from the message file.				
ERP LN	Mapping to the ERP LN table field whinh301.cuni and conversion with the table ecedi304 is possible.				

Position	12	Field Format	n..16	Field Status	C
Field Name	<u>Gross Weight</u>				
Description	This field contains the total weight amount of the item.				
Processing outgoing EDI Sub-System					
ERP LN	The unit from ERP LN table field whinh431.grwt is mapped to this position.				
Processing Incoming EDI Sub-System	Transmission of the value from the message file.				
ERP LN	Mapping to the ERP LN table field whinh301.grwt.				

Position	13	Field Format	n..16	Field Status	C
Field Name	<u>Net Weight</u>				
Description	This field contains the net weight of the item.				
Processing outgoing EDI Sub-System					
ERP LN	The unit from ERP LN table field whinh431.ntwt is mapped to this position.				
Processing Incoming EDI Sub-System	Transmission of the value from the message file.				
ERP LN	Mapping to the ERP LN table field whinh301.ntwt.				

Position	14	Field Format	an..3	Field Status	C
Field Name	<u>Weight Unit</u>				
Description	This field contains the corresponding unit of item's gross and net weight.				

Data Record Description by Type of Data Record

Position	14	Field Format	an..3	Field Status	C
<b>Field Name</b>	<b><u>Weight Unit</u></b>				
Processing outgoing EDI Sub-System					
ERP LN	The unit from ERP LN table field whinh431.cwun is mapped to this position and converted with ERP LN table ecedi442.				
Processing Incoming EDI Sub-System	Transmission of the value from the message file.				
ERP LN	Mapping to the ERP LN table field whinh301.cwun and conversion with the table ecedi304 is possible.				

Position	16	Field Format	an..3	Field Status	C
<b>Field Name</b>	<b><u>Inventory Unit</u></b>				
Description	This field contains the corresponding inventory unit of the shipped item.				
Processing outgoing EDI Sub-System					
ERP LN	The unit from ERP LN table field tcibd001.cuni is mapped to this position and converted with ERP LN table ecedi442.				
Processing Incoming EDI Sub-System	Transmission of the value from the message file				
ERP LN	None				

Position	17	Field Format	an..6	Field Status	C
<b>Field Name</b>	<b><u>Customer's Schedule or Order Number</u></b>				
Description	This field contains the schedule number or the customer order number.				
Processing outgoing EDI Sub-System					
ERP LN	The schedule number / customer order number from ERP LN table field tdsls307.cchn / tdsls401.corn is mapped to this position.				
Processing Incoming EDI Sub-System	Transmission of the value from the message file.				



Position	17	Field Format	an..6	Field Status	C
<b>Field Name</b>	<b><u>Customer's Schedule or Order Number</u></b>				
ERP LN	Mapping to the ERP LN table field whinh301.worn.				

Position	18	Field Format	an..6	Field Status	C
<b>Field Name</b>	<b><u>Customer's Schedule or Order Position</u></b>				
Description	This field contains the schedule position or the customer order position.				
Processing outgoing EDI Sub-System					
ERP LN	The schedule or customer order position from ERP LN table field tdsls307.cchp / tdsls401.corp is mapped to this position.				
Processing Incoming EDI Sub-System	Transmission of the value from the message file.				
ERP LN	Mapping to the ERP LN table field whinh301.wpon.				

Position	19	Field Format	an..6	Field Status	C
<b>Field Name</b>	<b><u>Customer's Order Sequence</u></b>				
Description	This field contains the customer order line's sequence.				
Processing outgoing EDI Sub-System					
ERP LN	The customer order line's sequence from ERP LN table field tdsls401.cors is mapped to this position.				
Processing Incoming EDI Sub-System	Transmission of the value from the message file.				
ERP LN	Mapping to the ERP LN table field whinh301.wosqn.				

Position	20	Field Format		Field Status	C
<b>Field Name</b>	<b><u>Warehouse</u></b>				
Description	This position contains the code of the sender's Ship-from Warehouse				

Data Record Description by Type of Data Record

Position	20	Field Format an..20	Field Status	C
<b>Field Name</b>		<b><u>Warehouse</u></b>		
Processing outgoing EDI Sub-System		None		
ERP LN		The Code for the Warehouse from ERP LN table field tdpur401.cwar is converted using the conversion table ecedi463 and the default Qualifier "ZZ", and it is mapped to this position.		
Processing Incoming EDI Sub-System				
ERP LN		N. A.		

Position	21	Field Format an..6	Field Status	C
<b>Field Name</b>		<b><u>Qualifier Address Code</u></b>		
Description		This position is used to store the default qualifier 1 for the Address code which is defined in the message definition. It is used to identify the ship-from Warehouse.		
Processing outgoing EDI Sub-System		None		
ERP LN		The ERP LN table field ecedi218.code referring to the Qualifier Address Code is mapped to this position. Default value is the constant "ZZ"		
Processing Incoming EDI Sub-System				
ERP LN		N. A.		

Position	22	Field Format an..47	Field Status	C
<b>Field Name</b>		<b><u>Item Code</u></b>		
Description		This field contains the supplier's Item code.		
Processing outgoing EDI Sub-System				
ERP LN		The item code from ERP LN table field whinh431.item is mapped to this position.		

Position	22	Field Format	an..47	Field Status	C
<b>Field Name</b>	<b><u>Item Code</u></b>				
Processing Incoming EDI Sub-System					
ERP LN	N.A.				
Position	23	Field Format	an..20 / an..30	Field Status	C
<b>Field Name</b>	<b><u>Lot</u></b>				
Description					
		This field contains the item's lot.			
Processing outgoing EDI Sub-System					
ERP LN	The lot from ERP LN table field whinh431.clot is mapped to this position after conversion by ERP LN table ecedi477 using the qualifier of field 24.				
Processing Incoming EDI Sub-System					
ERP LN	Transmission of the value from the message file.				
ERP LN	Mapping to the ERP LN table field whinh301.clot after conversion by ERP LN table ecedi335 using the qualifier of field 24.				
Position	24	Field Format	an..6	Field Status	C
<b>Field Name</b>	<b><u>Qualifier Lot</u></b>				
Description					
		This field contains the lot identification code related to the BP. This qualifier defines if the code in message is the internal code or the BP code.			
Processing outgoing EDI Sub-System					
ERP LN	"ZZ"				
Processing Incoming EDI Sub-System					
ERP LN	Transmission of the value from the message file.				
ERP LN	None				

Data Record Description by Type of Data Record

Position	26	Field Format	n..2	Field Status	C
<b>Field Name</b>	<b><u>Shipping Sequence</u></b>				
Description	This field contains (OUT) the outbound order line sequence of the shipment or (IN) the inbound order line sequence of the receipt ASN				
Processing outgoing EDI Sub-System					
ERP LN	The outbound order line sequence from ERP LN table field whinh220.seqn is mapped to this position.				
Processing Incoming EDI Sub-System	Transmission of the value from the message file.				
ERP LN	Mapping to the ERP LN table field whinh210.seqn.				

Position	27	Field Format	n..10	Field Status	C
<b>Field Name</b>	<b><u>Effectivity Unit</u></b>				
Description	This field contains the effectivity unit.				
Processing outgoing EDI Sub-System					
ERP LN	The effectivity unit from ERP LN table field whinh431.effn is mapped to this position.				
Processing Incoming EDI Sub-System	Transmission of the value from the message file.				
ERP LN	Mapping to the ERP LN table field whinh301.effn.				

Position	28	Field Format	an..30	Field Status	C
<b>Field Name</b>	<b><u>Serial Number</u></b>				
Description	This field contains the item's serial number.				
Processing outgoing EDI Sub-System					
ERP LN	The serial number from ERP LN table field whinh431.serl is mapped to this position.				
Processing Incoming EDI Sub-System	Transmission of the value from the message file.				
ERP LN	Mapping to the ERP LN table field whinh301.serl				

Position	31	Field Format	an..30	Field Status	C
<b>Field Name</b>	<b><u>Reference</u></b>				
Description	This field contains the line's reference.				
Processing outgoing EDI Sub-System					
ERP LN	The reference from ERP LN table field whinh431.refe is mapped to this position.				
Processing Incoming EDI Sub-System	Transmission of the value from the message file.				
ERP LN	Mapping to the ERP LN table field whinh301.refe				

Position	32	Field Format	an..25	Field Status	C
<b>Field Name</b>	<b><u>Handling Unit</u></b>				
Description	This field contains the Handling Unit Number which is shipped.				
Processing outgoing EDI Sub-System					
ERP LN	The handling unit number from ERP LN table field whinh431.huid is mapped to this position.				
Processing Incoming EDI Sub-System	Transmission of the value from the message file.				
ERP LN	Mapping of the external Handling Unit to the ERP LN table field whinh301.exhu.				

Position	33	Field Format	an..30	Field Status	C
<b>Field Name</b>	<b><u>Parent Serial Number</u></b>				
Description	This field contains the serial number of the parent item for which the shipped item is called off. For example if the item is an assembly part of a car, the parent serial number is the serial number of the car.				
Processing outgoing EDI Sub-System					
ERP LN	The parent serial number from ERP LN table field whinh420.pser is mapped to this position.				

Data Record Description by Type of Data Record

Position	33	Field Format	an..30	Field Status	C
<b>Field Name</b>	<b><u>Parent Serial Number</u></b>				
Processing Incoming EDI Sub-System	Transmission of the value from the message file.				
ERP LN	Mapping to the ERP LN table field whinh301.pser.				

Position	34	Field Format	an..15	Field Status	C
<b>Field Name</b>	<b><u>Assembly Kit</u></b>				
Description	This field contains the assembly kit number to which the item on the ASN belongs.				
Processing outgoing EDI Sub-System					
ERP LN	The number from ERP LN table field whinh420.akit is mapped to this position.				
Processing Incoming EDI Sub-System	Transmission of the value from the message file.				
ERP LN	Mapping to the ERP LN table field whinh301.akit.				

Position	35	Field Format	an..30	Field Status	C
<b>Field Name</b>	<b><u>Job Sequence</u></b>				
Description	This field contains the sequence number of the job for which the goods are required.				
Processing outgoing EDI Sub-System					
ERP LN	The number from ERP LN table field whinh420.jbsq is mapped to this position.				
Processing Incoming EDI Sub-System	Transmission of the value from the message file.				
ERP LN	Mapping to the ERP LN table field whinh301.jbsq.				

Position	36	Field Format	an..30	Field Status	C
<b>Field Name</b>	<b><u>Line Station</u></b>				
Description	This field contains the line station to which the supplier plans to deliver the goods for assembly.				

Position	36	Field Format	an..30	Field Status	C
<b>Field Name</b>	<b><u>Line Station</u></b>				
Processing outgoing EDI Sub-System					
ERP LN	The number from ERP LN table field whinh420.Inst is mapped to this position.				
Processing Incoming EDI Sub-System					
ERP LN	Transmission of the value from the message file.				
ERP LN	Mapping to the ERP LN table field whinh301.Inst.				

Position	40	Field Format	an..9	Field Status	C
<b>Field Name</b>	<b><u>Delivery Point</u></b>				
Description					
This field contains the Delivery Point to which the supplier has to deliver the goods.					
Processing outgoing EDI Sub-System					
ERP LN	The delivery point from ERP LN table field whinh431.dlpt is mapped to this position.				
Processing Incoming EDI Sub-System					
ERP LN	None				

Position	41	Field Format	an..35	Field Status	C
<b>Field Name</b>	<b><u>Description I of the Delivery Point</u></b>				
Description					
This field contains the description I of the delivery point.					
Processing outgoing EDI Sub-System					
ERP LN	The description I of the delivery point from ERP LN table field tccom134.dsca is mapped to this position.				
Processing Incoming EDI Sub-System					
ERP LN	None				

Data Record Description by Type of Data Record

Position	4'2	Field Format	an..35	Field Status	C
<b>Field Name</b>	<b><u>Description II of the Delivery Point</u></b>				
Description	This field contains the description II of the delivery point.				
Processing outgoing EDI Sub-System					
ERP LN	The description II of the delivery point from ERP LN table field tccom134.dscb is mapped to this position.				
Processing Incoming EDI Sub-System					
ERP LN	None				

Position	43	Field Format	an..35	Field Status	C
<b>Field Name</b>	<b><u>Shipment Reference</u></b>				
Description	This field contains the line's shipment reference.				
Processing outgoing EDI Sub-System					
ERP LN	The shipment reference from ERP LN table field whinh431.refs is mapped to this position.				
Processing Incoming EDI Sub-System					
ERP LN	None				

Position	45	Field Format	an7	Field Status	M
<b>Field Name</b>	<b><u>Data Record end sign</u></b>				
Description	This field identifies the end of data record in the message block. It contains the constant value 'SA7_END'.				
Processing outgoing EDI Sub-System					
ERP LN	This field will be filled with the constant value 'SA7_END'.				
Processing Incoming EDI Sub-System	This field will be filled with the constant value 'SA7_END'.				
ERP LN	None				



## SA8 Shipment Line Serials

Status: Conditional

Frequency: Multiple by ASN

Description: This data record contains the item's serials and is related to SA7.

ASN In-house Format					Mapping from Application Table Fields (out)	Mapping to Application Table Fields (in)		
Pos	Field Description	Key	ST	FM	Table field	Action	Table field	Action
1	Kind of data record	O/I	M	an3	SA8		SA8	
2	Message Reference	O/I	M	an..35	ecedi701.bano	Generation (see below)	ecedi702.bano	Generation by EDI Sub-System
3	Net ID of Sender	O/I	M	an..17	ecedi020.neta	Conversion (see below)	ecedi702.bpid	Conversion (see below)
4	Shipment / ASN No.	O/I	M	an..9 an..30	whinh430.shpm		whinh302.asnr	
5	Shipment Position / Reference Line Number	O/I	M	n..5 an..16	whinh431.pono		ecedi705.refn	
6	Distribution Sequence		C	n..5 an..11	whinh433.dssq			
7	Serial Number		C	an..30	whinh433.cser		whinh305.cser	
8	Lot		C	an..20 an..30	whinh433.clot	Conversion	whinh305.clot	
9								
10	Quantity Shipped		C	n..6	whinh433.qshs		whinh305.qspu	
11	Storage Unit/ Shipped Unit		C	an..3	whinh433.cuni	Code and Conversion	whinh305.ushp	Code and Conversion

Data Record Description by Type of Data Record

ASN In-house Format					Mapping from Application Table Fields (out)	Mapping to Application Table Fields (in)
12	Data Record End Sign	O/I	M	an7	SA8_END	SA8_END

Detailed description: ASN

Kind of data record: SA8 Shipment Line Serials

Position	1	Field Format	an3	Field Status	M
Field Name	<u>Kind of Data Record</u>		Key field Out / IN		

Description This field identifies the kind of data record in the message block. It contains the constant value 'SA8'.

Processing outgoing EDI Sub-System

ERP LN This field will be filled with the constant value 'SA8'.

Processing Incoming EDI Sub-System

This field will be filled with the constant value 'SA8'.

ERP LN None

Position	2	Field Format	an..35	Field Status	M
Field Name	<u>Message Reference</u>		Key field Out / IN		

Description This field identifies all connected data records of one ASN. The numbering, which has to be clear by ASN, helps to control the chronological order of the ASNs and the complete transmission.

Processing outgoing EDI Sub-System

ERP LN Refer to data record SA7

Processing Incoming EDI Sub-System

ERP LN Refer to data record SA7

<b>Position</b>	<b>3</b>	<b>Field Format</b>	<b>an..17</b>	<b>Field Status</b>	<b>M</b>
<b>Field Name</b>		<b><u>Net ID of sender</u></b>		<b>Key field Out / In</b>	
Description		This field contains the identification of the sender (for example the ILN Number)			
Processing outgoing EDI Sub-System		Transmission of the value from the message file.			
ERP LN		Refer to data record SA7			
Processing Incoming EDI Sub-System					
ERP LN		Refer to data record SA7			

<b>Position</b>	<b>4</b>	<b>Field Format</b>	<b>an..9 / an..30</b>	<b>Field Status</b>	<b>M</b>
<b>Field Name</b>		<b><u>Shipment / ASN number</u></b>		<b>Key field Out / In</b>	
Description		This field contains the Shipment / Supplier's ASN Number.			
Processing outgoing EDI Sub-System					
ERP LN		Refer to data record SA7.			
Processing Incoming EDI Sub-System		.			
ERP LN		Refer to data record SA7			

<b>Position</b>	<b>5</b>	<b>Field Format</b>	<b>n..4/n..9</b>	<b>Field Status</b>	<b>M</b>
<b>Field Name</b>		<b><u>Shipment Position / Reference Line Number</u></b>		<b>Key field Out / In</b>	
Description		This field contains the Shipment / ASN Position Number.			
Processing outgoing EDI Sub-System		None			
ERP LN		The purchase order line's number from ERP LN table field whinh431.pono is mapped to this position.			
Processing Incoming EDI Sub-System		Transmission of the value from the message file.			
ERP LN		Mapping to ERP LN table field ecedi705.refn			

Position	6	Field Format	n..5	Field Status	C
<b>Field Name</b>	<b><u>Distribution Sequence</u></b>				
Description	This field contains the Sequence number in the distribution table.				
Processing outgoing EDI Sub-System					
ERP LN	The reference from ERP LN table field whinh433.cser is mapped to this position.				
Processing Incoming EDI Sub-System	Transmission of the value from the message file.				
ERP LN	Mapping to the ERP LN table field whinh305.cser				

Position	7	Field Format	an..30	Field Status	C
<b>Field Name</b>	<b><u>Serial Number</u></b>				
Description	This field contains the item's Serial Number.				
Processing outgoing EDI Sub-System					
ERP LN	The reference from ERP LN table field whinh433.cser is mapped to this position.				
Processing Incoming EDI Sub-System	Transmission of the value from the message file.				
ERP LN	Mapping to the ERP LN table field whinh305.cser				

Position	8	Field Format	an..20 / an..30	Field Status	C
<b>Field Name</b>	<b><u>Lot</u></b>				
Description	This field contains the item's lot.				
Processing outgoing EDI Sub-System					
ERP LN	The lot from ERP LN table field whinh433.clot is mapped to this position after conversion by ERP LN table ecedi477 using the qualifier of field 9.				
Processing Incoming EDI Sub-System	Transmission of the value from the message file.				

<b>Position</b>	<b>8</b>	<b>Field Format</b>	<b>an..20 / an..30</b>	<b>Field Status</b>	<b>C</b>
<b>Field Name</b>	<b><u>Lot</u></b>				
ERP LN	Mapping to the ERP LN table field whinh305.clot.				

<b>Position</b>	<b>10</b>	<b>Field Format</b>	<b>n..16</b>	<b>Field Status</b>	<b>M</b>
<b>Field Name</b>	<b><u>Shipped Quantity</u></b>				
Description	The quantity of goods which should be shipped or receipt per serial number.				
Processing outgoing EDI Sub-System					
ERP LN	The shipped quantity from ERP LN table field whinh433.qshs is mapped to this position.				
Processing Incoming EDI Sub-System	Transmission of the value from the message file.				
ERP LN	Mapping to the ERP LN table field whinh305.qspu				

<b>Position</b>	<b>11</b>	<b>Field Format</b>	<b>an..3</b>	<b>Field Status</b>	<b>C</b>
<b>Field Name</b>	<b><u>Storage / Shipped Unit</u></b>				
Description	This field contains the unit of stored / shipped quantity.				
Processing outgoing EDI Sub-System					
ERP LN	The unit from ERP LN table field whinh433.cuni is mapped to this position and converted with ERP LN table ecedi442.				
Processing Incoming EDI Sub-System	Transmission of the value from the message file.				
ERP LN	Mapping to the ERP LN table field whinh305.ushp and conversion with the table ecedi304 is possible.				

<b>Position</b>	<b>12</b>	<b>Field Format</b>	<b>an7</b>	<b>Field Status</b>	<b>M</b>
<b>Field Name</b>	<b><u>Data Record end sign</u></b>				
Description	This field identifies the end of data record in the message block. It contains the constant value 'SA8_END'.				

Position	12	Field Format	an7	Field Status	M
<b>Field Name</b>	<b><u>Data Record end sign</u></b>				
Processing outgoing EDI Sub-System					
ERP LN	This field will be filled with the constant value 'SA8_END'.				
Processing Incoming EDI Sub-System					
ERP LN	None				

## SA9 Packaging Structure (out) / Item Load Structure (in)

Status: Mandatory (out) / Conditional (in)

Frequency: Multiple by Shipment Line

Description: This data record contains the packaging information of the Shipment / ASN line and is related to SA7.

Pos	ASN In-house Format				Mapping from Application Table Fields (out)		Mapping to Application Table Fields (in)	
	Field Description	Key	ST	FM	Table field	Action	Table field	Action
1	Kind of data record	O/I	M	an3	SA9		SA9	
2	Message Reference	O/I	M	an..35	ecedi701.bano	Generation (see below)	ecedi702.bano	Generation by EDI Sub-System
3	Net ID of Sender	O/I	M	an..17	ecedi020.neta	Conversion (see below)	ecedi702.bpid	Conversion (see below)
4	Shipment / ASN No.	O/I	M	an..9 an..30	whinh430.shpm		whinh302.asnr	
5	Shipment Position / Reference Line Number	O/I	M	n..5 an..16	whinh431.pono		ecedi705.refn	

ASN In-house Format			Mapping from Application Table Fields (out)	Mapping to Application Table Fields (in)
6	Quantity Shipped	M	an..16 whinh436.qshr	whinh317.ncon
7	Each containing Quantity	M	an..16 empty	whinh317.nupc
8	Storage Unit / Packaging Unit	M	an..3 whinh436.cuni Conversion	whinh317.pkcd Conversion
9	Data Record End Sign	O/I M	an7 SA9_END	SA9_END

Detailed description: ASN

Kind of data record: SA9 Packaging Structure / Item Load Structure

Position	1	Field Format	an3	Field Status	M
Field Name	<u>Kind of Data Record</u>		Key field Out / IN		
Description	This field identifies the kind of data record in the message block. It contains the constant value 'SA9'.				
Processing outgoing EDI Sub-System					
ERP LN	This field will be filled with the constant value 'SA9'.				
Processing Incoming EDI Sub-System	This field will be filled with the constant value 'SA9'.				
ERP LN	None				

Position	2	Field Format	an..35	Field Status	M
Field Name	<u>Message Reference</u>		Key field Out / IN		
Description	This field identifies all connected data records of one ASN. The numbering, which has to be clear by ASN, helps to control the chronological order of the ASNs and the complete transmission.				
Processing outgoing EDI Sub-System					

Data Record Description by Type of Data Record

Position	2	Field Format	an..35	Field Status	M
Field Name	<u>Message Reference</u>		Key field Out / IN		

ERP LN Refer to data record SA7

Processing Incoming  
EDI Sub-System

ERP LN Refer to data record SA7

Position	3	Field Format	an..17	Field Status	M
Field Name	<u>Net ID of sender</u>		Key field Out / In		

Description This field contains the identification of the sender (for example the ILN Number)

Processing outgoing  
EDI Sub-System Transmission of the value from the message file.

ERP LN Refer to data record SA7

Processing Incoming  
EDI Sub-System

ERP LN Refer to data record SA7

Position	4	Field Format	an..9 / an..30	Field Status	M
Field Name	<u>Shipment / ASN number</u>		Key field Out / In		

Description This field contains the Shipment / Supplier's ASN Number.

Processing outgoing  
EDI Sub-System

ERP LN Refer to data record SA7.

Processing Incoming  
EDI Sub-System

ERP LN Refer to data record SA7



<b>Position</b>	<b>5</b>	<b>Field Format</b>	<b>Field Status</b>	<b>M</b>
<b>Field Name</b>		<b><u>Shipment Position / Reference Line Number</u></b>	<b>Key field Out / In</b>	
Description		This field contains the Shipment / ASN Position Number.		
Processing outgoing EDI Sub-System		None		
ERP LN		Refer to data record SA7		
Processing Incoming EDI Sub-System				
ERP LN		Refer to data record SA7		

<b>Position</b>	<b>6</b>	<b>Field Format</b>	<b>n..16</b>	<b>Field Status</b>	<b>M</b>
<b>Field Name</b>		<b><u>Shipped Quantity</u></b>			
Description		The field contains (OUT) the quantity of shipped items referring to the storage unit (IN) the number of packaging units.			
Processing outgoing EDI Sub-System					
ERP LN		The shipped quantity from ERP LN table field whinh436.qshr is mapped to this position.			
Processing Incoming EDI Sub-System		Transmission of the value from the message file.			
ERP LN		Mapping to the ERP LN table field whinh317.ncon.			

<b>Position</b>	<b>7</b>	<b>Field Format</b>	<b>n..16</b>	<b>Field Status</b>	<b>M</b>
<b>Field Name</b>		<b><u>Each containing quantity</u></b>			
Description		The quantity of shipped goods in inventory unit referring to one packaging unit.			
Processing outgoing EDI Sub-System					
ERP LN		None			
Processing Incoming EDI Sub-System		Transmission of the value from the message file.			

Data Record Description by Type of Data Record

Position	7	Field Format	n..16	Field Status	M
<b>Field Name</b>	<b><u>Each containing quantity</u></b>				

ERP LN Mapping to the ERP LN table field whinh317.nupc.

Position	8	Field Format	an..3	Field Status	C
<b>Field Name</b>	<b><u>Unit of Measure</u></b>				

Description This field contains the storage unit (OUT) and the unit of packaging for this line (IN / for example pallet or box.)

Processing outgoing  
EDI Sub-System

ERP LN The unit from ERP LN table field whinh436.cuni is mapped to this position and converted with ERP LN table ecedi442.

Processing Incoming  
EDI Sub-System

Transmission of the value from the message file.

ERP LN Mapping to the ERP LN table field whinh317.pkcd and conversion with the table ecedi304 is possible.

Position	9	Field Format	an7	Field Status	M
<b>Field Name</b>	<b><u>Data Record end sign</u></b>				

Description This field identifies the end of data record in the message block. It contains the constant value 'SA9\_END'.

Processing outgoing  
EDI Sub-System

ERP LN This field will be filled with the constant value 'SA9\_END'.

Processing Incoming  
EDI Sub-System

This field will be filled with the constant value 'SA9\_END'.

ERP LN None

## SA10 Shipment Lines Text

Status: Conditional

Frequency: Multiple by ASN

Description: This data record contains the text information of the Shipment line and is related to SA7.

ASN In-house Format					Mapping from Application Table Fields (out)	Mapping to Application Table Fields (in)		
Pos	Field Description	Key	ST	FM	Table field	Action	Table field	Action
1	Kind of data record	O/I	M	an3	SA10		SA10	
2	Message Reference	O/I	M	an..35	ecedi701.bano	Generation (see below)	ecedi702.bano	Generation by EDI Sub-System
3	Net ID of Sender	O/I	M	an..17	ecedi020.neta	Conversion (see below)	ecedi702.bpid	Conversion (see below)
4	Shipment / ASN No.	O/I	M	an..9 an..30	whinh430.shpm		whinh302.asnr	
5	Shipment Position / Reference Line Number	O/I	M	n..5 an..16	whinh431.pono		ecedi705.refn	
6	Free text 1		C	an..70	whin431.text		whinh301.text	
7	Free text 2		C	an..70			whinh301.text	
8	Data Record End Sign	O/I	M	an7	SA10_END		SA10_END	

Data Record Description by Type of Data Record

Detailed description: ASN  
 Kind of data record: SA10 Shipment Line Text

Position	1	Field Format	an3	Field Status	M
Field Name	<u>Kind of Data Record</u>		Key field Out / IN		

Description This field identifies the kind of data record in the message block. It contains the constant value 'SA10'.

Processing outgoing  
 EDI Sub-System

ERP LN This field will be filled with the constant value 'SA10'.

Processing Incoming  
 EDI Sub-System

This field will be filled with the constant value 'SA10'.

ERP LN None

Position	2	Field Format	an..35	Field Status	M
Field Name	<u>Message Reference</u>		Key field Out / IN		

Description This field identifies all connected data records of one ASN. The numbering, which has to be clear by ASN, helps to control the chronological order of the ASNs and the complete transmission.

Processing outgoing  
 EDI Sub-System

ERP LN Refer to data record SA7

Processing Incoming  
 EDI Sub-System

ERP LN Refer to data record SA7

Position	3	Field Format	an..17	Field Status	M
Field Name	<u>Net ID of sender</u>		Key field Out / In		

Description This field contains the identification of the sender (for example the ILN Number)

Processing outgoing  
 EDI Sub-System

Transmission of the value from the message file.

ERP LN Refer to data record SA7

Position	3	Field Format	an..17	Field Status	M
Field Name	<u>Net ID of sender</u>		Key field Out / In		
Processing Incoming EDI Sub-System					
ERP LN	Refer to data record SA7				

Position	4	Field Format	an..9 / an..30	Field Status	M
Field Name	<u>Shipment / ASN number</u>		Key field Out / In		
Description					
		This field contains the Shipment / Supplier's ASN Number.			
Processing outgoing EDI Sub-System					
ERP LN	Refer to data record SA7.				
Processing Incoming EDI Sub-System					
ERP LN	Refer to data record SA7				

Position	5	Field Format	n..4/n..9	Field Status	M
Field Name	<u>Shipment Position / Reference Line Number</u>		Key field Out / In		
Description					
		This field contains the Shipment / ASN Position Number.			
Processing outgoing EDI Sub-System					
ERP LN	None				
ERP LN	Refer to data record SA7				
Processing Incoming EDI Sub-System					
ERP LN	Refer to data record SA7				

Data Record Description by Type of Data Record

<b>Position</b>	<b>6</b>	<b>Field Format</b>	<b>Field Status</b>	<b>C</b>
<b>Field Name</b>	<b><u>Line Text 1</u></b>			
Description	This field contains a free text 1 with a maximum of 70 characters.			
Processing outgoing EDI Sub-System				
ERP LN	Mapping of ERP LN table field whinh431.text to position.			
Processing Incoming EDI Sub-System	Transmission of the value from the transmission file.			
ERP LN	Mapping to ERP LN table field whinh301.text			

<b>Position</b>	<b>7</b>	<b>Field Format</b>	<b>Field Status</b>	<b>C</b>
<b>Field Name</b>	<b><u>Line Text 2</u></b>		<b>Key field</b>	
Description	This field contains a free text 2 with a maximum of 70 characters.			
Processing outgoing EDI Sub-System				
ERP LN	None			
Processing Incoming EDI Sub-System	Transmission of the value from the transmission file.			
ERP LN	Mapping to ERP LN table field whinh301.text			

<b>Position</b>	<b>9</b>	<b>Field Format</b>	<b>an7</b>	<b>Field Status</b>	<b>M</b>
<b>Field Name</b>	<b><u>Data Record end sign</u></b>				
Description	This field identifies the end of data record in the message block. It contains the constant value 'SA10_END'.				
Processing outgoing EDI Sub-System					
ERP LN	This field will be filled with the constant value 'SA10_END'.				
Processing Incoming EDI Sub-System	This field will be filled with the constant value 'SA10_END'.				
ERP LN	None				

## Chapter 3 Definitions, Acronyms, and Abbreviations

# 3

Term	Description
ANSI X12	American National Standards Institute Accredited Standards Committee X12; Standard definitions of American EDI Directories
ASCII	American Standard Code for Information Interchange
ASN	Advanced Shipment Notification
BEM	Baan Electronic Message - abbreviated form of BEMIS used with the definition of the EDI organization
BEMIS	“BAAN Electronic Message Interchange System”; it is used for the ERP LN In-house EDI format
BP	Business Partner; used for Customer and Supplier
CUM	Cumulated Quantity
EDI	Electronic Data Interchange; electronic exchange of documents in standard formats
EDIFACT	Electronic Data Interchange for Administration, Commerce and Transport; Standard definitions of United Nations Directories
GLN	Global Location Number, a thirteen digit number used to identify legal entities, trading parties and locations.
ID	Identification
ILN	International Location Number; see GLN
VDA	The German Association of the Automotive Industry; Standard definitions of German EDI Directories







